

Point #	Nothing	Lasting
110	1,762.119	1,762.128
111	1,762.119	1,762.119
112	1,015.168	1,015.110
113	1,712.927	1,712.927

- LAS VEGAS VALLEY WATER DISTRICT NOTES
1. ALL WORK TO CONFORM TO LAS VEGAS VALLEY WATER DISTRICT STANDARD PRACTICES.
 2. ALL WORK, EXCEPT AS MODIFIED HEREIN OR BY NOTE NO. 1, SHALL BE DONE IN ACCORDANCE WITH THE MOST CURRENT DRAFT OR EDITION OF UNIFORM STANDARD SPECIFICATIONS FOR PUBLIC WORKS CONSTRUCTION OFF-SITE IMPROVEMENTS, CLARK COUNTY AREA.
 3. NOTICE TO BE GIVEN ENGINEERING DEPARTMENT OF THE LAS VEGAS VALLEY WATER DISTRICT 48 HOURS PRIOR TO ACTUAL CONSTRUCTION.
 4. SERVICE SADDLES WILL BE REQUIRED ON ALL SERVICES 1 1/2" AND LARGER. TAPPED COLLARS ARE PERMITTED ON 1" AND SMALLER. DOUBLE TAP COLLARS ARE NOT PERMITTED.
 5. ALL LINES TO BE PRESSURE TESTED TO 200 PSI.
 6. DEFLECTION ANGLE SHALL NOT EXCEED 24 DEGREES PER 13 FOOT SECTION OF PIPE FOR PIPE SIZES SMALLER THAN 14" AND 16".
 7. ALL METERS SHALL BE LOCATED OUTSIDE OF DRIVEWAYS.
 8. SERVICE LATERALS FOR LOTS WILL BE TAPPED ON EXISTING MAIN BY OWNER'S CONTRACTOR UNDER DIRECTION OF THE LAS VEGAS VALLEY WATER DISTRICT.
 9. DETECTOR TAP REQUIRED IN ACCORDANCE WITH STANDARD PRACTICE NO. 27 WHERE INDICATED AND AS FOLLOWS:
 - A. OVER ALL MAINS NOT INSTALLED AT 6 FEET FROM BACK OF CURB.
 - B. OVER ALL SERVICE LATERALS NOT INSTALLED AT RIGHT ANGLES TO MAINS.
 10. ALL VALVE BOXES SHALL HAVE CONCRETE COLLARS AT SURFACE OF PAVED AREAS.
 11. INITIAL SERVICE LATERALS PER LUMEN STD. PLATE 1 OR 1A.
 12. UNMARKED PIPE MEANS FOR THIS PROJECT ARE:
 - RENEWED CHARGE ---
 - RENEWED CHARGE ---
 - RENEWED CHARGE ---
 13. CALL BEFORE YOU DIG-1-800-227-2600.

CLV STREET LIGHT NOTES

ALL CONSTRUCTION SHALL CONFORM TO THE LATEST ISSUE OF THE STANDARD DETAILS AND SPECIFICATIONS OF THE CITY OF LAS VEGAS, AND SHALL ALSO CONFORM TO THE UNIFORM STANDARD SPECIFICATIONS FOR PUBLIC WORKS CONSTRUCTION OF OFF-SITE IMPROVEMENTS, CLARK COUNTY AREA, 1978, UNLESS OTHERWISE NOTED.

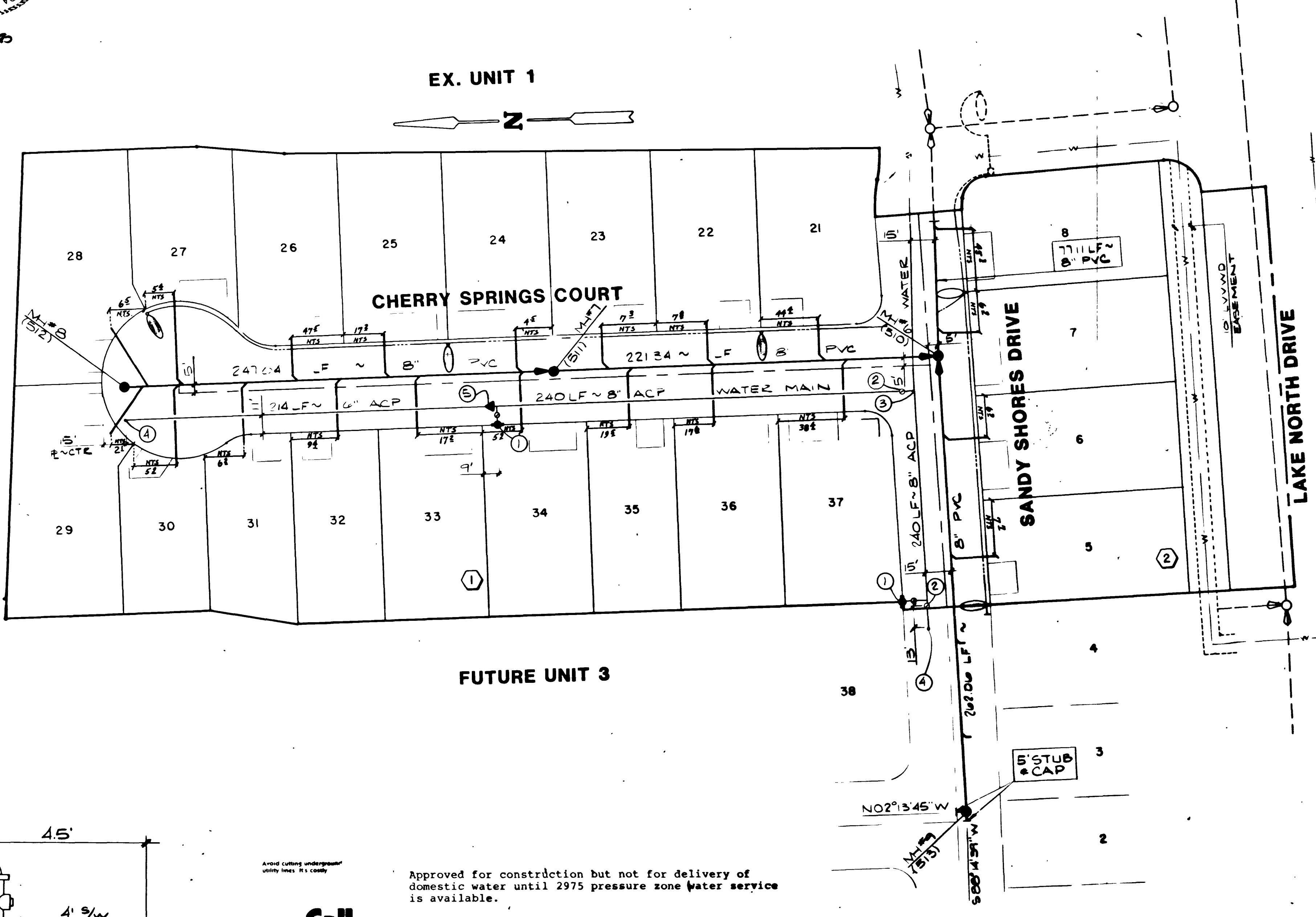
- CLV GENERAL NOTES
1. BUILDING SERVICES SHALL COMPLY WITH WESTERN PLUMBING CODE AS TO SEPARATION DISTANCE.
 2. ALL BUILDINGS TO BE SERVED INDIVIDUALLY AS PER SECTION 113 OF THE UNIFORM PLUMBING CODE.
 3. CONTRACTOR SHALL FURNISH THE ENGINEER WITH AS-BUILT DRAWINGS SHOWING THE EXACT LOCATIONS OF ALL BUILDING CONNECTIONS.
 4. CONCRETE COLLARS TO BE CONSTRUCTED AROUND ALL MANHOLES AND WATER VALVES.
 5. CHISEL "S" OR "C" WHEREVER SEWER OR GAS LINES UNDER CURB.

SEWER LATERAL "AS-BUILT" CERTIFICATION

GENE D. KRAMETBAUER, R.L.S.
NEVADA CERT. NO. 8201

DATE

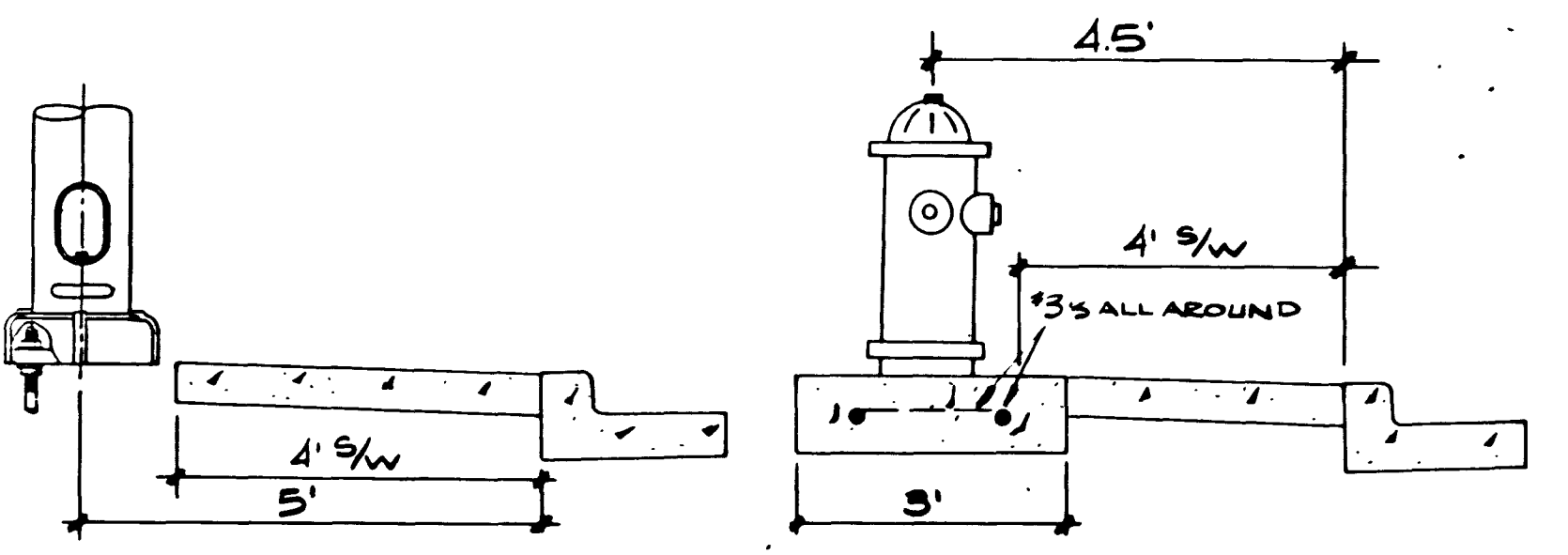
3/2/86



LEGEND & QUANTITY ESTIMATE

WATER	
○ FIRE HYDRANT ASSY. +	2 EA.
⊙ 8" GATE VALVE	2 EA.
⊙ 8" TEE	1 EA.
⊙ 2" P/G ASSY	2 EA.
⊙ 8" x 6" REDUCER	1 EA.
3/4" SERVICE	21 EA.
3/8" METER	21 EA.
8" ACP WATER MAIN	480 LF.
6" ACP WATER MAIN	214 LF.
SEWER	
● STD. MANHOLE	4 EA.
8" PVC SEWER MAIN	818 LF.
4" SEWER LATERAL	675 LF.
WYES	23 EA.
STREET LIGHT	
100 W HPS BELL AT JUNCTION WHITE BASE EXISTING	5 EA.
UG CONDUIT (1/4")	600 LF.
UNIT REFLECTOR FROM UNIT #1	
STOP SIGN	
6" STREET SIGN DRIVEWAY	1 EA.

<i>George Anis</i>	11-21-86
C.L.V. ELECTRICAL SUPERVISOR	DATE
<i>Ernest Rogers</i>	11/19/86
C.L.V. ELECTRICAL COORDINATOR	DATE
<i>R.L. Austin</i>	11-24-86
C.L.V. SANITATION SUPERVISOR	DATE
<i>Raymond R. Pugh</i>	12/6/86
C.L.V. FIRE MARSHAL	DATE
SEE COVER SHEET	
C.L.V. CHIEF LAND DEVELOPMENT	DATE
L.V.V.W.D.	DATE
<i>Rich Zelt</i>	10/23/86
NEVADA POWER CO.	DATE



Approved for construction but not for delivery of domestic water until 2975 pressure zone water service is available.

Dave Druille 11/20/86
Las Vegas Valley Water District Date

1-800-227-2600

Charley Johnson
11/17/86

PLANNERS - CONSULTING ENGINEERS
2300 PASEO DEL PRADO BUILDING A SUITE 100
LAS VEGAS, NEVADA 89102 PHONE (702) 873-7550

vtm nevada

MASTER UTILITY PLAN
STYLE AT THE LAKES
UNIT 2

NO. 3407-2
BY SCD
DATE
SCALE 1" = 40'
DRAWING NO. 301V-2931-2
SHEET
4
OF 5 SHEETS

