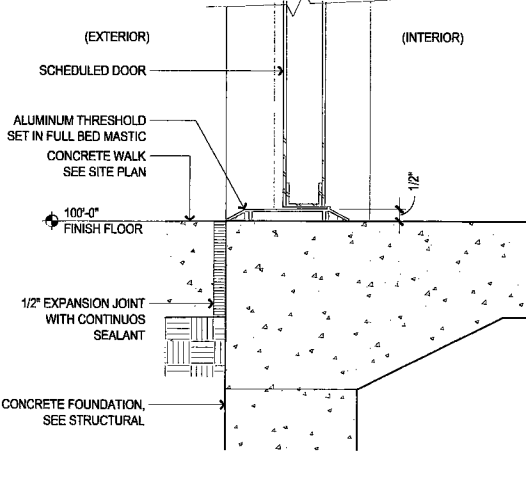
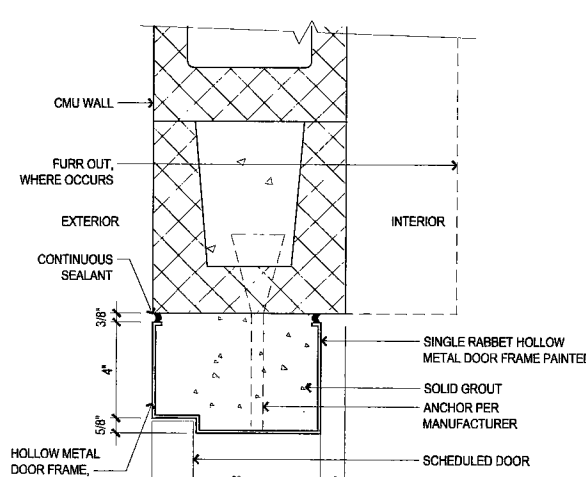


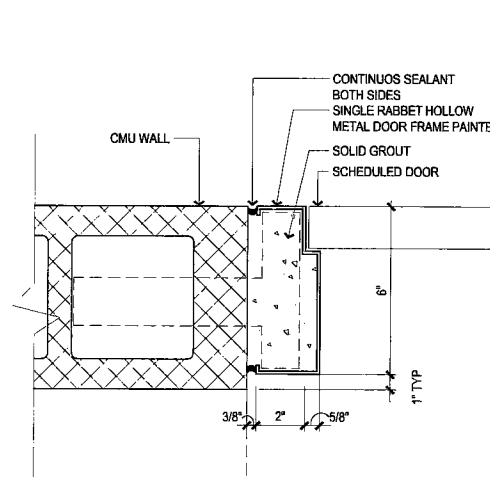
A1 STOREFRONT DOOR THRESHOLD
3" = 1'-0"



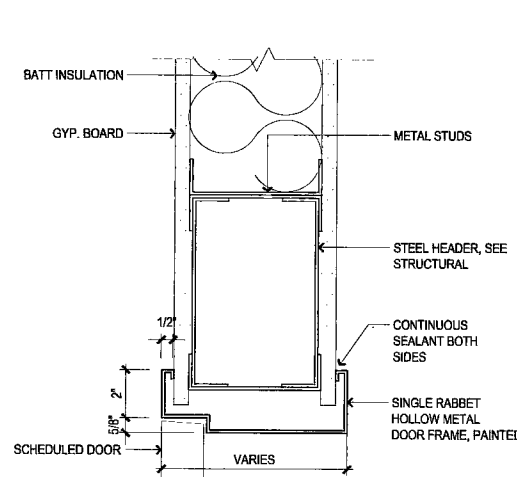
A2 HOLLOW METAL DOOR THRESHOLD
3" = 1'-0"



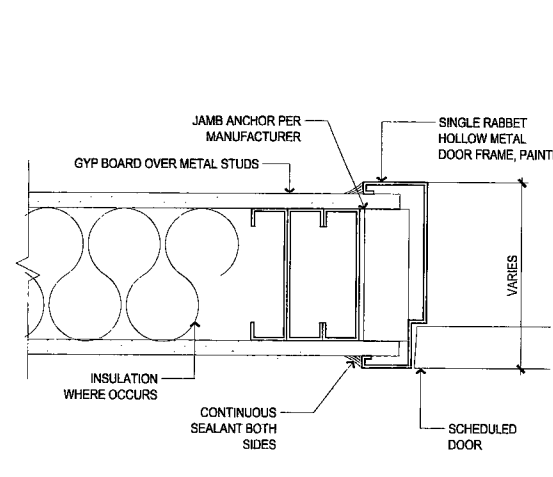
A3 HOLLOW METAL DOOR HEAD
3" = 1'-0"



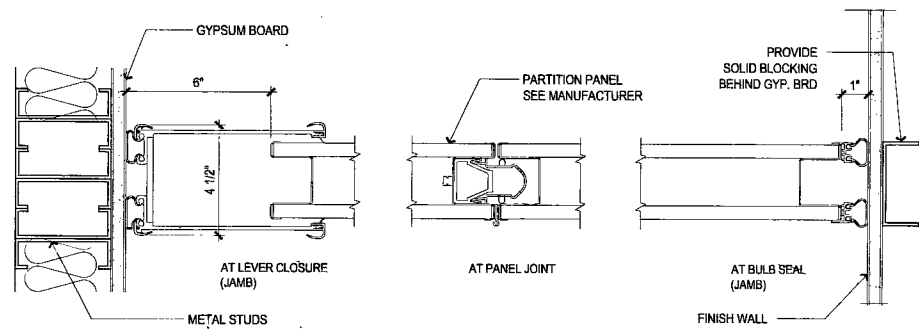
A4 HOLLOW METAL DOOR JAMB
3" = 1'-0"



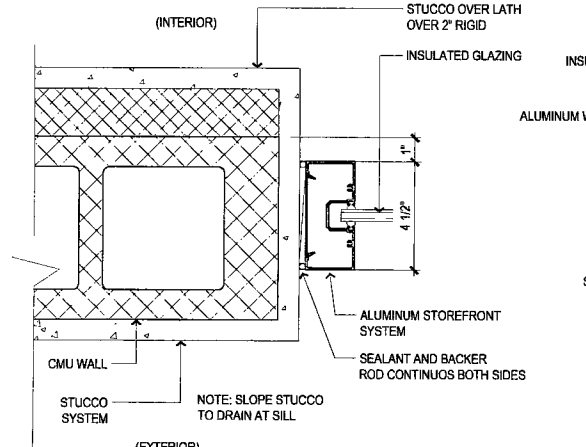
A5 HOLLOW METAL DOOR HEAD
3" = 1'-0"



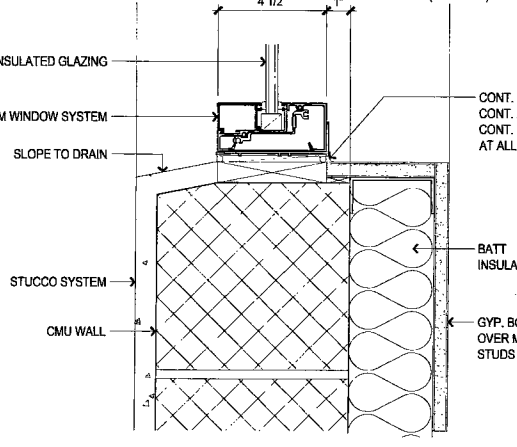
A6 HOLLOW METAL DOOR JAMB
3" = 1'-0"



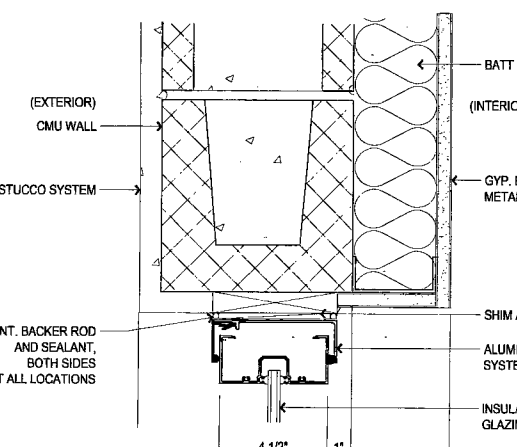
B1 OPERABLE PANEL PLAN DETAIL
3" = 1'-0"



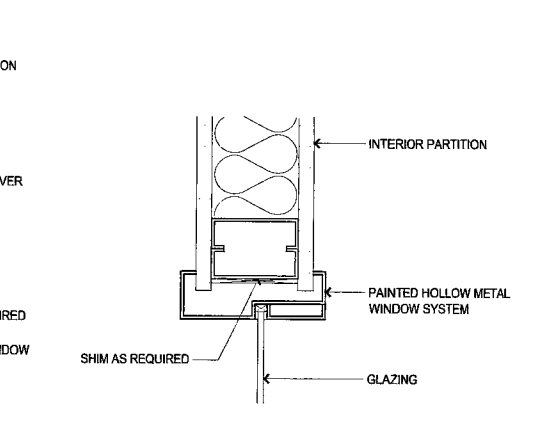
B3 ALUMINUM WINDOW SYSTEM JAMB/HEAD/SILL
3" = 1'-0"



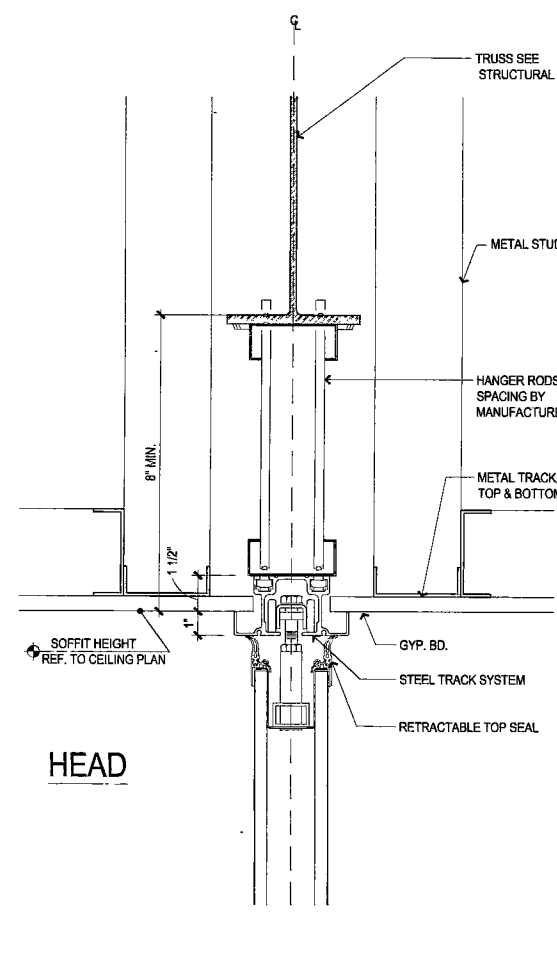
B4 ALUMINUM WINDOW SYSTEM SILL
3" = 1'-0"



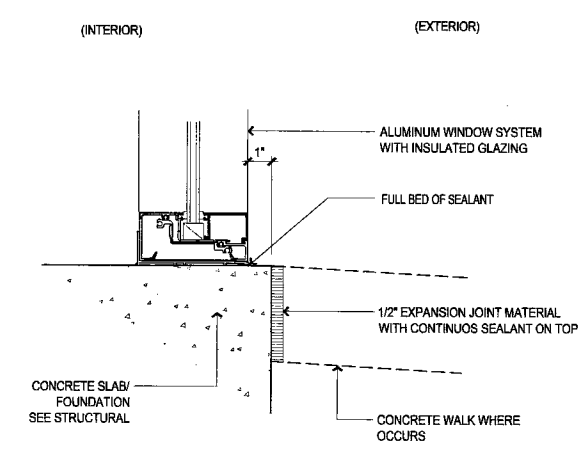
B5 ALUMINUM WINDOW SYSTEM HEAD/JAMB
3" = 1'-0"



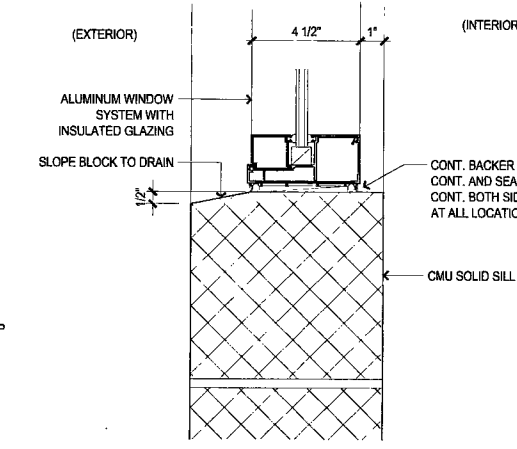
B6 HOLLOW METAL WINDOW HEAD/JAMB/SILL
3" = 1'-0"



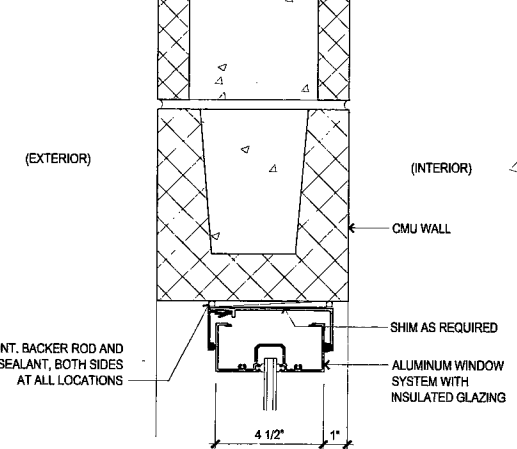
C2 ALUMINUM WINDOW SYSTEM JAMB
3" = 1'-0"



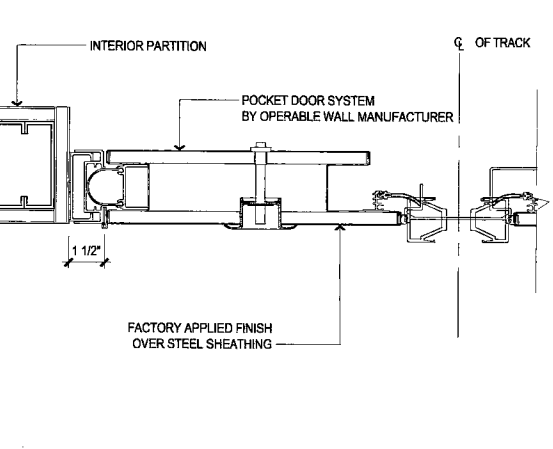
C3 ALUMINUM WINDOW SYSTEM SILL
3" = 1'-0"



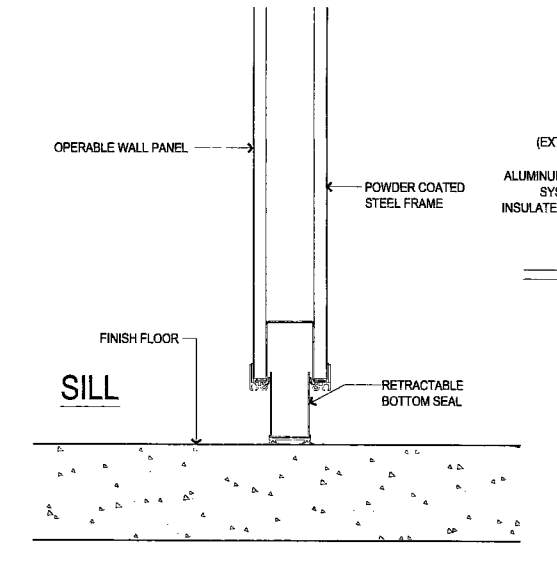
C4 ALUMINUM WINDOW SYSTEM SILL
3" = 1'-0"



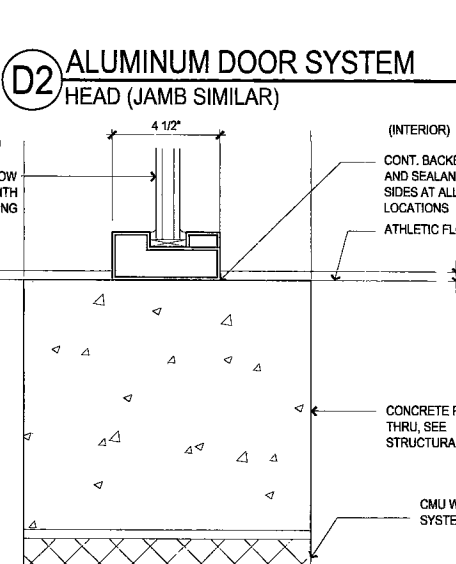
C5 ALUMINUM WINDOW SYSTEM HEAD (JAMB SIMILAR)
3" = 1'-0"



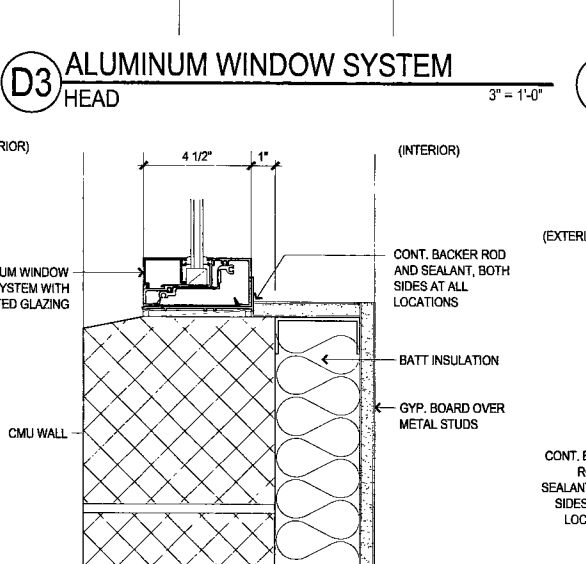
C6 POCKET DOOR JAMB
3" = 1'-0"



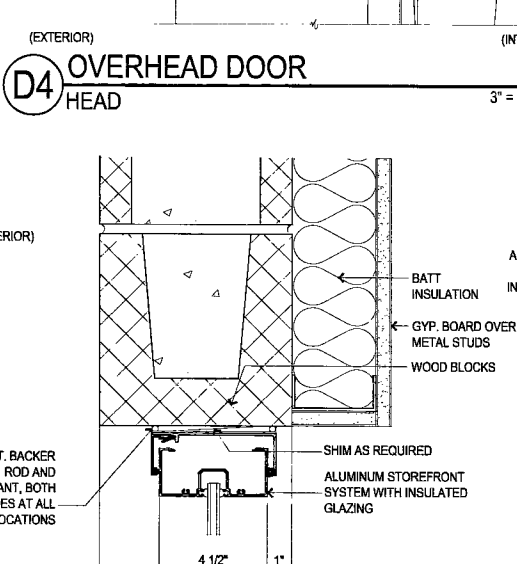
E1 OPERABLE PANEL DETAIL AT HEAD/SILL
3" = 1'-0"



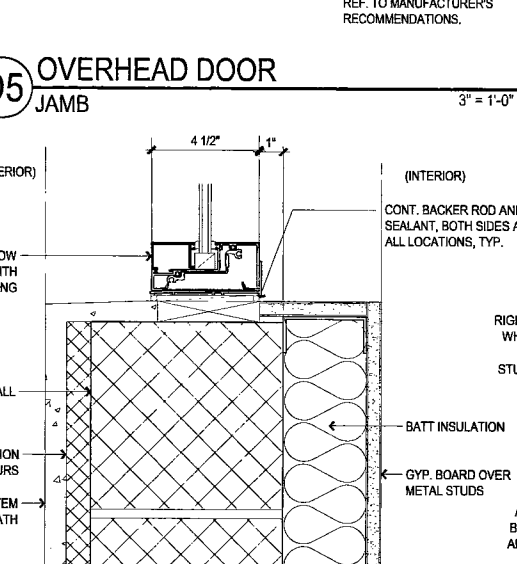
E2 ALUMINUM WINDOW SYSTEM SILL
3" = 1'-0"



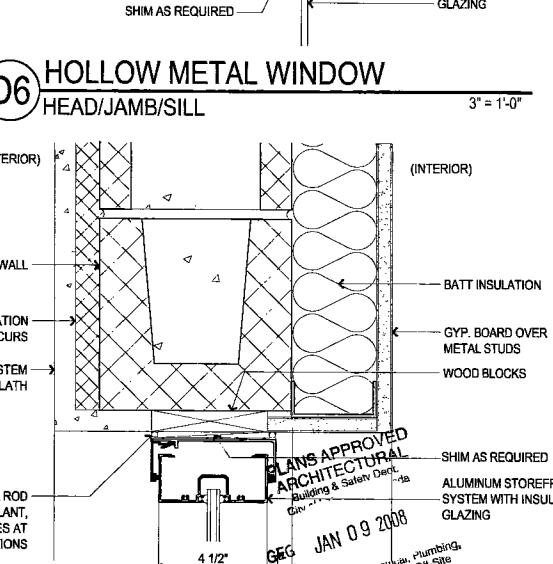
E3 ALUMINUM WINDOW SYSTEM SILL
3" = 1'-0"



E4 ALUMINUM WINDOW SYSTEM HEAD (JAMB SIMILAR)
3" = 1'-0"



E5 ALUMINUM WINDOW SYSTEM SILL
3" = 1'-0"



E6 ALUMINUM WINDOW SYSTEM HEAD/JAMB/SILL
3" = 1'-0"

119815

APPROVED
ARCHITECTURAL
JAN 09 2008

architecture interiors planning engineering

Dekker Perich Sabatini

6860 Bernardo Road, Suite 100
Las Vegas, Nevada 89119
702.436.1006
fax 436.1050
info@dpsdesign.org

STUPAK COMMUNITY CENTER
250 WEST BOSTON AVENUE
LAS VEGAS, NEVADA 89102
DOOR AND WINDOW SCHEDULE

9.3.07

OWNER: CITY OF LAS VEGAS
DEPARTMENT OF PUBLIC WORKS
ARCHITECTURAL SERVICES

400 EAST STEWART AVENUE
LAS VEGAS, NEVADA 89101
PHONE: (702) 228-8238
FAX: (702) 384-4848
TDD: (702) 384-6144

DATE: 06.03.07
SCALE: AS SHOWN
SHEET NO: 06.15341.25
DRAWING NO: 650.39-2

A691