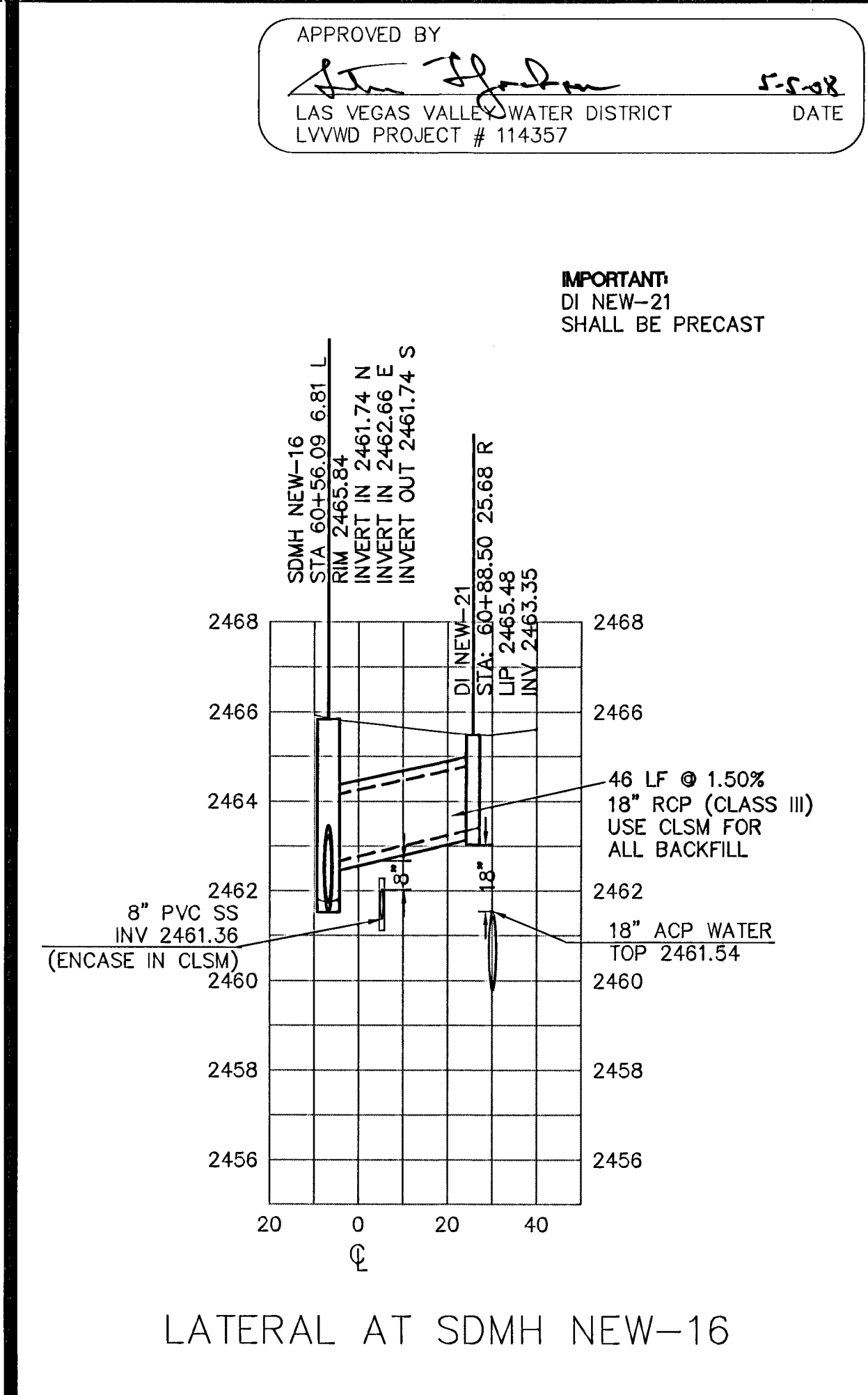
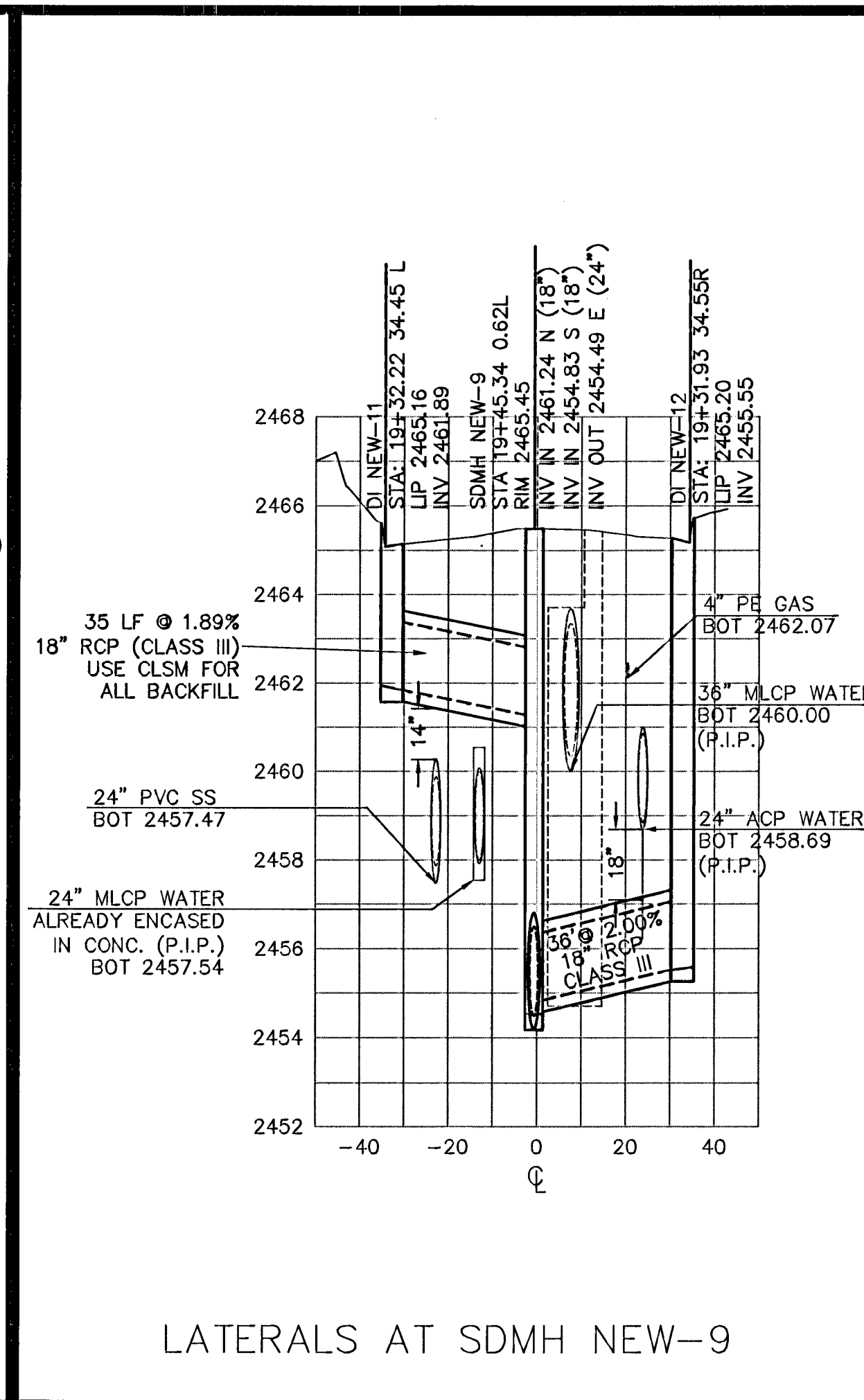
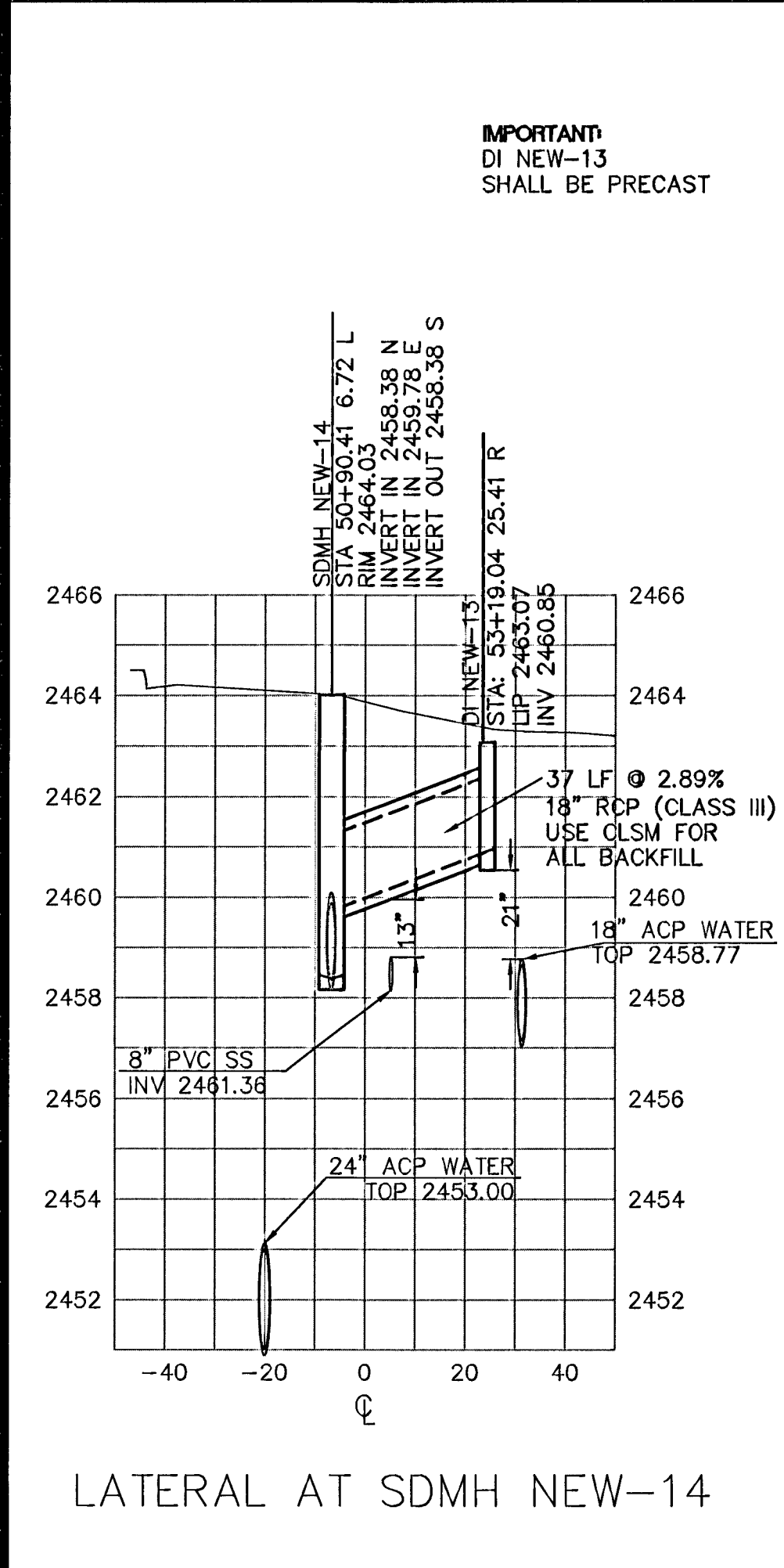
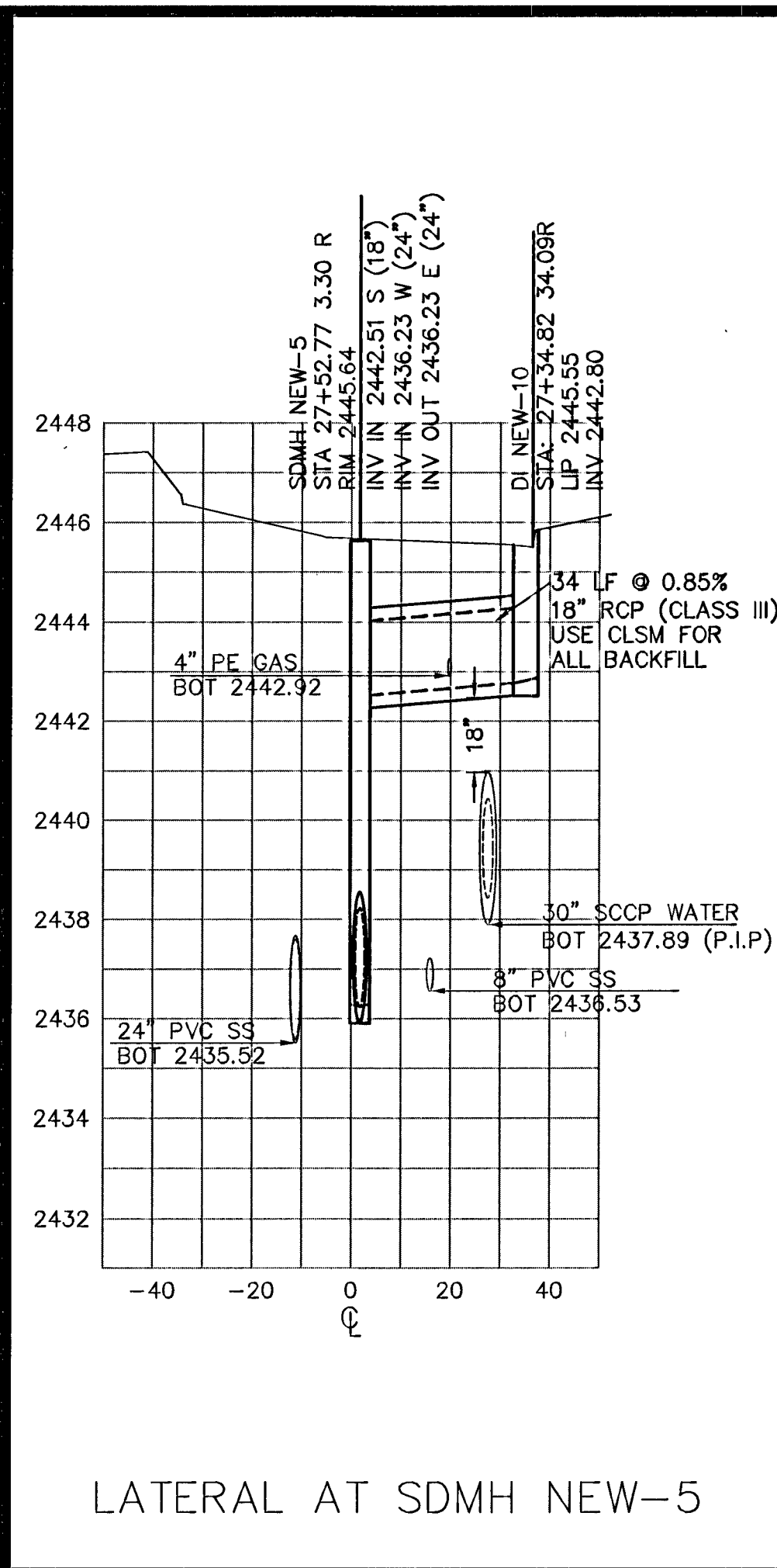
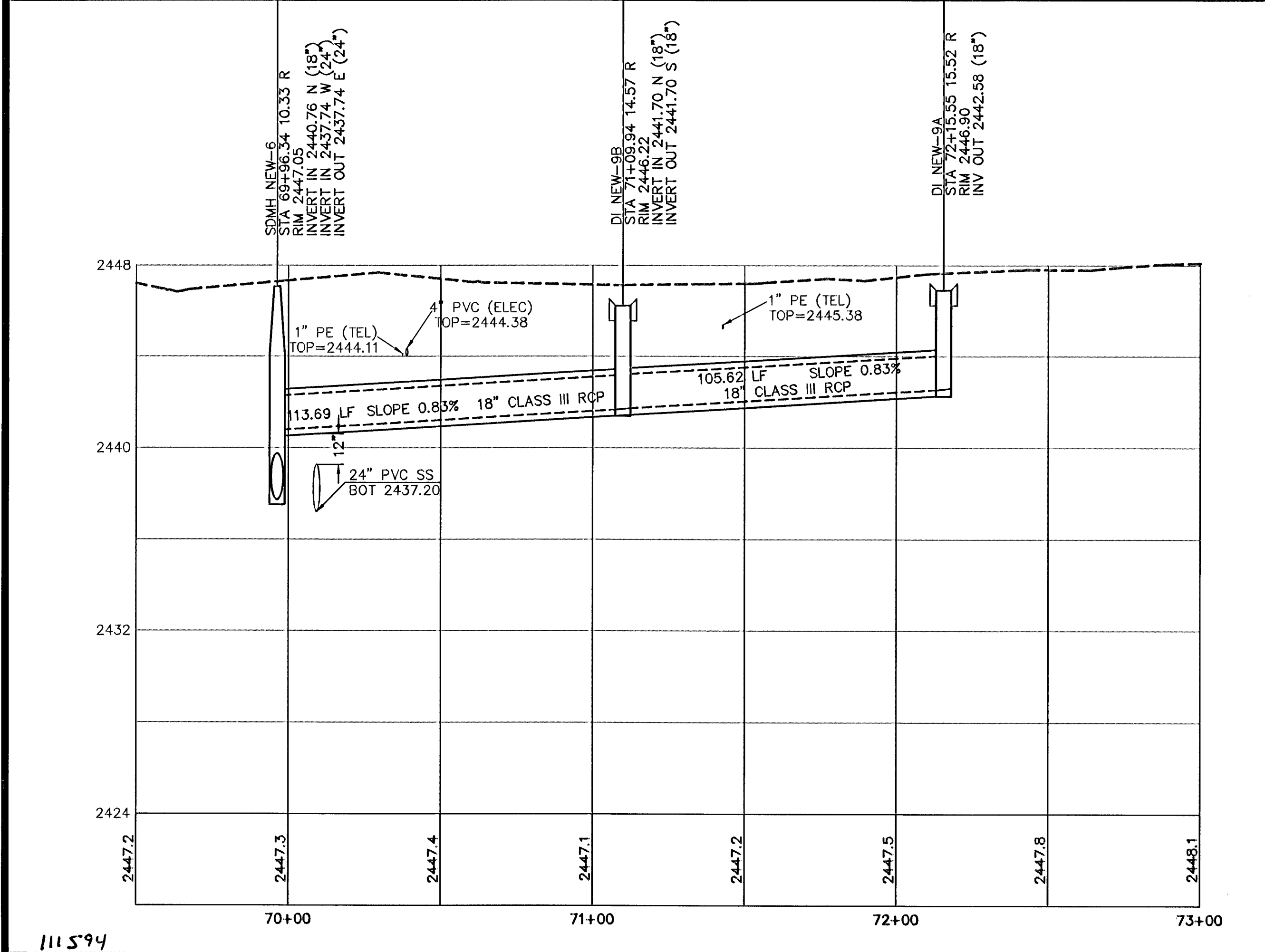
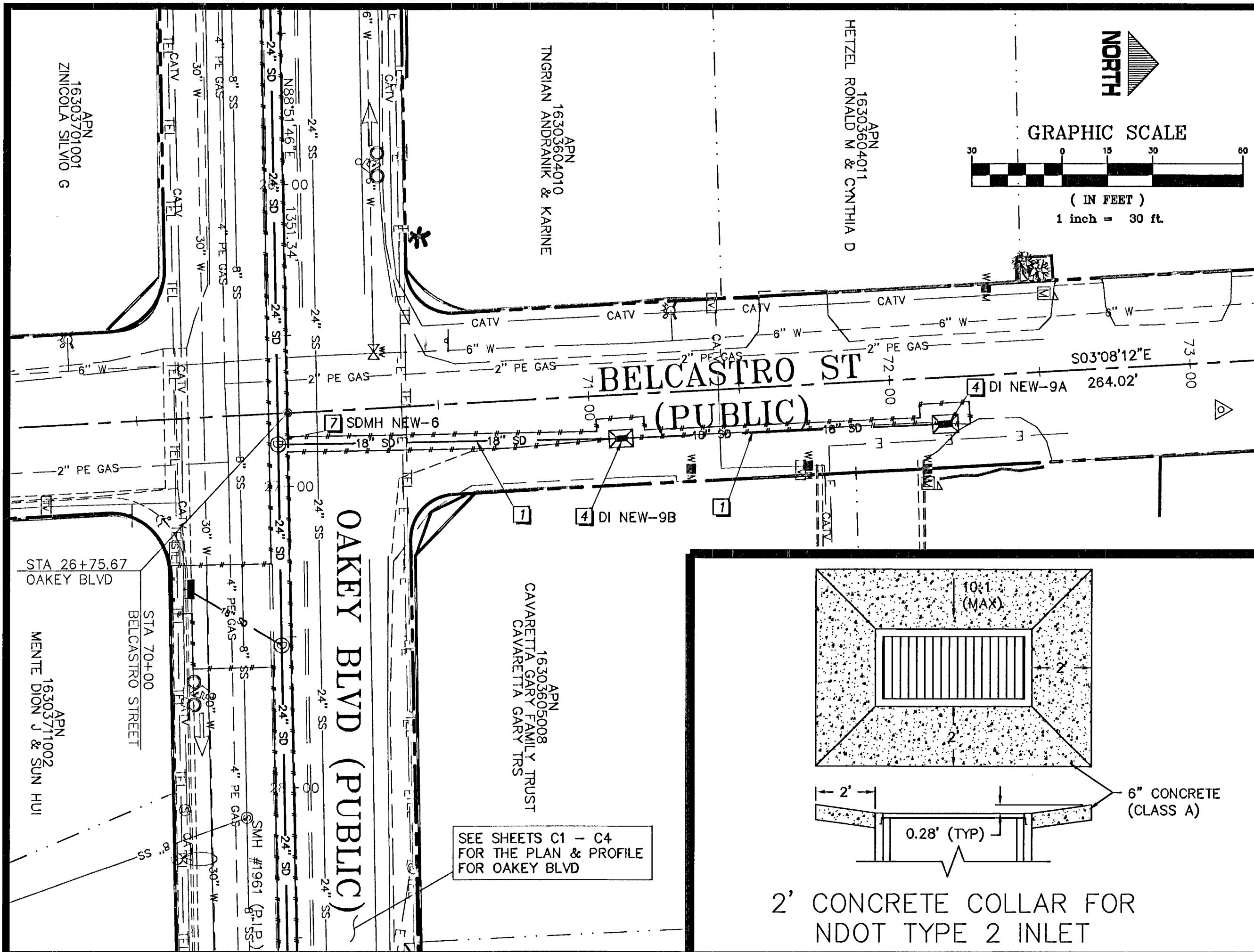
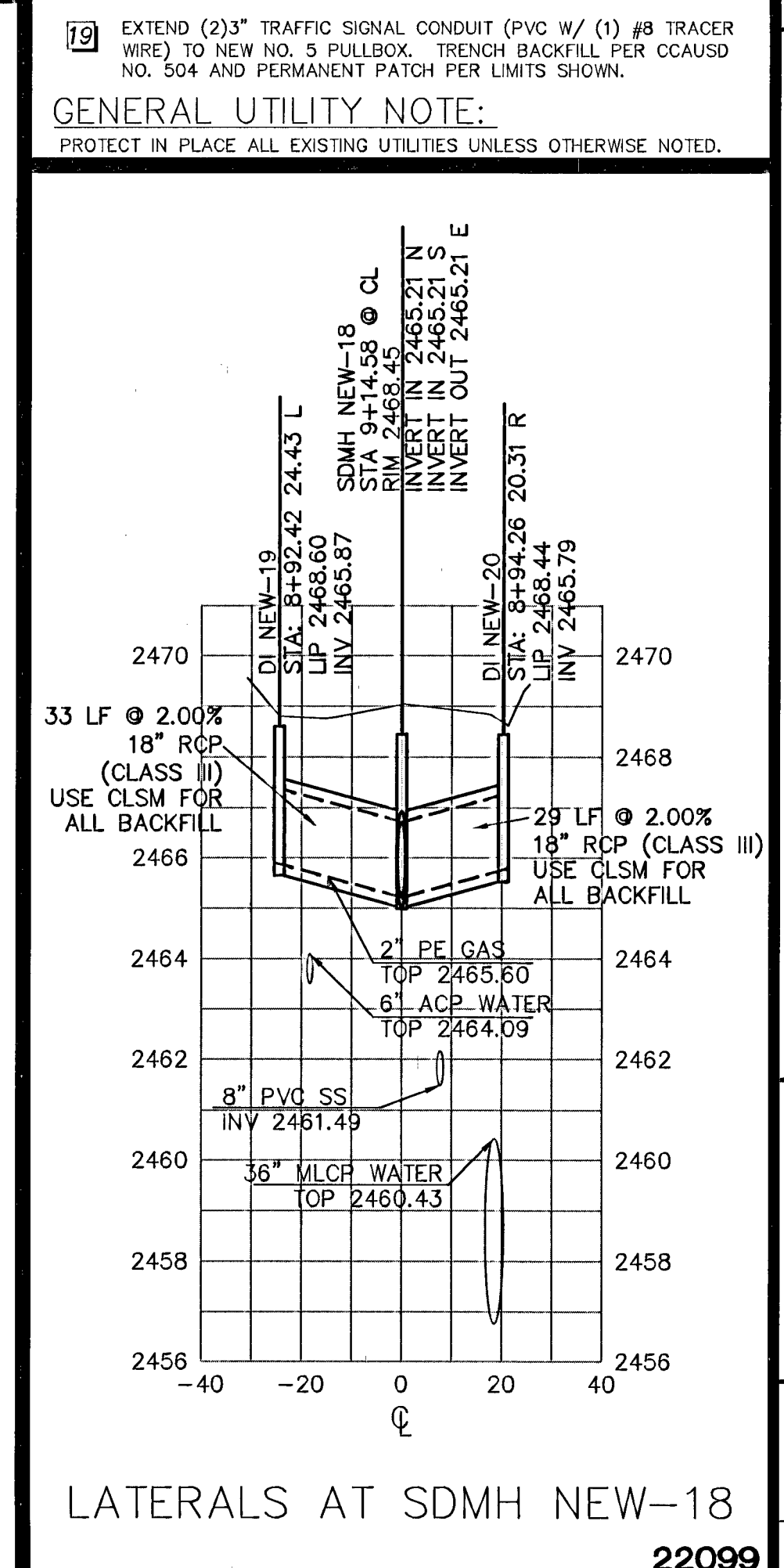


4/30/08 F:\DEPOT\CITY_ENGINEER\DESIGN\DESIGN\OAKLEY & TENAYA STORM DRAIN.DWG OAKLEY-TENAYA_100%.DWG



- CONSTRUCTION KEY NOTES:**
- INSTALL 18" CLASS III RCP STORM DRAIN. TRENCH BACKFILL PER CCAUSD NO. 504 AND PERMANENT PATCH PER LIMITS SHOWN. SEE SHEET C5 FOR LATERAL PROFILES.
 - INSTALL 24" CLASS III RCP STORM DRAIN. TRENCH BACKFILL PER CCAUSD NO. 504 AND PERMANENT PATCH PER LIMITS SHOWN.
 - INSTALL TYPE DM2 DROP INLET PER CCAUSD NO. 412A (L=7.5'). PROTECT IN PLACE EXISTING UTILITIES THAT ARE BEHIND B/C.
 - INSTALL TYPE 2 DROP INLET PER NDOT R-4.21 (A=4'-3") AND INSTALL CONCRETE COLLAR PER DETAIL ON SHEET C5.
 - REMOVE EXISTING 8" STORM DRAIN SYSTEM, INCLUDING MANHOLES, DROP INLET, AND 8" PVC PIPE. AT SDMH NEW-8, PROTECT IN PLACE THE EXISTING 18" RCP. TRENCH BACKFILL PER CCAUSD NO. 504 AND PERMANENT PATCH PER LIMITS SHOWN.
 - INSTALL TYPE I MANHOLE (48") PER CCAUSD NO. 403.
 - INSTALL TYPE I MANHOLE (60") PER CCAUSD NO. 403.
 - INSTALL TYPE IA MANHOLE (60") PER CCAUSD NO. 404.
 - CONNECT TO EXISTING 54" RCP BY INSTALLING TYPE III MANHOLE PER CCAUSD NO. 406.
 - ENCASE EXISTING SANITARY SEWER PIPE WITH 4" OF CLSM (300 PSI) TO THE LIMITS SHOWN. THESE LIMITS ARE BASED ON WHERE BOTH THE VERTICAL CLEAR DISTANCE BETWEEN THE EXISTING SANITARY SEWER AND THE NEW STORM DRAIN (OUTSIDE PIPE EDGE TO OUTSIDE PIPE EDGE) IS LESS THAN 12" AND WHERE THE HORIZONTAL CLEAR DISTANCE IS LESS THAN 10". THUS THE SPECIFIED LIMITS SHALL BE FIELD ADJUSTED ACCORDINGLY AS ACTUAL CONDITIONS WARRANT.
 - FOR CLEARANCE BETWEEN WATER LINE AND DROP INLET LESS THAN 10" (OUTSIDE TO OUTSIDE), USE ELASTOMERIC SEALANT ON JOINTS OF DROP INLET STRUCTURE.
 - ELECTICAL CONDUIT TO BE VERTICALLY ADJUSTED BY OTHERS.
 - CATV CONDUIT TO BE VERTICALLY ADJUSTED BY OTHERS.
 - TELEPHONE CONDUIT TO BE VERTICALLY ADJUSTED BY OTHERS.
 - GAS LINE TO BE VERTICALLY ADJUSTED BY OTHERS.
 - CONNECT TO EXISTING 18" RCP STORM DRAIN.
 - USE CLSM FOR ALL BACKFILL.
 - ENCASE EXISTING WATER PIPE WITH 4" OF CLSM (300 PSI) TO THE LIMITS SHOWN.
 - EXTEND (2)3" TRAFFIC SIGNAL CONDUIT (PVC W/ (1) #8 TRACER WIRE) TO NEW NO. 5 PULLBOX. TRENCH BACKFILL PER CCAUSD NO. 504 AND PERMANENT PATCH PER LIMITS SHOWN.



Call before you Dig
1-800-227-2800
Call before you dig. It's the safe way to dig.

Call before you Overhead
1-702-227-2929
Nevada Power Environment and Safety Services Department

- GENERAL UTILITY NOTE:**
PROTECT IN PLACE ALL EXISTING UTILITIES UNLESS OTHERWISE NOTED.

REVISIONS

NO.	DATE	DESCRIPTION	APP'D

**DEPARTMENT OF PUBLIC WORKS
ENGINEERING DESIGN SECTION**

CITY ENGINEER: JORGE CERVANTES, P.E.
PROGRAM MANAGER: JEREMY P. LEAVITT, P.E.
DESIGNED BY: BJP
DRAWN BY: BJP
CHECKED BY: JPL

DATE: APRIL 2008

**STORM DRAIN IMPROVEMENTS
OAKLEY BLVD AND TENAYA WAY
BELCASTRO STREET - PLAN AND PROFILE
CROSS SECTIONS AT LATERALS**

TITLE: SHEET: C5
8 of 12
DRAWING NO. 327/279
22099