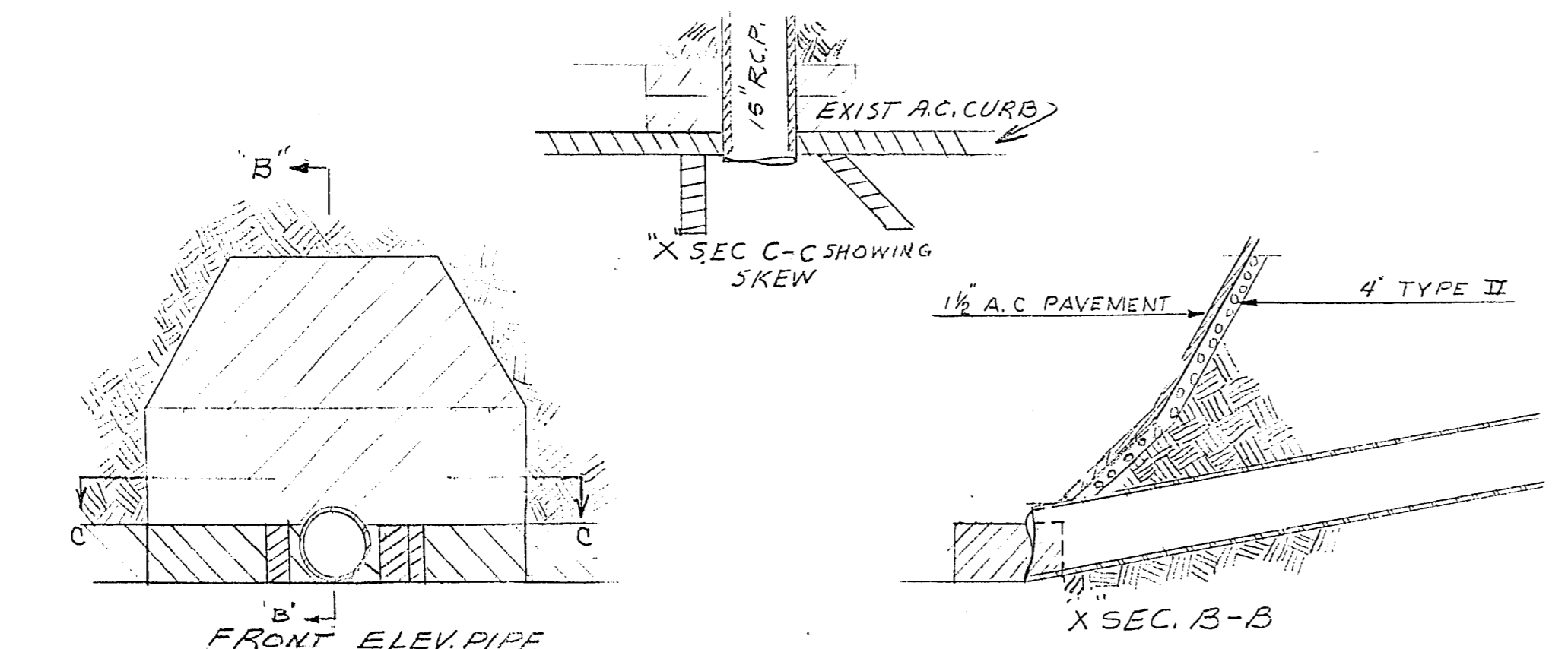
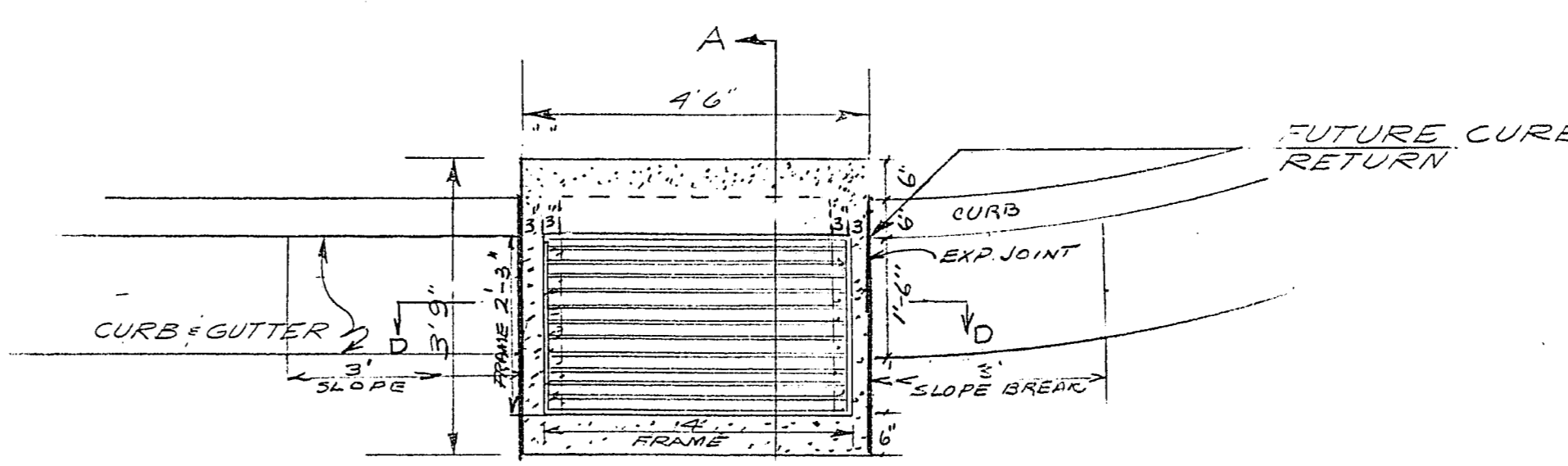


SEE SHEET 1 OF 4 FOR EXIST. UTILITIES

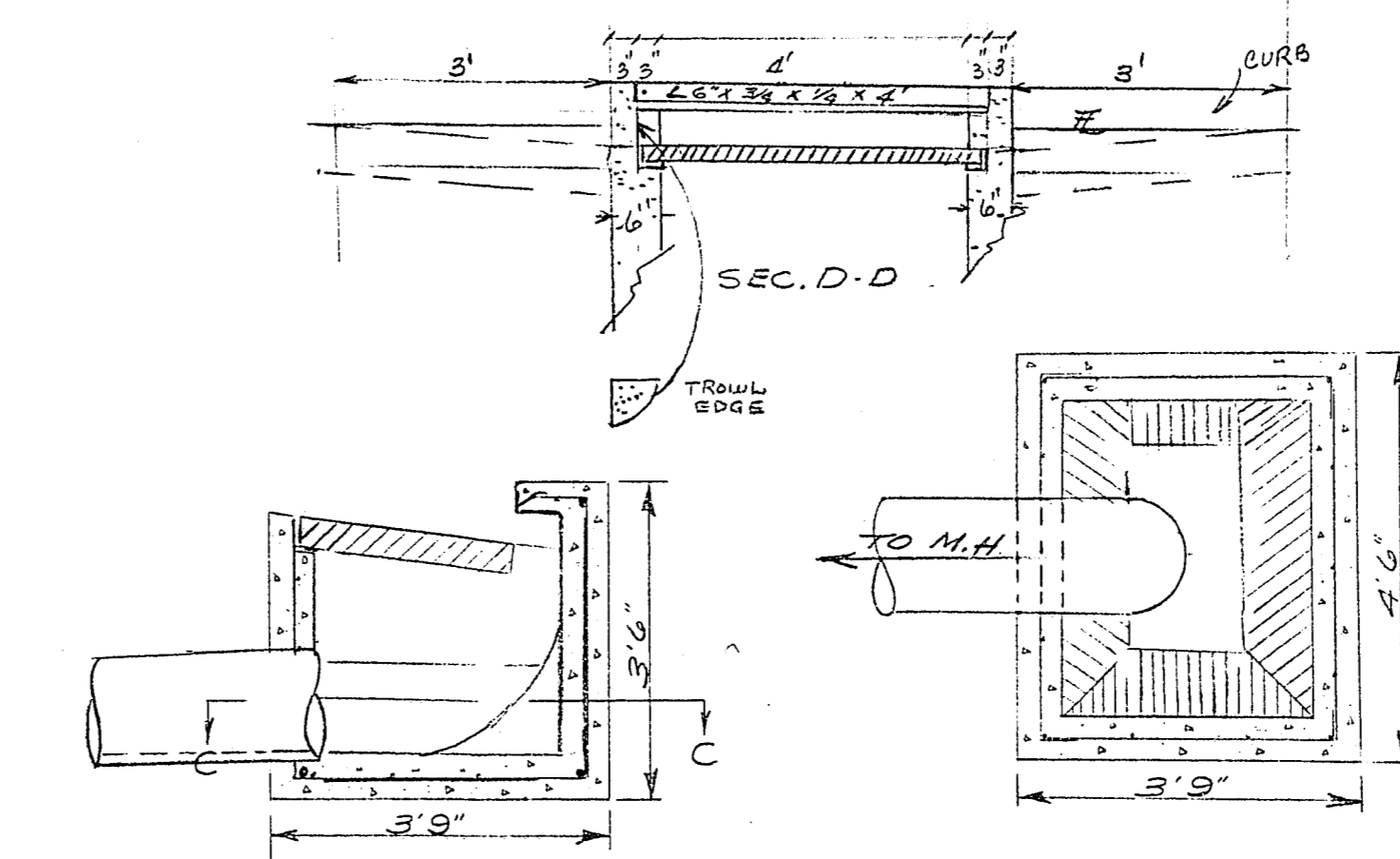
LOCATION PLAN  
SCALE 1"=20'



FRONT ELEV. PIPE  
DETAIL OF PIPE ENTRANCE TO DITCH  
2'-3"



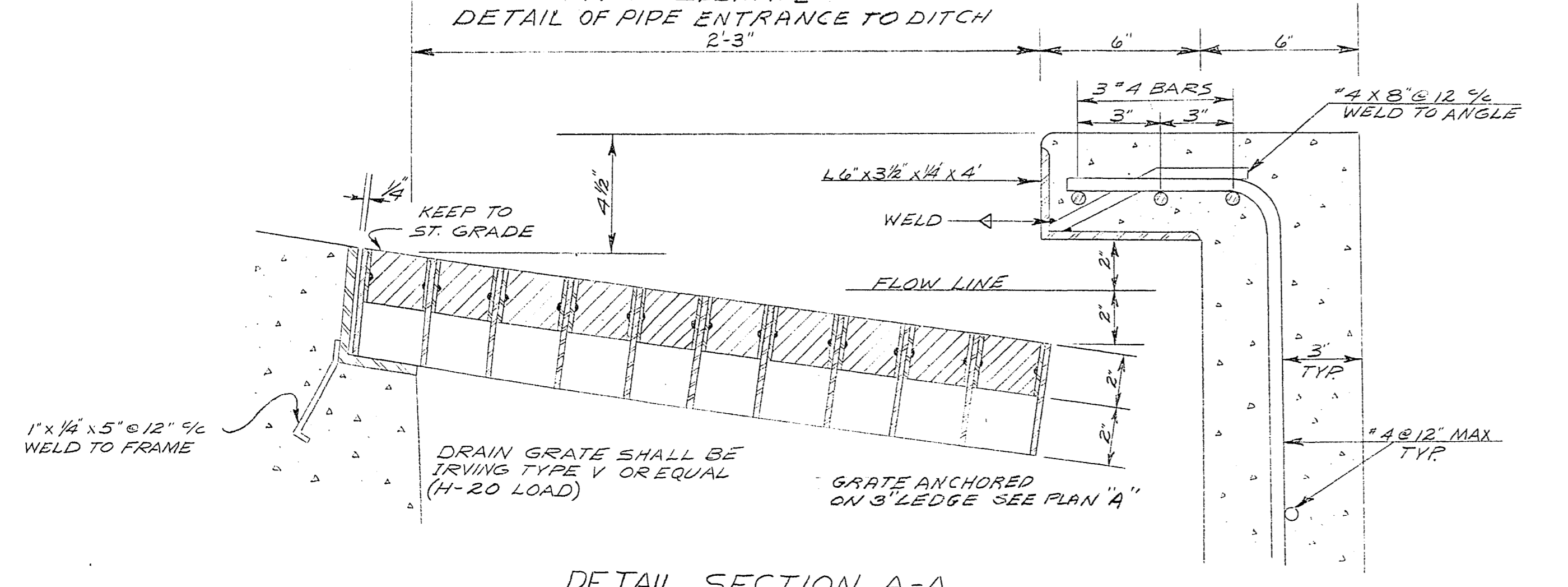
PLAN "A"  
SCALE 1/2"=1'



SECTION A-A  
SCALE 1/2"=1'

SECTION C-C  
SCALE 1/2"=1'

Revision of 15" R.C.P. Drain location  
dated 1-22-65  
Field Engr. *[Signature]* 1-22-65  
Director of Public Works *[Signature]*



DETAIL SECTION A-A  
NO SCALE

DETAIL OF INLET

5	Rev 1/6
3	11-18-64
2	
1	10-28-64
4	1-6-65
6	1-6-65

CITY OF LAS VEGAS NEVADA ENGINEERING DEPT.			
STORM DRAIN 25 <sup>TH</sup> STREET From WASHINGTON To JANSEN			
		DATE	SC. (H) AS NOTED
DES.	DODD	6-18-64	SC. (V)
DR.	NELSON	10-22-64	F. BK. NO.
CKD.	<i>[Signature]</i>	10/24/64	P.J. O. NO.
APPROVED BY CITY ENGR.			DRAWING NO.
<i>[Signature]</i>			1074-584