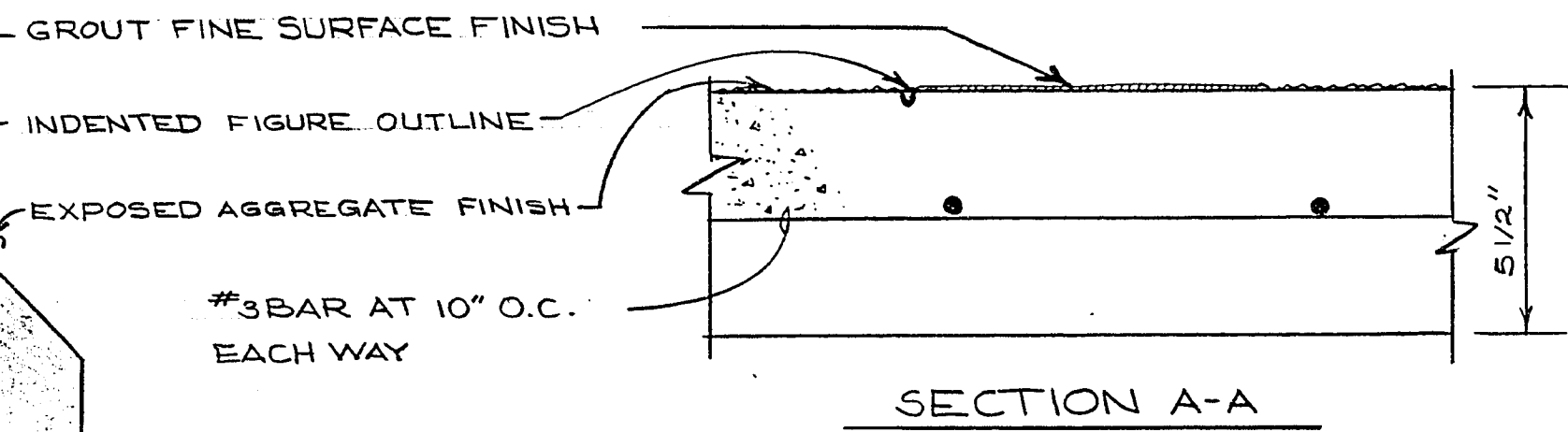
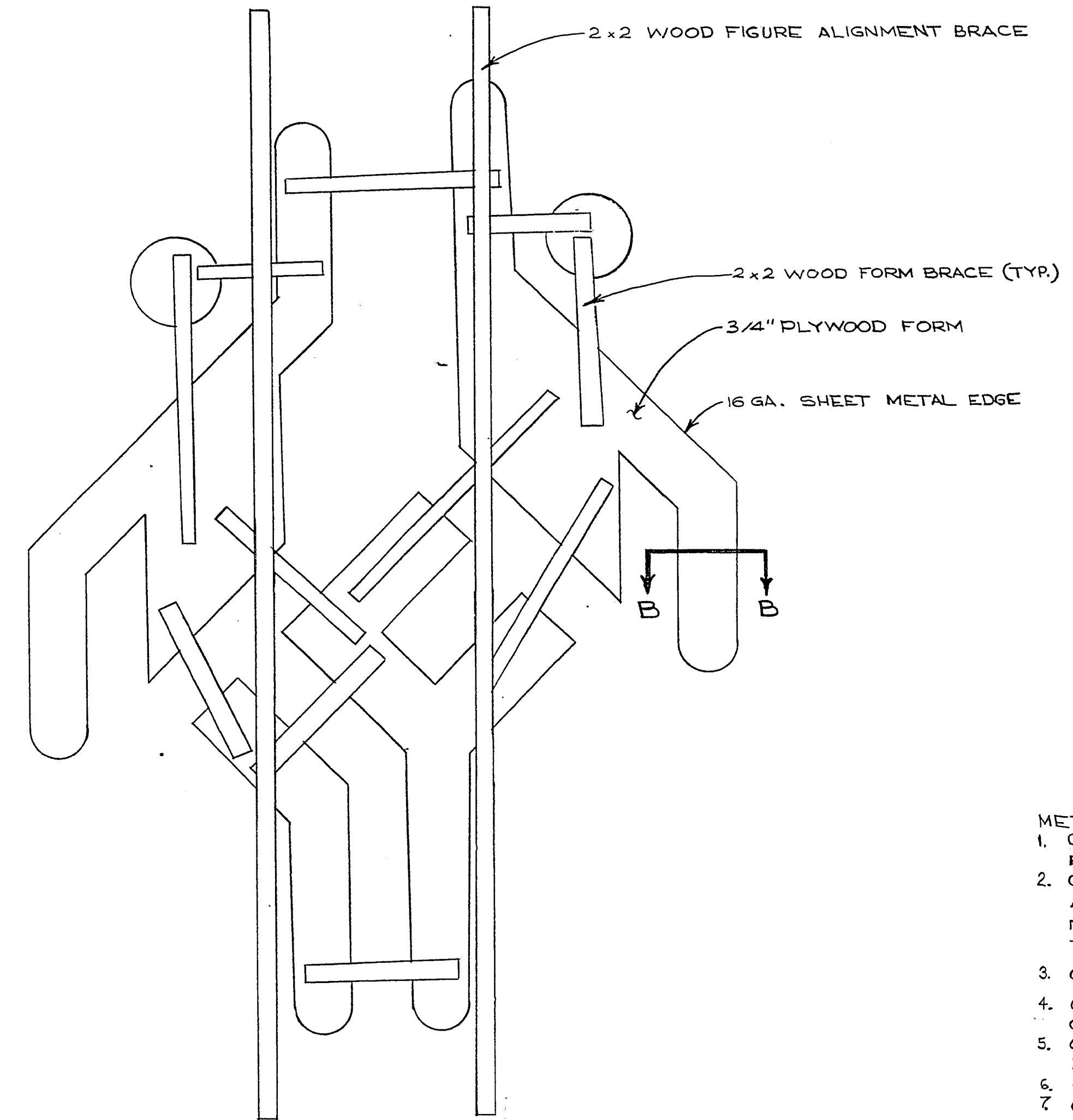


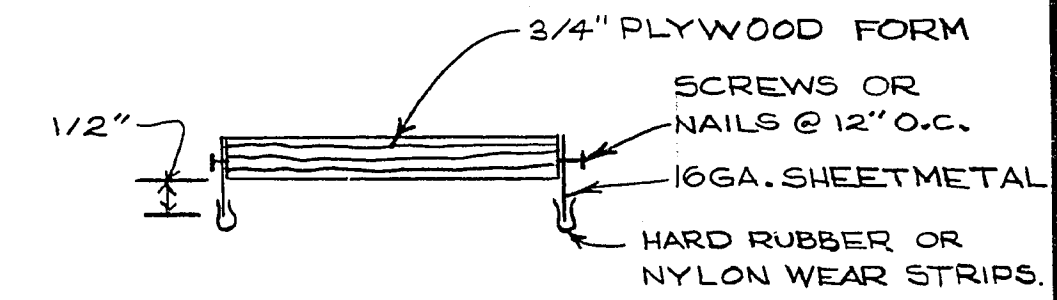
TYPICAL FIGURINE



SECTION A-A



TYPICAL FIGURINE OUTLINE TOOL
NO SCALE



SECTION B-B
NO SCALE

- METHOD OF INSTALLATION
1. CONTRACTOR INSTALLS TOP LEDGE AND BOTTOM FORMS.
 2. CONTRACTOR MARKS TOP LEDGE AND BOTTOM FORM AS TO WHERE 2x2 WOOD FIGURE ALIGNMENT BRACE MUST REST TO PROPERLY PLACE FIGURINE OUTLINE TOOL.
 3. CONTRACTOR PLACES CONCRETE.
 4. CONTRACTOR SETS FIGURINE OUTLINE TOOL WHILE CONCRETE STILL WET.
 5. CONTRACTOR EXPOSES AGGREGATE WHILE REMOVING 2x2 WOOD BRACES.
 6. CONCRETE SETS.
 7. CONTRACTOR REMOVES FORMS.
 8. CONTRACTOR COVERS WITH WATER PROOF MEMBRANE FOR 7 DAY CURE.
 9. CONTRACTOR REMOVES WATER PROOF MEMBRANE AND WASHES WITH 1 PART MURIATIC ACID TO 10 PARTS WATER.
 10. CONTRACTOR APPLIES GROUT FINE SURFACE FINISH TO FIGURINES.
 11. WHEN DRY, CONTRACTOR APPLIES ALIPHATIC URETHANE COATING.

AS BUILT

Charles K. Reynolds
ASST. CITY ENGINEER
8/19/80
DATE

Scale (H)	NONE	Scale (V)	W.Q. 2/11
Fid. bk. no.		Date	AUG. 19, 80
Design by	C. KAJKOWSKI	Drawn by	J. McDOWELL
Department of Public Services		Engineering Design Division	
STEWART/MOJAVE		DESIGN PROPOSAL FOR	
RELIEF WALL & PLANTER WALLS		CONSTRUCTION OF RELIEF	
		FIGURES	
CITY OF LAS VEGAS		NEVADA	
Drawing no.	671-43-1	Revisions	Date