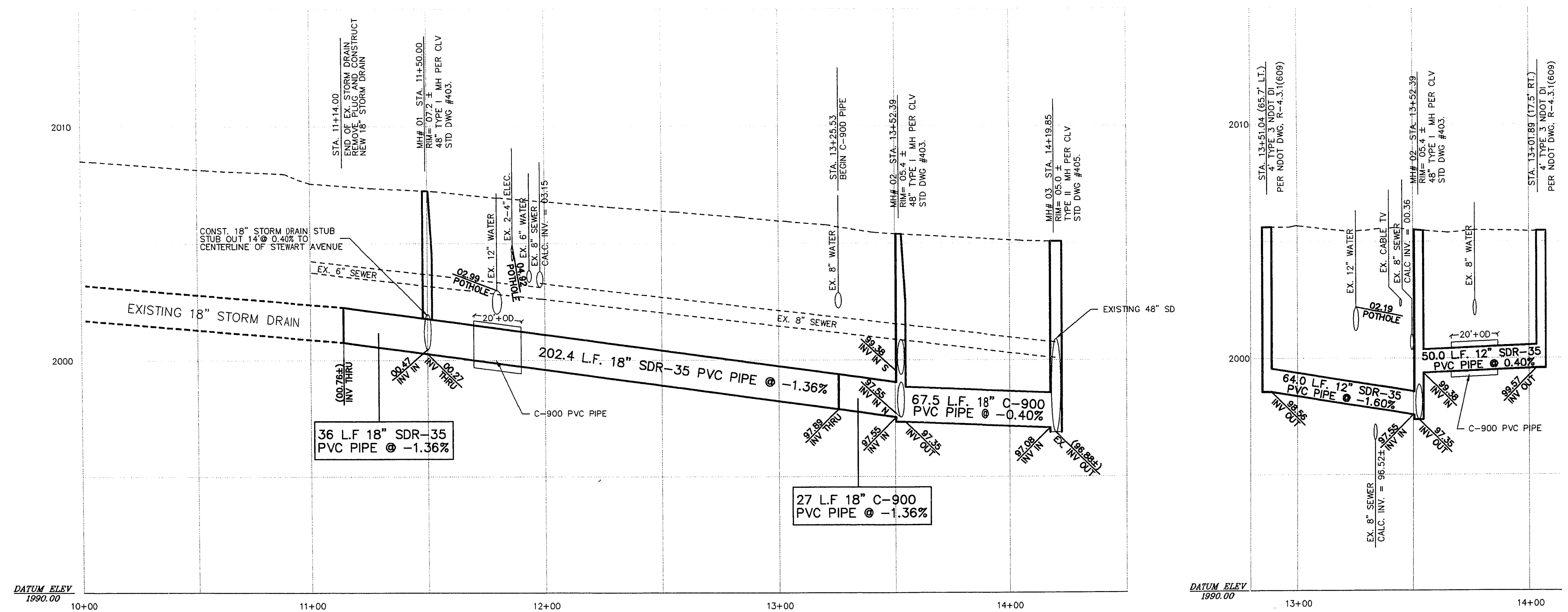
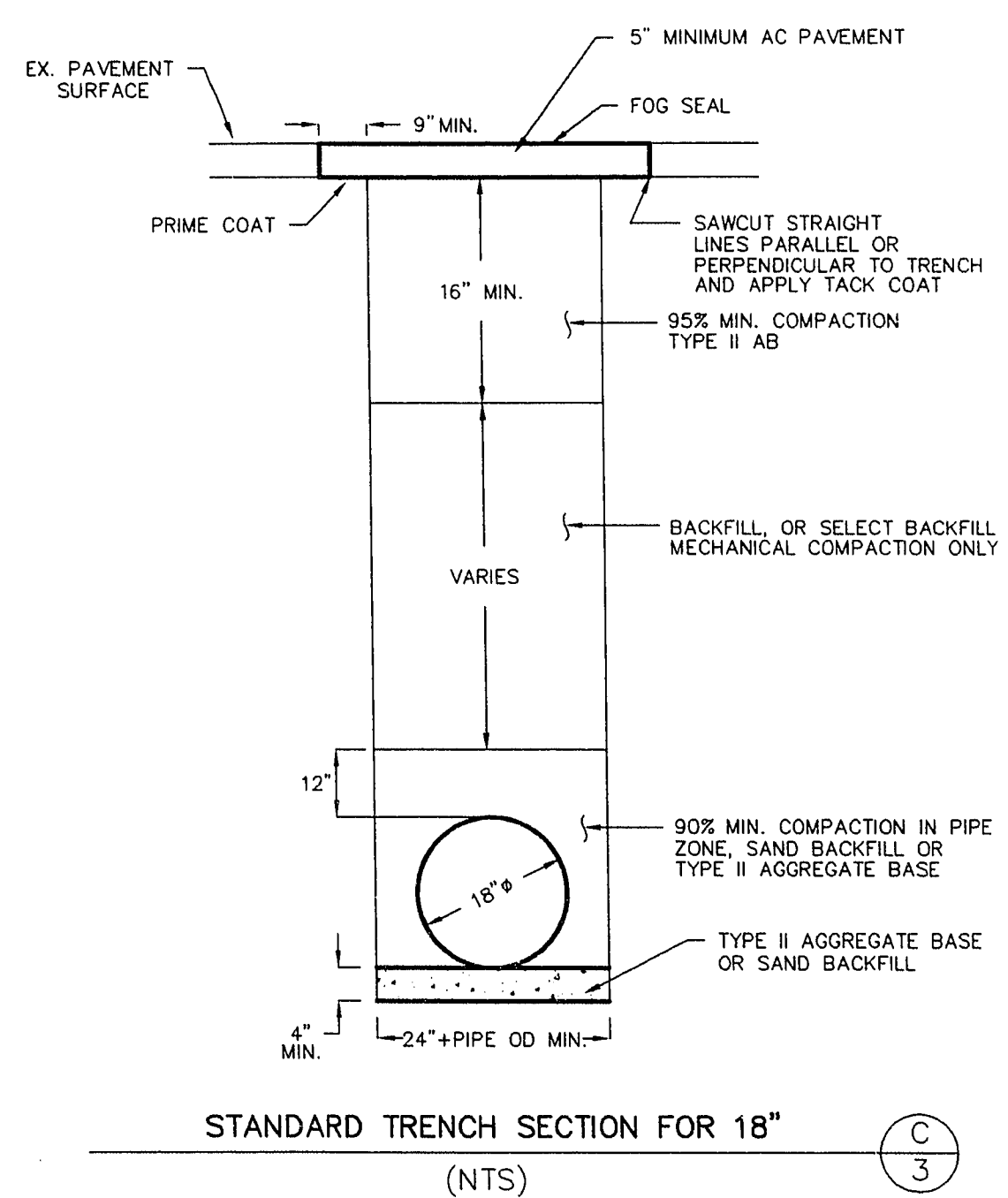


STEWART AVENUE

DATE	REVISIONS

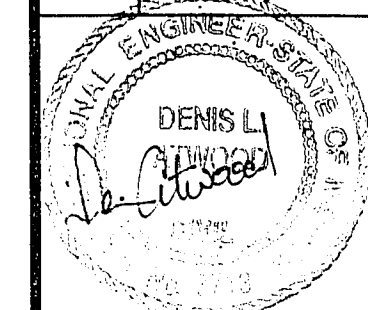
SCALE (H) 1"=30'  
 SCALE (V) 1"=3'  
 DATE AUGUST 28, 1995  
 W.A. # W09397  
 DESIGN BY DDL  
**ENGINEERING DESIGN SECTION**  
 CITY ENGINEER: DENNIS ANDERSON, P.E.  
 PROJECT MANAGER: DENNIS A WOOD, P.E.



LATERAL PROFILE

DEPARTMENT OF PUBLIC WORKS  
 PROJECT: STEWART AVENUE STORM DRAIN

SHEET: PLAN AND PROFILE



8-28-95  
 DRAWING NO. 327-V241  
 3/3