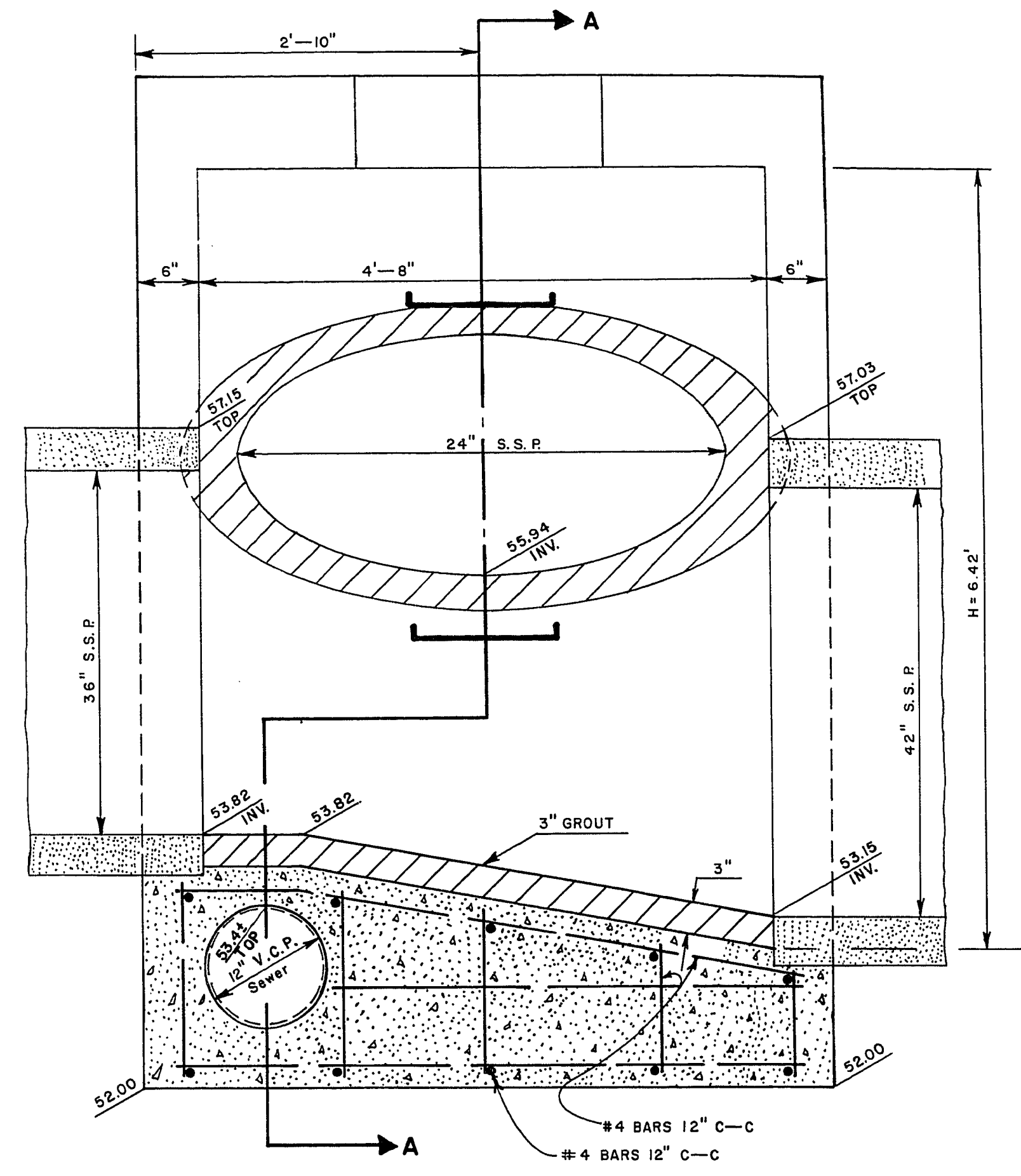
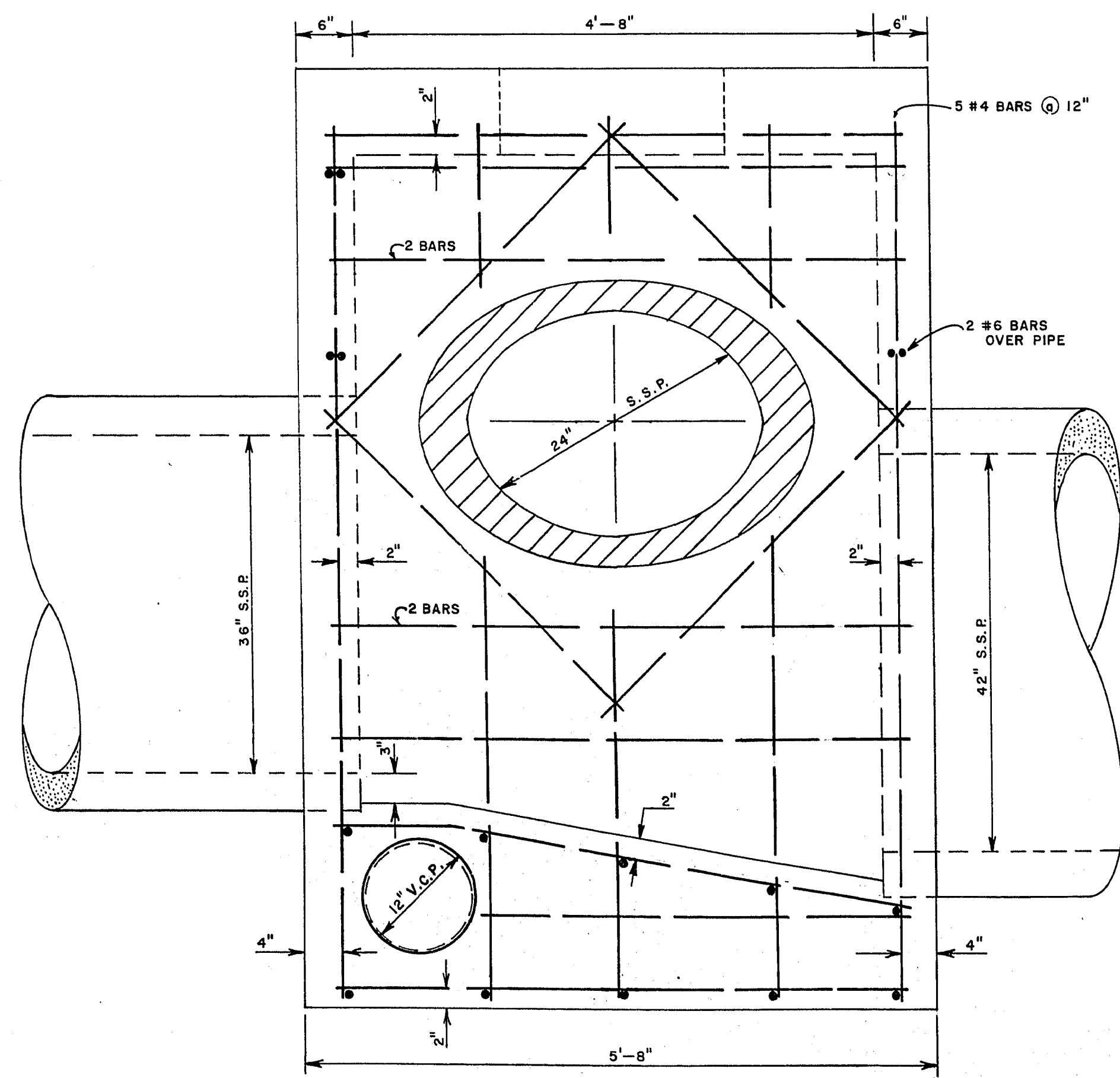


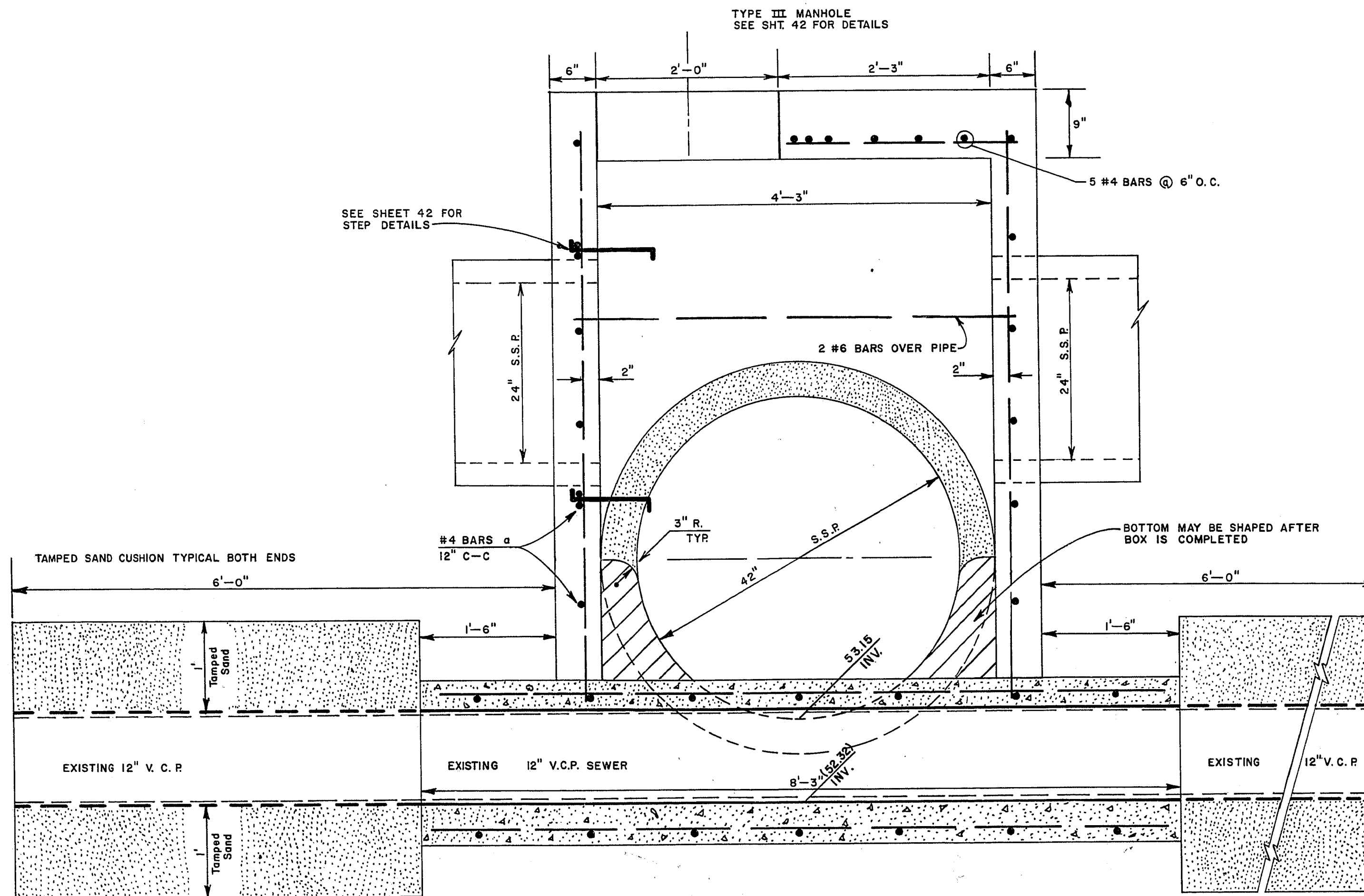
PLAN VIEW



SECTION B-B



ELEVATION



SECTION A-A

PROFESSIONAL ENGINEER  
 WILLIAM J. SULLIVAN  
 CIVIL  
 No. 258  
 CONTRACT DRAWING  
 NOV 8 1974

NOTE: ALL S.S.P. DIMENSIONS ARE CALCULATED WITH R.C.P. WALL DIMENSIONS FOR MAXIMUM THICKNESSES AND MINIMUM CLEARANCES.

CITY OF LAS VEGAS NEVADA			
DEPARTMENT OF PUBLIC WORKS			
SERVICES DIVISION			
SPECIAL JUNCTION BOX DETAILS			
STA. 'E' 25+48.5			
W.O. NO. 7682	F.BK. NO.	DATE	DRAWING NO.
SC. (H) 1" = 1'	SC. (V) 1" = 1'		
DES. CARL P. MALONE			FILE NO.
DR. SULLIVAN			107-V819A
APPROVED BY DIRECTOR OF PUBLIC WORKS			SHEET 42A OF 70
			10/25/74

16-4-130