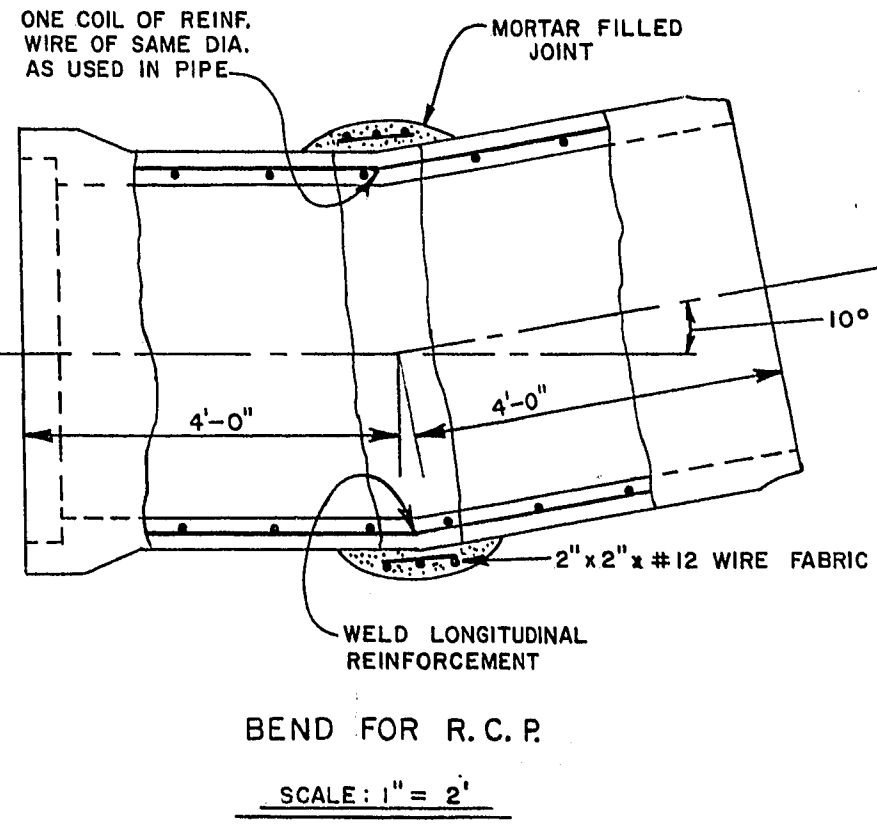


CONCRETE SUPPORT DETAIL
SCALE: 1" = 2'



BEND FOR R.C.P.
SCALE: 1" = 2'

APPROVALS		CITY OF LAS VEGAS NEVADA DEPARTMENT OF PUBLIC WORKS SERVICES DIVISION	
L.V.V.W.D. <i>Vance L. Lee</i>	1/8/75	STEWART AVENUE, 28th. TO NELLIS BLVD. STORM DRAIN REVISION @ LAMB BLVD.	
CONST. DIV. ENGR. <i>[Signature]</i>	1/9/75	W.O. NO. 7682	F.BK. NO. SC. IV
DESIGN DIV. ENGR. <i>[Signature]</i>		DATE	DRAWING NO.
R. S. & H. C. MNG. ENGR. <i>C.P. BRECHLER</i>	1-13-75	19 DEC. 74	107-V819A
DEPUTY DIR. PUB. WORKS <i>[Signature]</i>	1/13/75	APPROVED BY DIRECTOR OF PUBLIC WORKS	FILE NO.
		<i>[Signature]</i>	1/14/75
			SHEET 23A OF 70

16-4-110