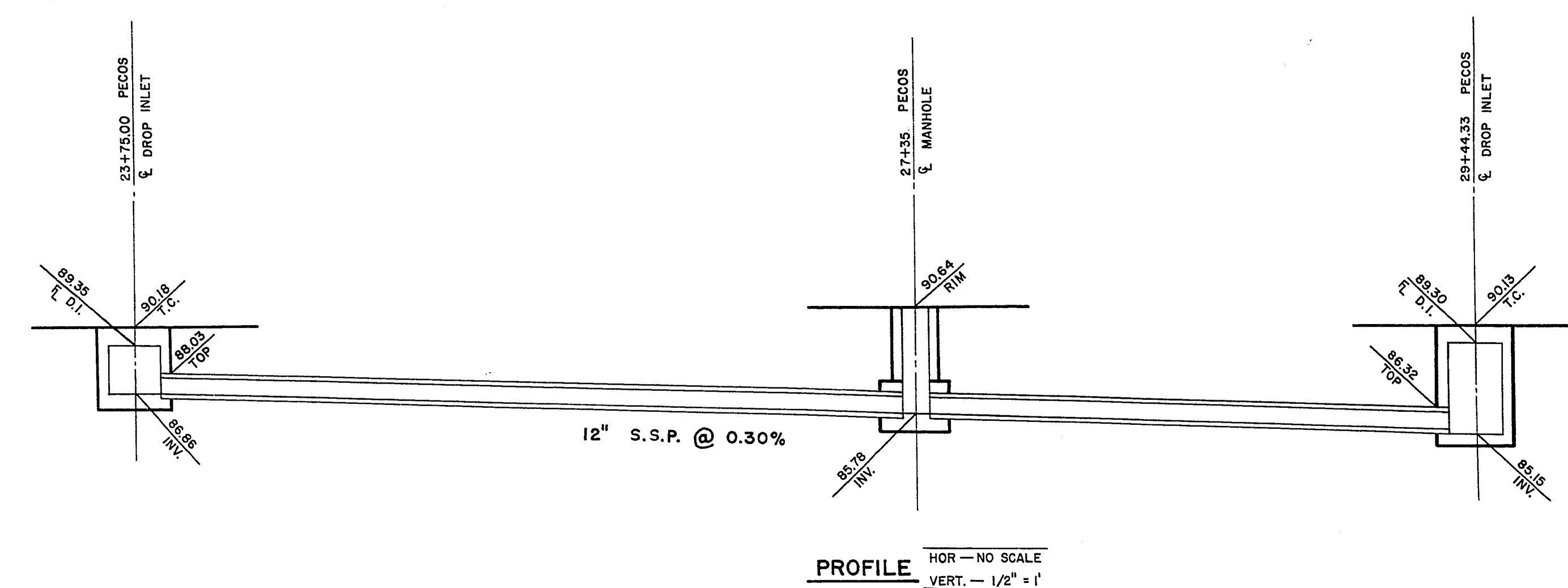
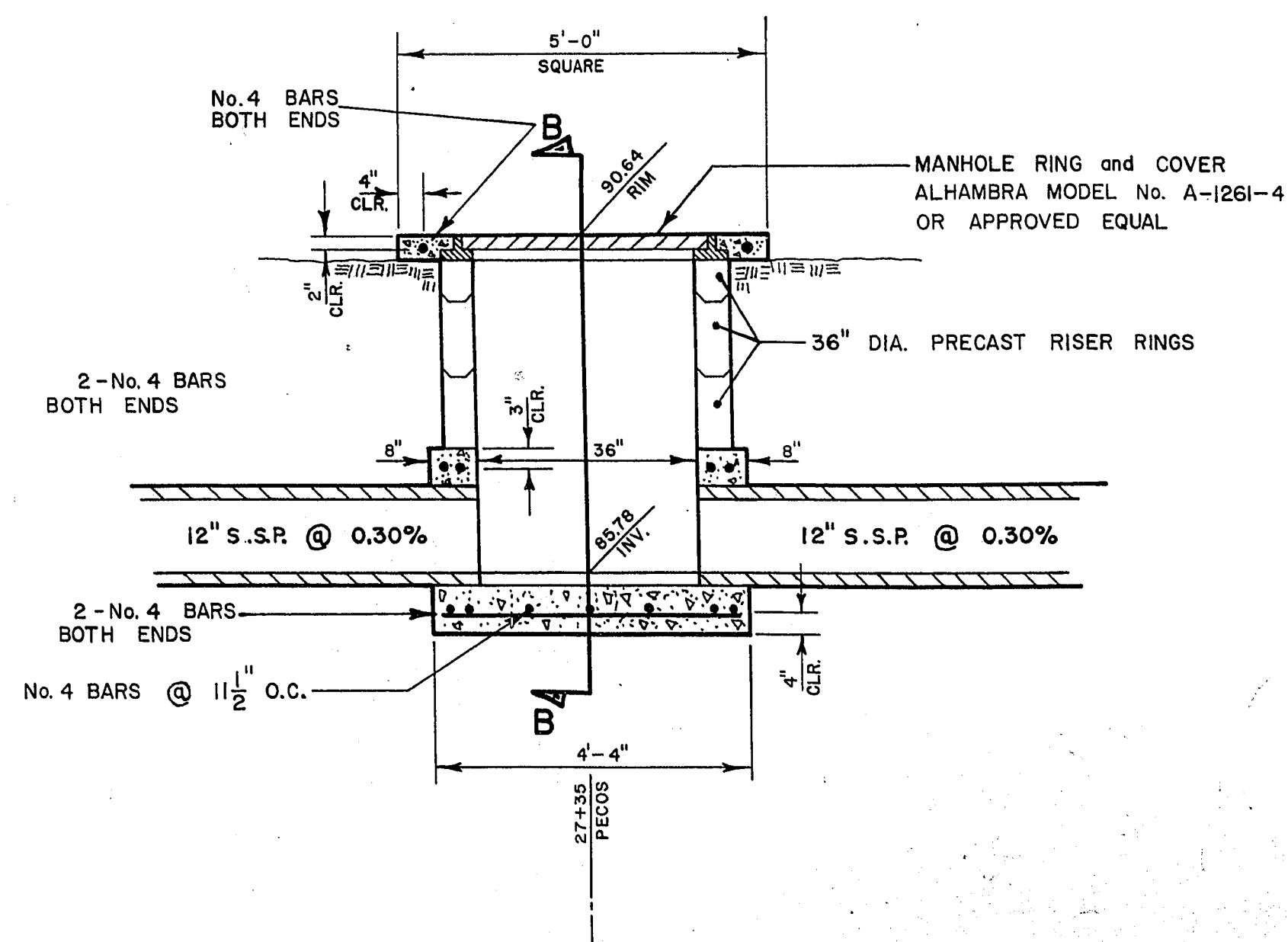
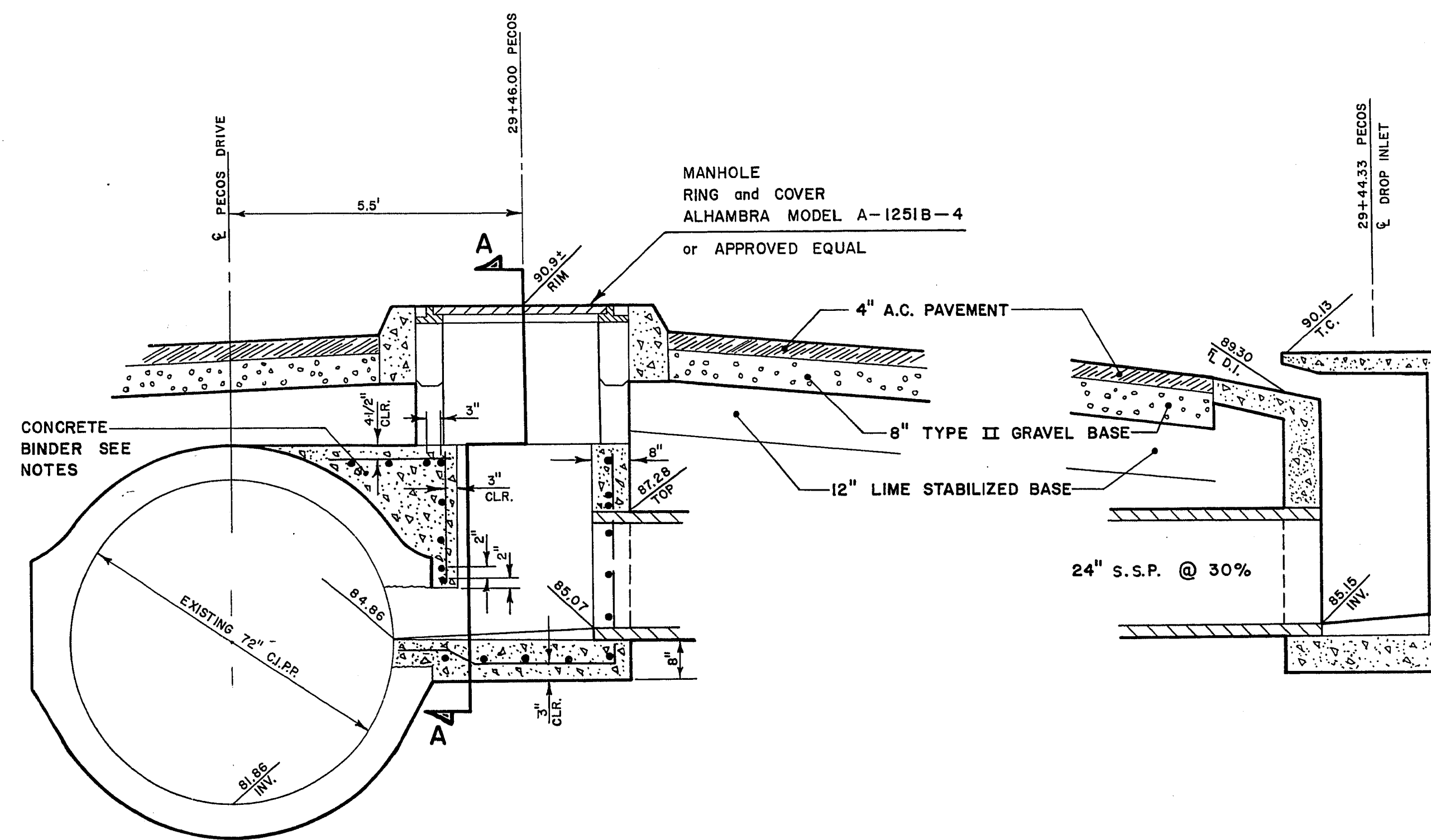


SECTION A-A



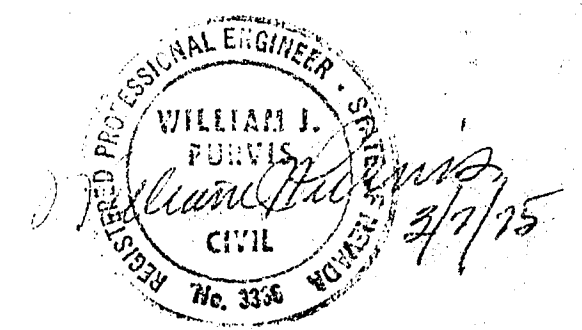
PROFILE  
HOR. - NO SCALE  
VERT. - 1/2" = 1'



SEE SHEET No. 43  
FOR DROP INLET  
CONSTRUCTION DETAILS

**-GENERAL NOTES-**

1. ALL CONCRETE SHALL BE 5.5B 3000 USING TYPE IV PORTLAND CEMENT.
2. A MINIMUM OF 6 INCHES OF TYPE II GRAVEL BASE AROUND STRUCTURES.
3. CONTRACTOR TO USE CONCRETE BINDER (TO BE APPROVED BY THE ENGINEER) AT JUNCTION WITH EXISTING 72 INCH C.I.P.P.
4. 12 INCH S.S.P. TO BE CLASS III RCP  
24 INCH S.S.P. TO BE CLASS III RCP.
5. CONTOUR BOTTOM OF STRUCTURES TO DRAIN.



C.P. Bruehl  
R.S. & H.C. MANAGING ENGINEER  
DATE 3-6-75

<b>CITY OF LAS VEGAS NEVADA</b>			
DEPARTMENT OF PUBLIC WORKS SERVICES DIVISION			
<b>-REVISION-</b>			
<b>STORM DRAIN DETAILS</b>			
W.O. NO. 7682	F.B.K. NO.	DATE	DRAWING NO.
SC. (H)	SC. (V)	3-4-75	107V-819A
DES. CARL P. MALONE			FILE NO.
DR. P. LEE			
APPROVED BY DIRECTOR OF PUBLIC WORKS			
SHEET 36 of 70			

3/6/75

164-103