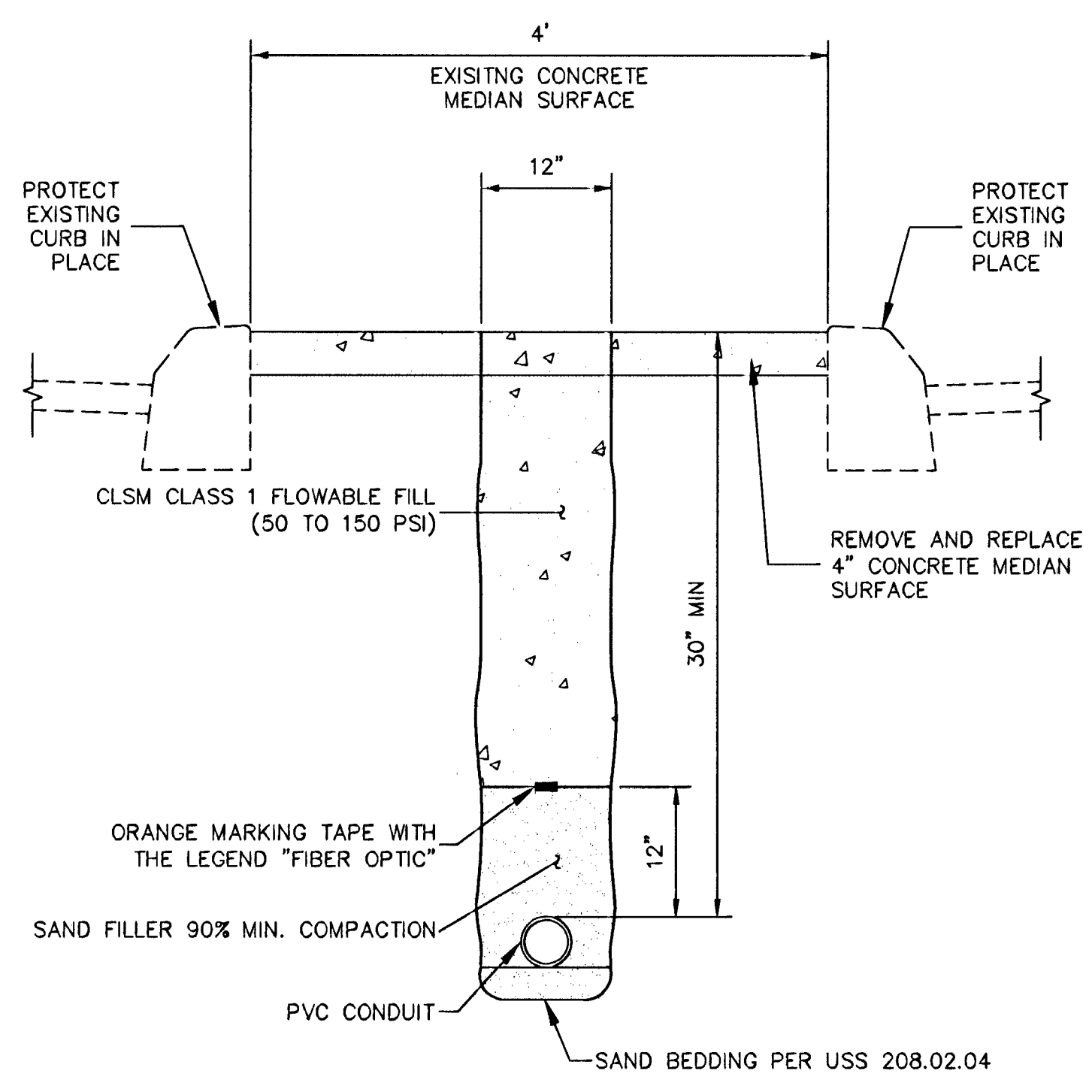
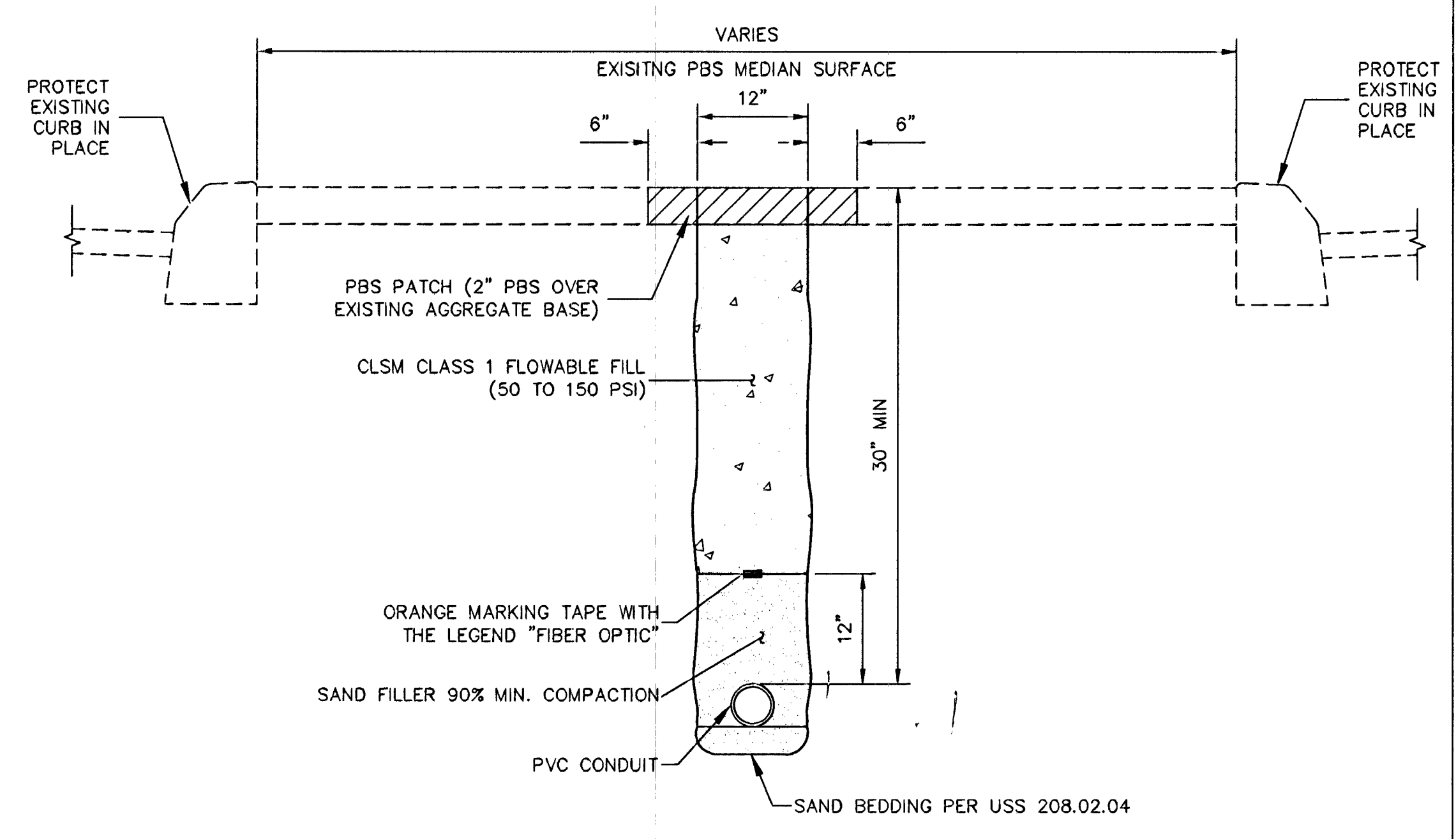


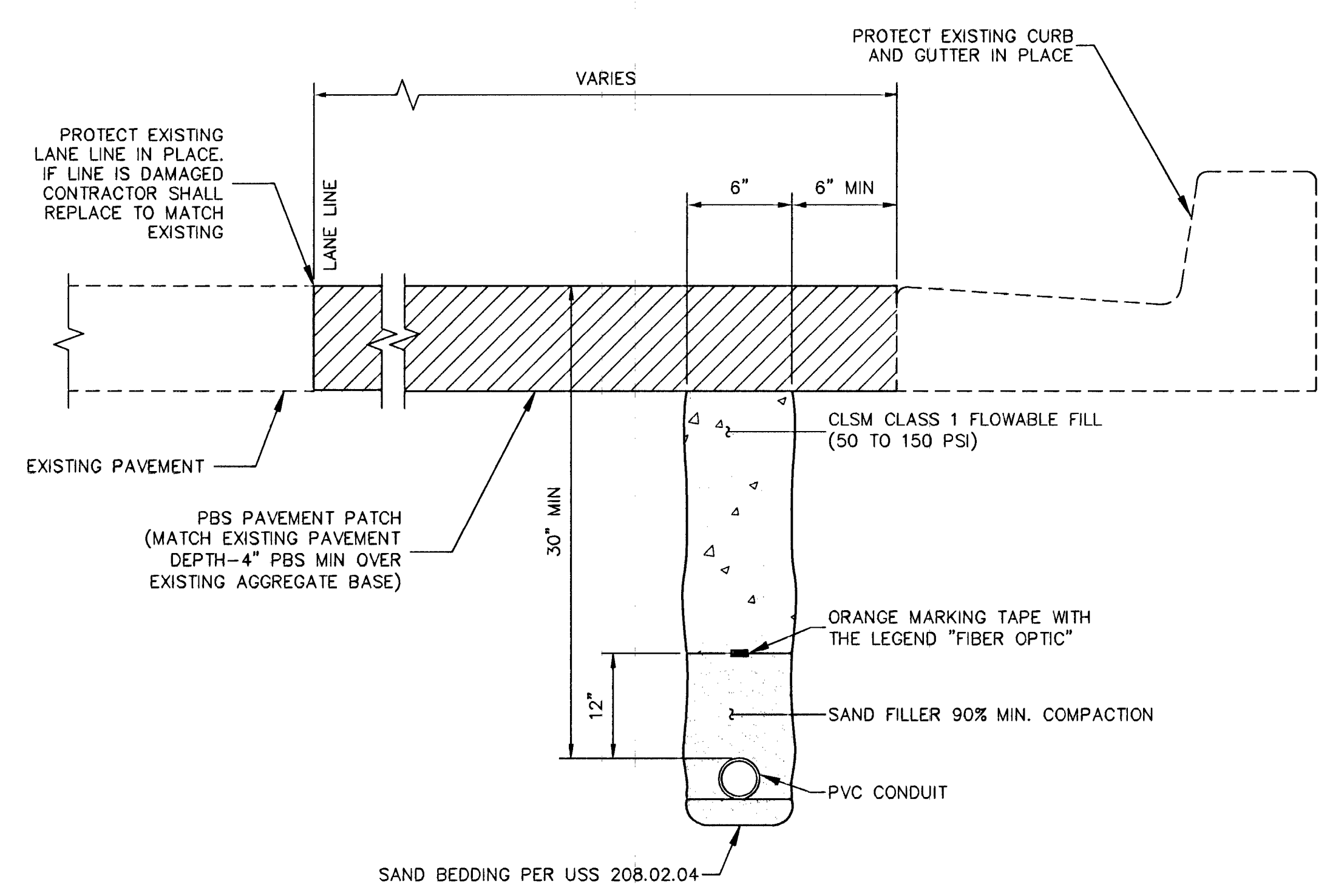
STEWART AVE - PECOS RD TO NELLIS BLVD



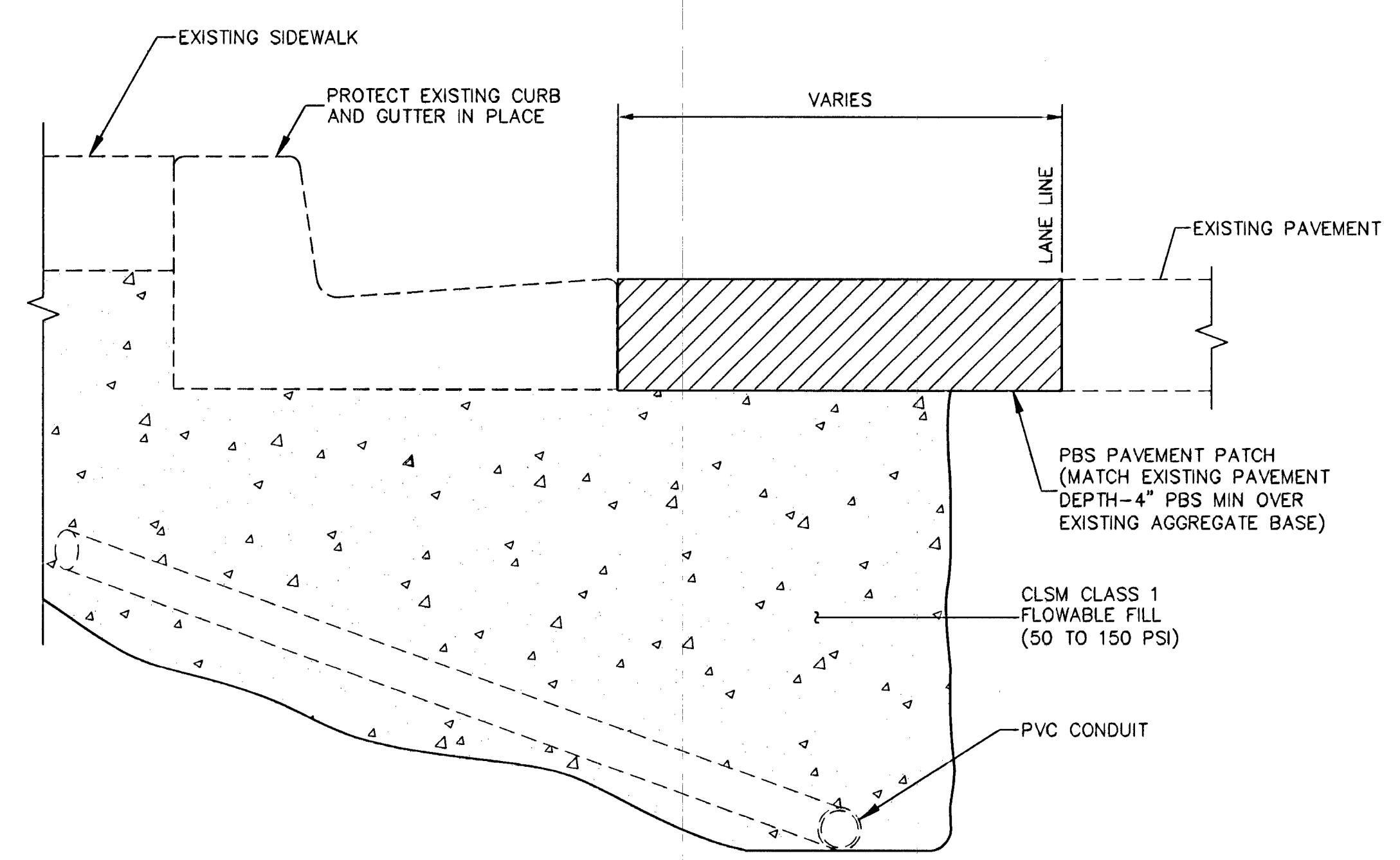
**DETAIL E**  
CONCRETE MEDIAN SURFACE REPLACEMENT



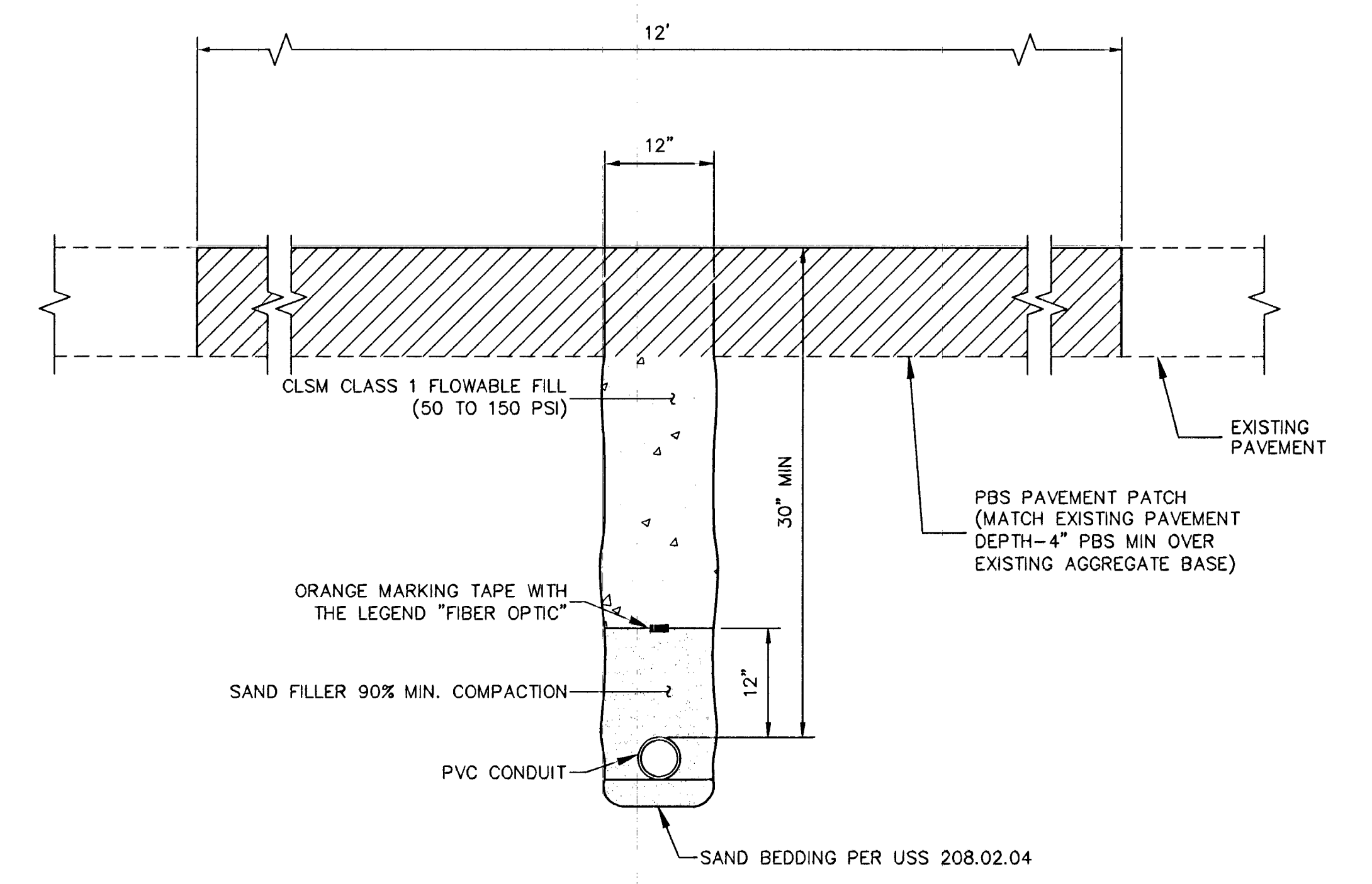
**DETAIL D**  
PBS MEDIAN SURFACE REPLACEMENT



**DETAIL B**  
LONGITUDINAL CONDUIT TRENCH DETAIL



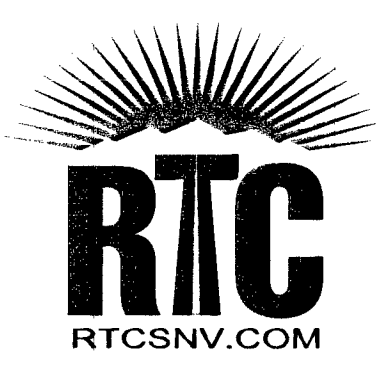
**DETAIL C**  
ALTERNATE PAVEMENT PATCH AT PULL BOX REPLACEMENT LOCATIONS



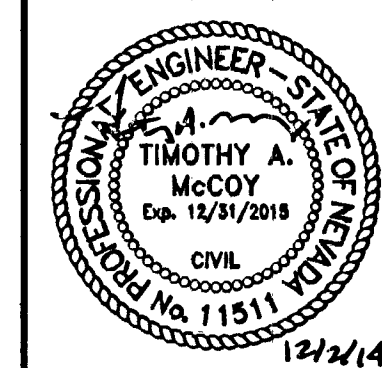
**DETAIL A**  
TRANSVERSE CONDUIT TRENCH DETAIL

PLOTTED: 12/22/2014 9:45:03 AM

REV. NO.	DATE	DESCRIPTION	APPROVED



**STEWART AVENUE**  
PECOS ROAD TO NELLIS BOULEVARD  
DETAILS  
REGIONAL TRANSPORTATION COMMISSION OF SOUTHERN NEVADA



PROJECT No: 882-002 DRAWN BY: TPD  
DESIGNED BY: TPD CHECKED BY: TAM  
APPROVED BY: \_\_\_\_\_  
**LAS VEGAS ELECTRIC**  
3305 MEADE AVENUE LAS VEGAS NV 89102  
TEL: 702-365-6000 FAX: 702-364-5375  
**G. C. WALLACE COMPANIES**  
ENGINEERS | PLANNERS | SURVEYORS  
1555 S. RAINBOW BOULEVARD LAS VEGAS NV 89146  
TEL: 702-894-2000 FAX: 702-894-2299 GCWALLACE.COM

SCALE	DRAWING NO.
HORIZ: NONE	ITS-08
VERT: NONE	SHT. 11 OF 15
FIELD BOOK	H# 56607
	107V6421