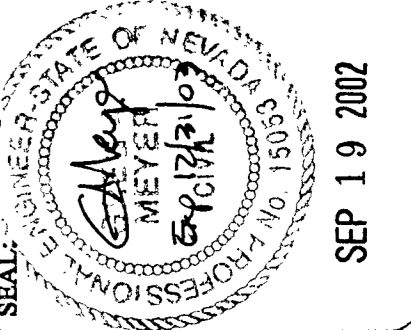
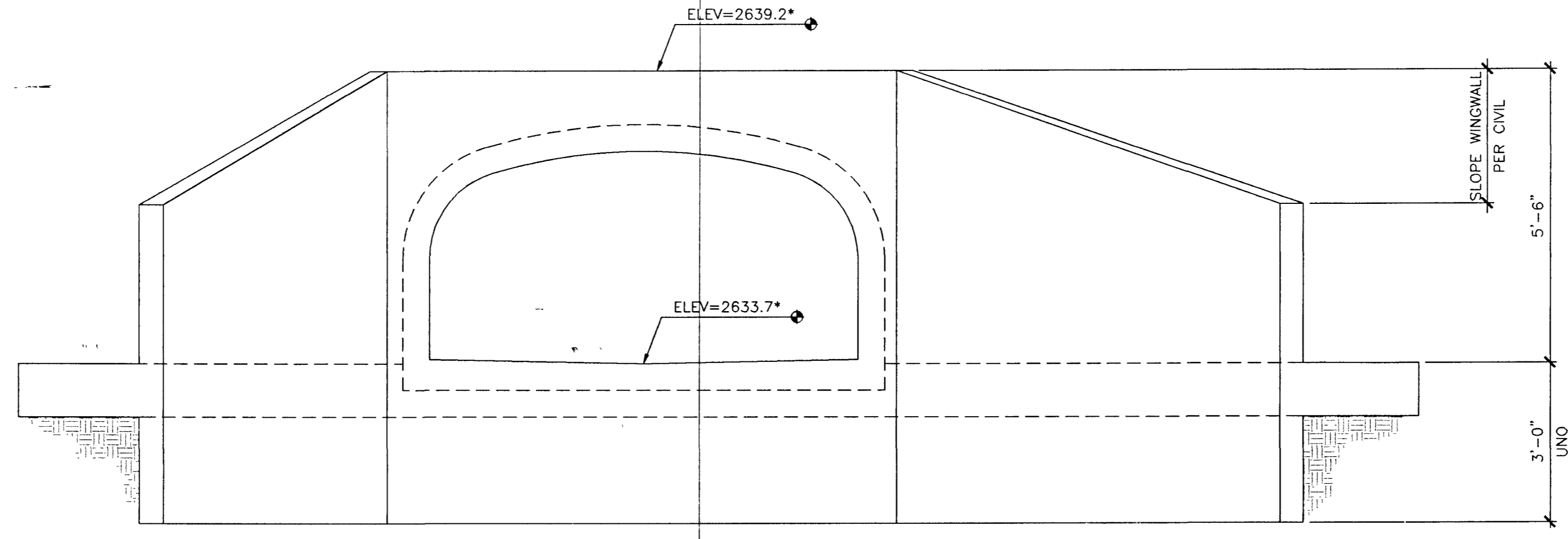
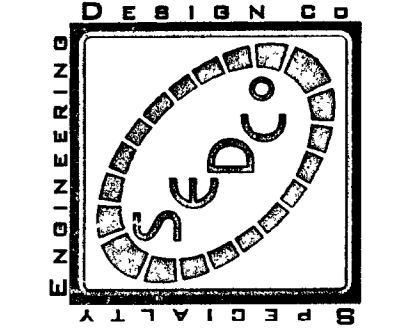


REFERENCE CIVIL DRAWINGS  
FOR EXACT ELEVATIONS AND  
DIMENSIONS.



DESIGNED: GM  
DRAWN: AM  
CHECKED: GM  
APPROVED: WM

6380 S. VALLEY VIEW, STE. 406  
LAS VEGAS, NEVADA 89118  
Phone: (702) 616-3107  
Fax: (702) 616-3725



1 HEADWALL AT CULVERT OUTLET  
NO SCALE

THIS PLAN, ELEVATION AND DESIGN ARE THE EXCLUSIVE PROPERTY OF SEDCO, HYDRO-ARCH AND SHALL NOT BE REPRODUCED IN ANY FORM WITHOUT WRITTEN CONSENT. ALL RIGHTS ARE RESERVED. COPYRIGHT 2002 SEDCO, HYDRO-ARCH.

46624

1078-4788-91

PROJECT: 8' x 4' ARCH CULVERT  
SPRING MOUNTAIN RANCH UNIT 91  
LAS VEGAS, NV  
FOR  
HYDRO-ARCH  
SHEET TITLE: ELEVATION

REV.	DATE	DESCRIPTION
	9/19/02	SUBMITTED FOR APPROVAL

DATE: SEPTEMBER 19, 2002  
PROJECT NUMBER: LV02124  
SHEET NUMBER: S2.1