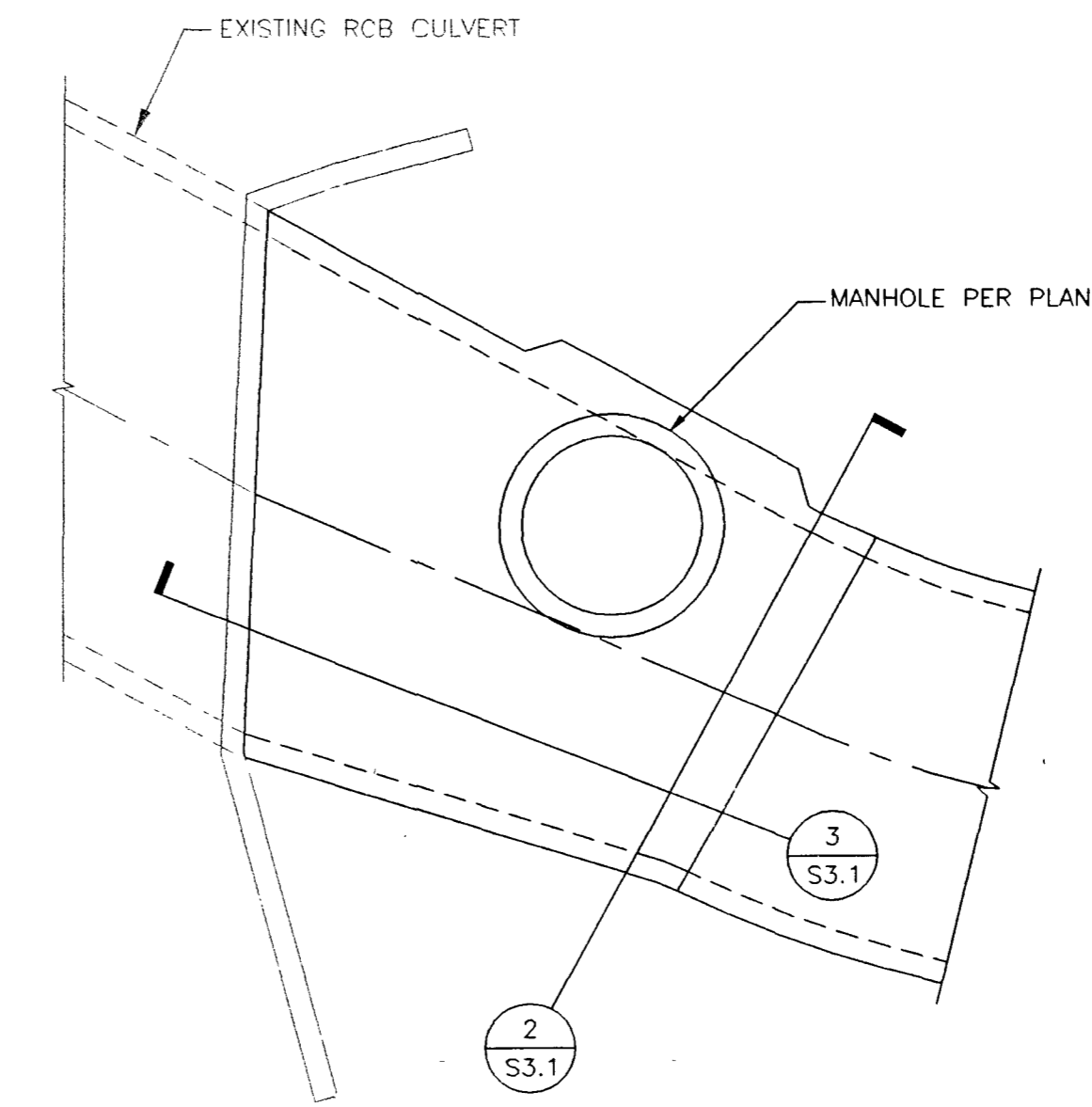
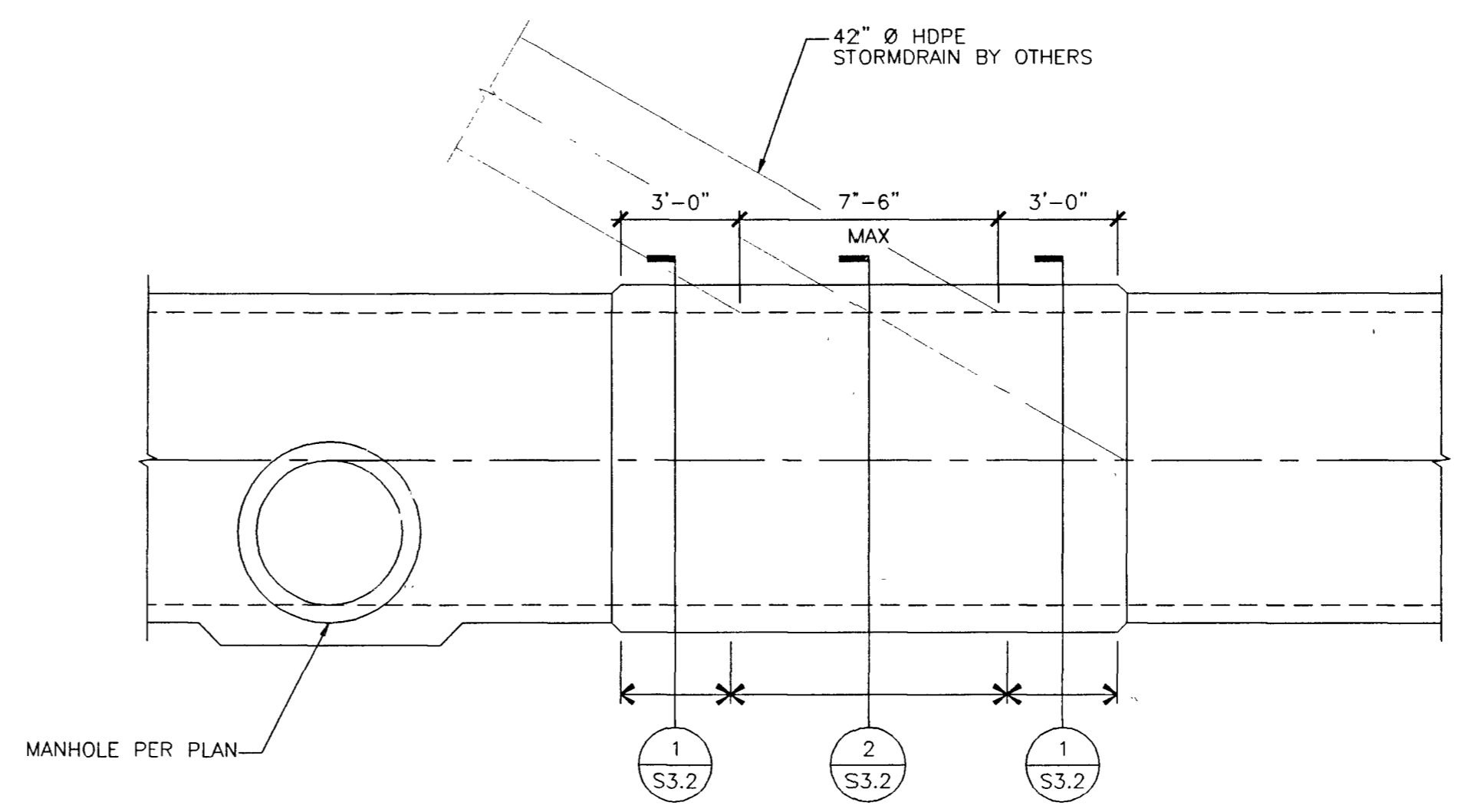


THIS PLAN, DRAWING AND DESIGN ARE THE EXCLUSIVE PROPERTY OF HYDRO-ARCH AND SHALL NOT BE REPRODUCED IN ANY FORM WITHOUT WRITTEN CONSENT. ALL RIGHTS ARE RESERVED. COPYRIGHT 2002 HYDRO-ARCH.

46623



1 ENLARGED PLAN VIEW OF TRANSITION AT EXISTING RCB TO ARCH
NO SCALE



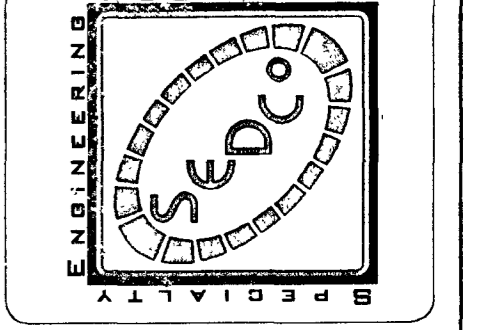
1 ENLARGED PLAN VIEW AT 42" Ø HDPE PENETRATION
NO SCALE

PLANS APPROVED
 SEP 19 2002
 DATE: OCT 19 2002

SEAL: SEP 19 2002

DESIGNED: GM
 DRAWN: AM
 CHECKED: GM
 APPROVED: WM

6380 S. VALLEY VIEW, STE 406
 LAS VEGAS, NEVADA 89118
 Phone: (702) 616-3107
 Fax: (702) 616-3725



HYDRO-ARCH
 980 MARY CREST ROAD, UNIT B
 HENDERSON, NV 89014

PROJECT: 8' x 4' ARCH CULVERT
 SPRING MOUNTAIN RANCH UNIT 91
 LAS VEGAS, NV
 FOR HYDRO-ARCH

SHEET TITLE: ENLARGED PLAN VIEWS

REV.	DESCRIPTION	DATE

DATE: SEPTEMBER 19, 2002
 PROJECT NUMBER: LV02124
 SHEET NUMBER: S1.2

10-1-4518-91