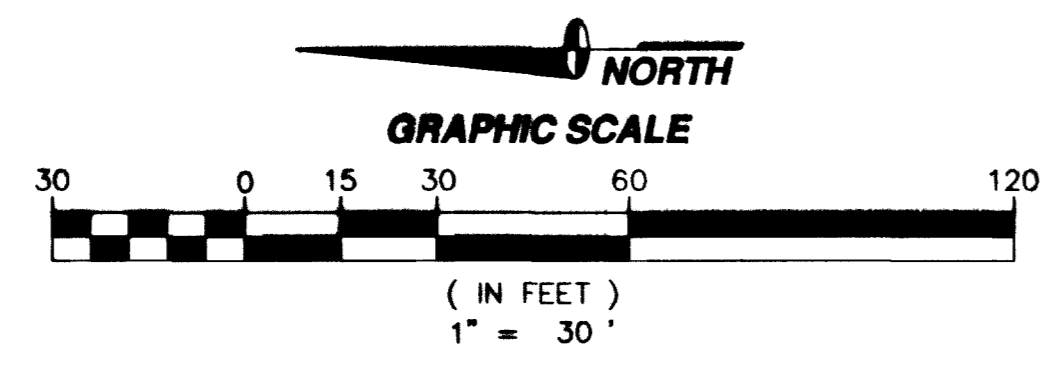
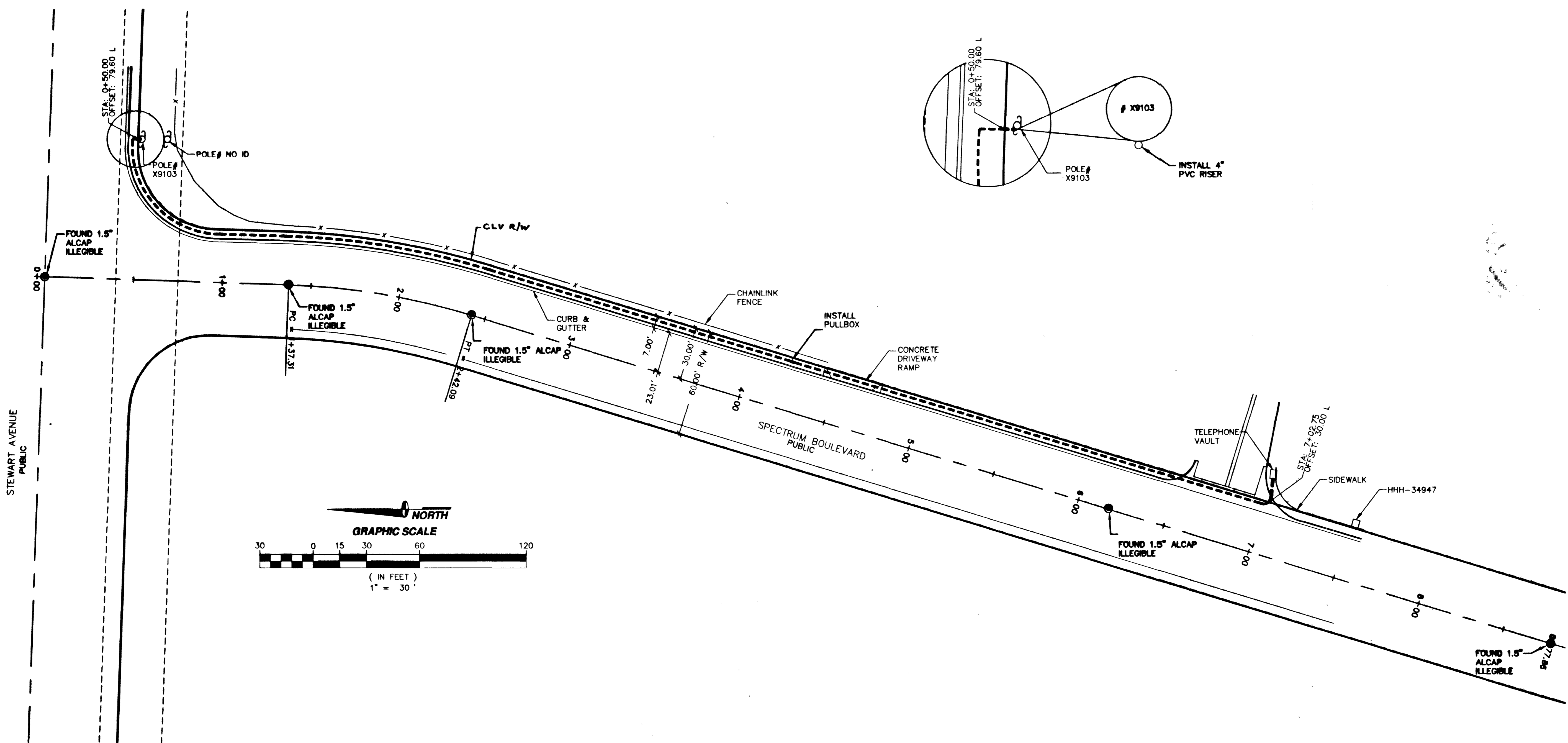
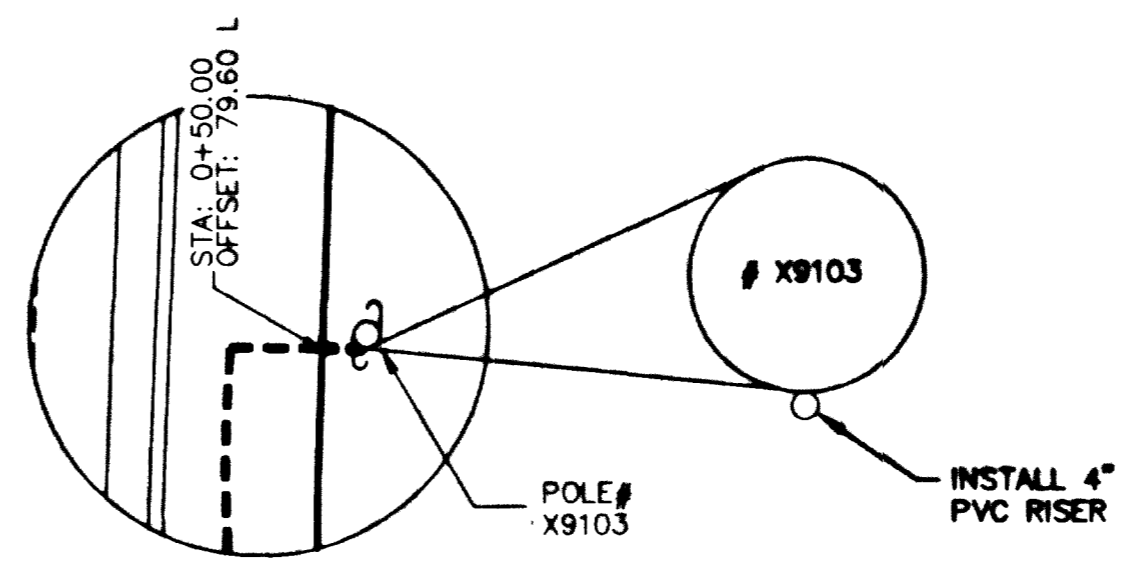
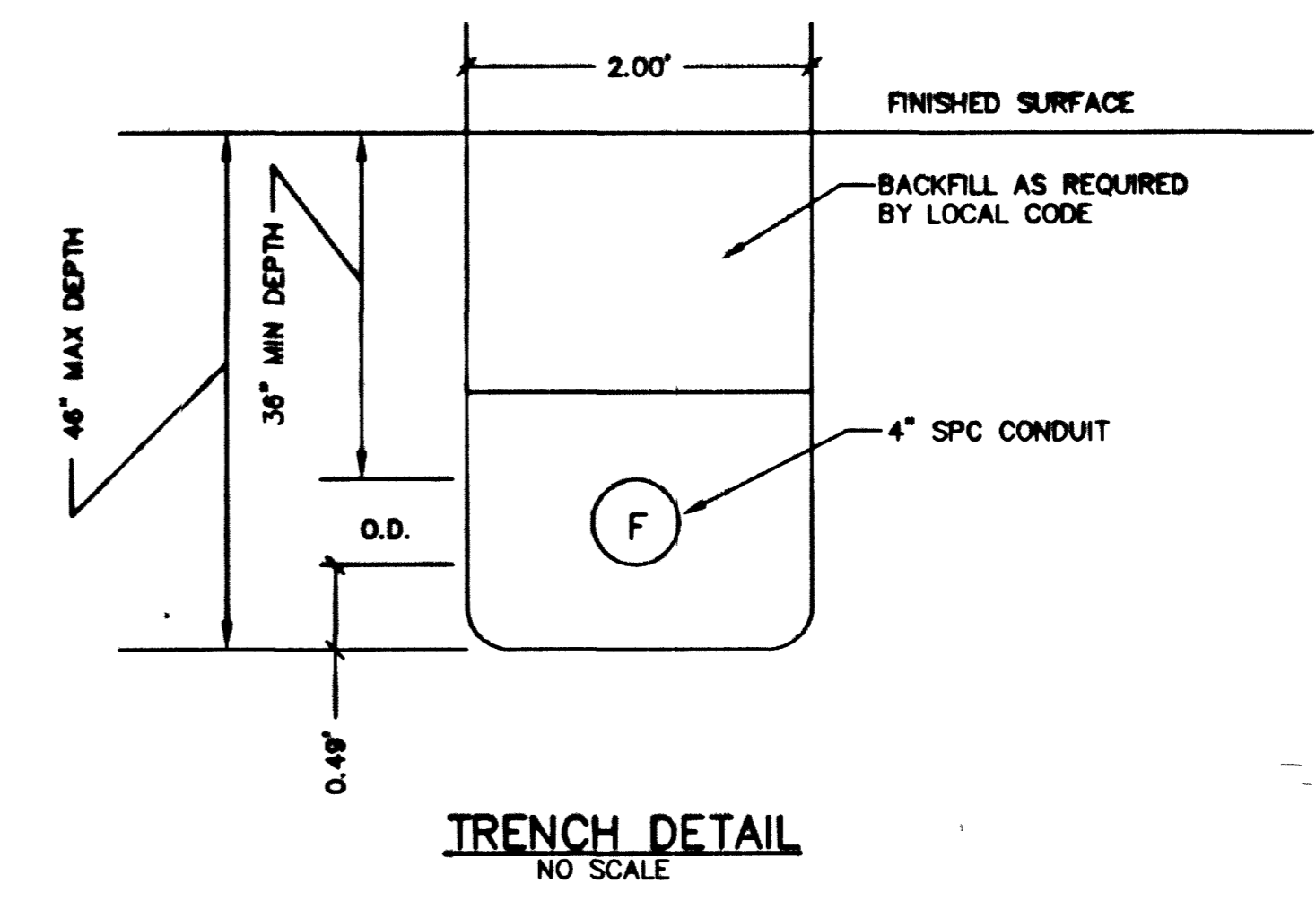


- RIGHT-OF-WAY LINE (NDOT)
- ==== RIGHT-OF-WAY LINE (CLV)
- - - - STREET CENTERLINE
- · — · SECTION LINE
- · — · OHW — · — · EXISTING OVERHEAD WIRE
- - - - 4" PVC CONDUIT IN CITY RIGHT-OF-WAY (UNDERGROUND IN CONDUIT)
- · · · · 4" PVC CONDUIT OUT OF CITY RIGHT-OF-WAY (UNDERGROUND IN CONDUIT)

LENGTH OF FIBER CABLE IN CITY RIGHT-OF-WAY

UNDERGROUND IN C.L.V. R/W
= 697.98 FEET



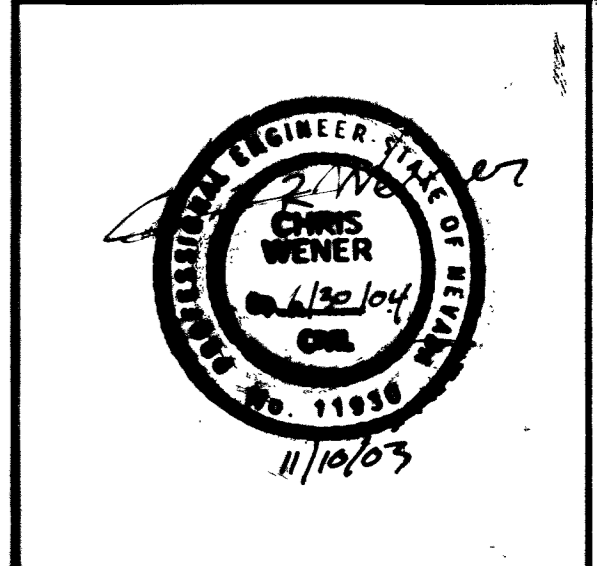
REV. #	DESCRIPTION	DATE
A		
B		
C		
D		
E		
F		

Sierra Pacific Communications
 5460 S. PECOS, BLDG. G, STE. 100
 LAS VEGAS, NV 89120
 PHONE: 702-946-7931
 FAX: 702-946-7929

SPECTRUM SURVEYING & ENGINEERING
 7351 W. CHARLESTON BOULEVARD
 SUITE 120
 LAS VEGAS, NEVADA 89117
 PH: (702) 367-7705
 FAX: (702) 367-8733

SPECTRUM
 BOULEVARD @
 STEWART AVENUE

DATE:	09/09/2003
JOB NO:	03076
DRAWN:	5
CHECKED:	DR
SCALE:	1" = 30'
CADD FILE:	CHAR-PECOS.DWG



W.O. NUMBER
 2003 - 090

ROUTE PLAN

SHEET 2 OF 2

60252