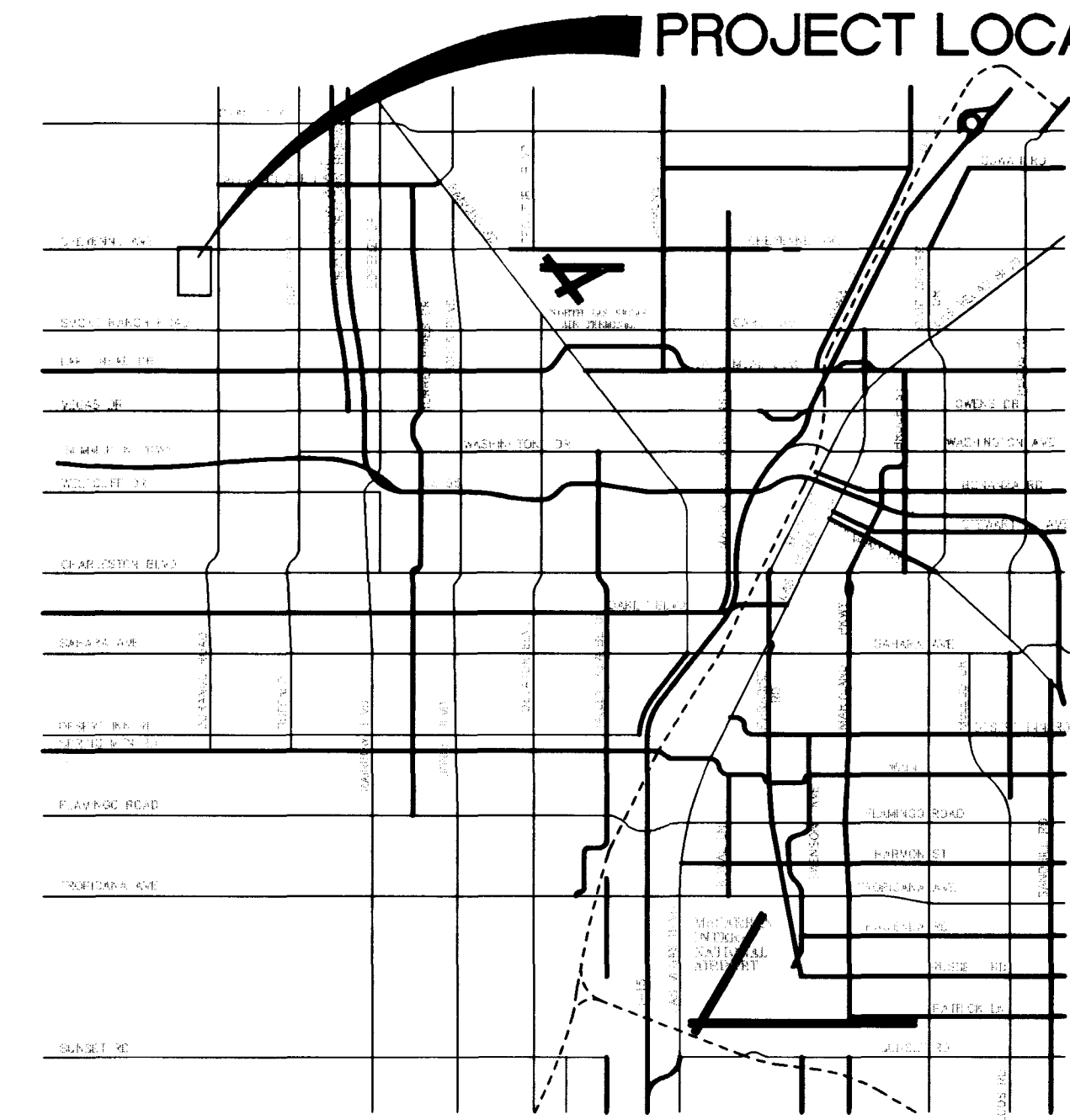
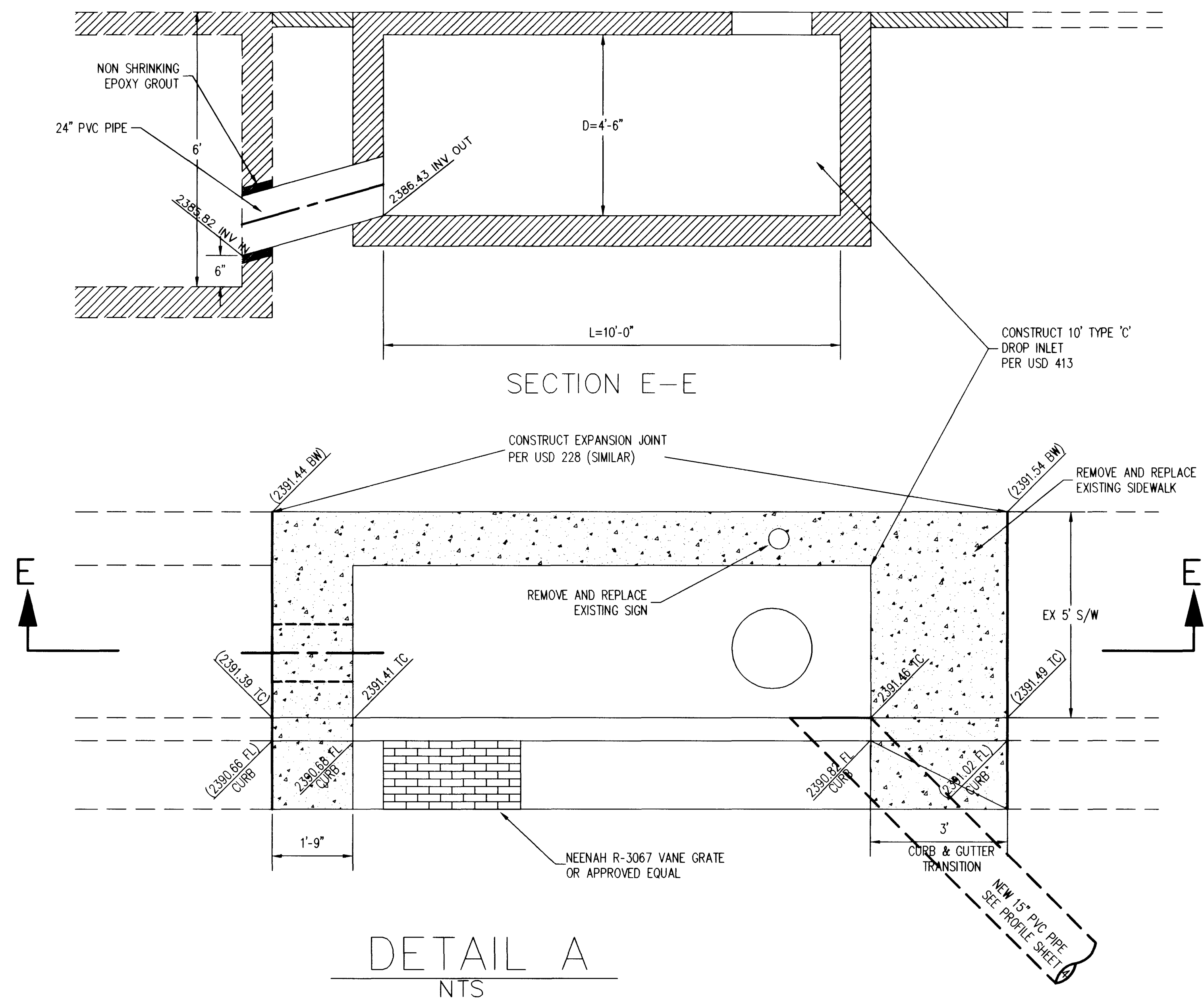


Call before you Dig.
1-800-227-2600

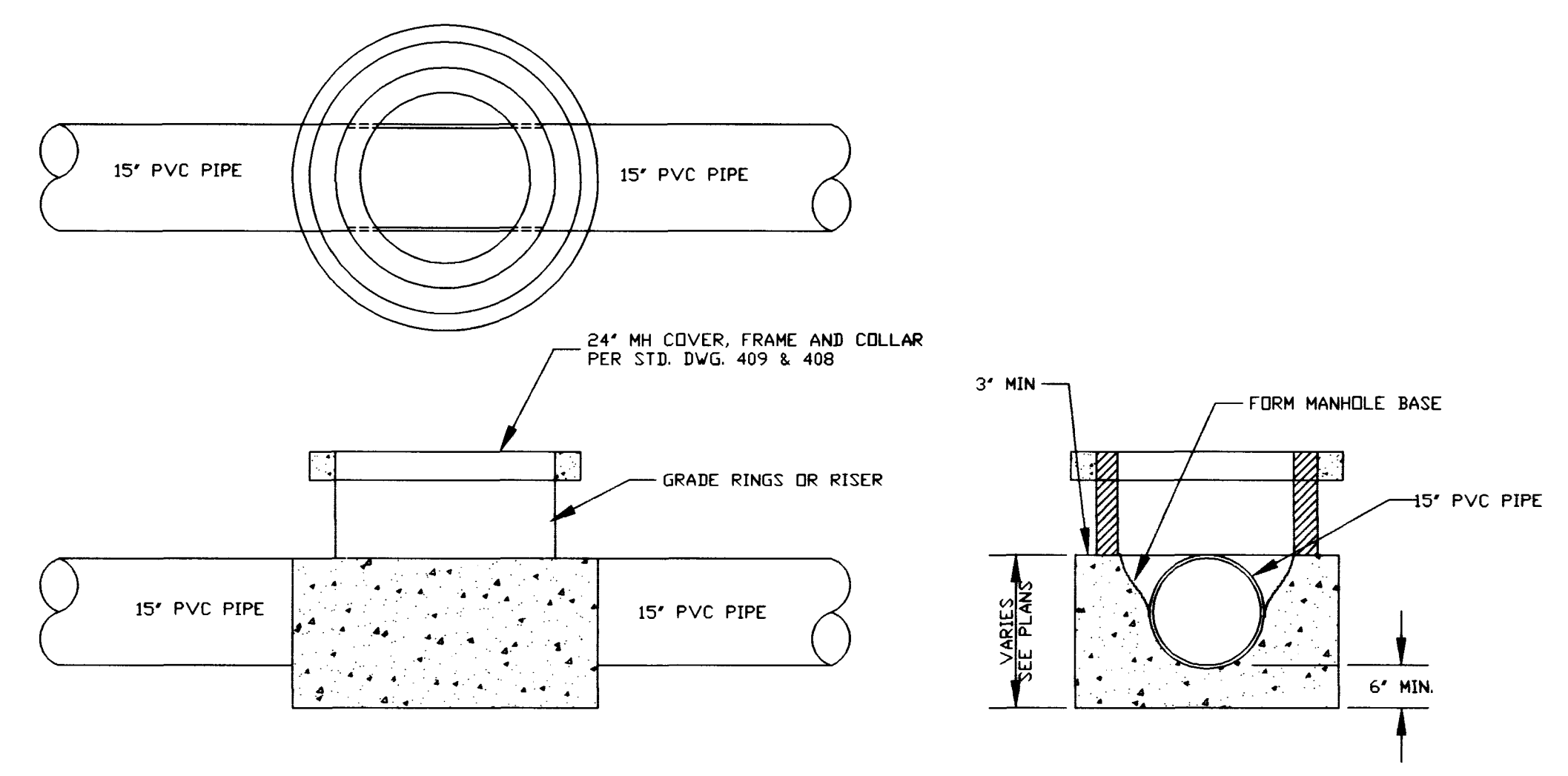
PROJECT LOCATION



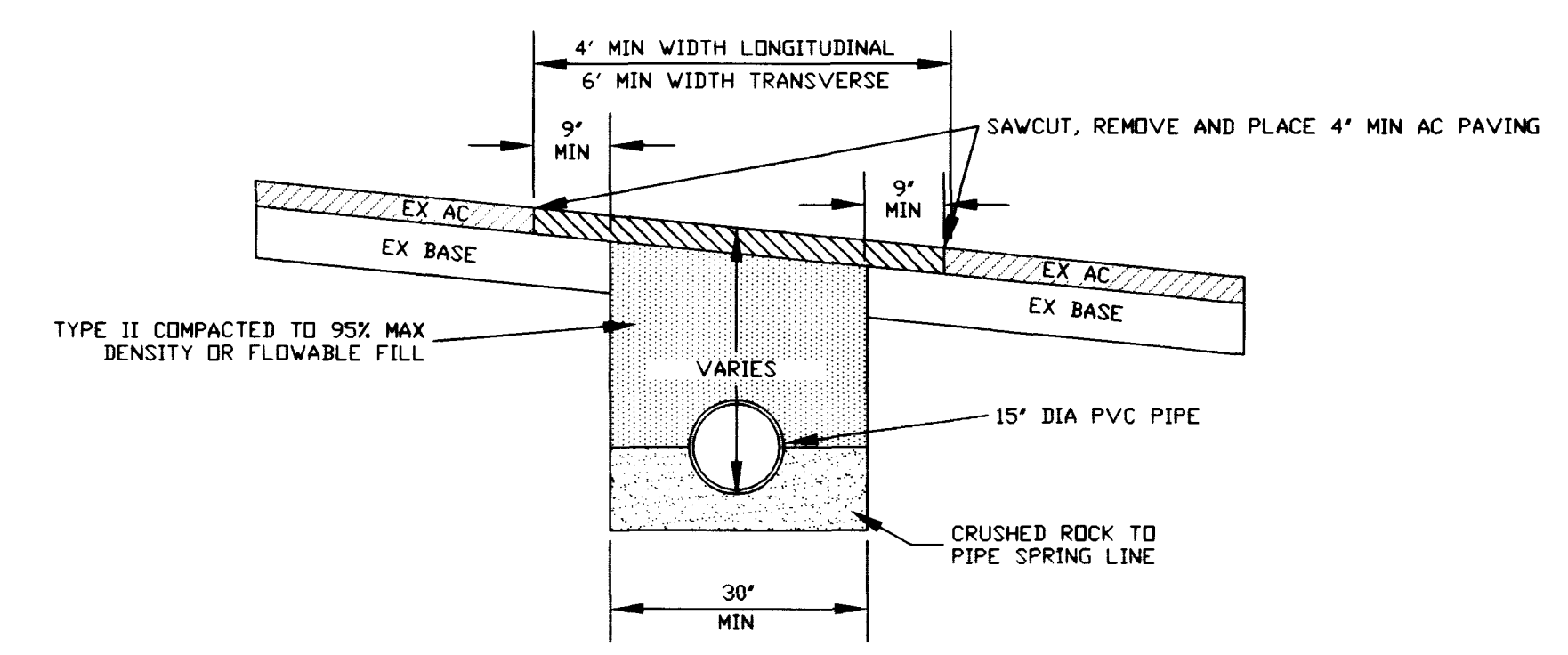
VICINITY MAP



DETAIL A
NTS



DETAIL B
24" STORM DRAIN MANHOLE
NTS



DETAIL C
TYPICAL TRENCH
NTS

SHEET INDEX

1. COVER SHEET
2. NOTES, LEGEND, AND INDEX
3. PLAN & PROFILE STA 9+65 TO 15+00
4. PLAN & PROFILE STA 15+00 TO 21+00
5. DETAILS

LAS VEGAS VALLEY WATER DISTRICT STANDARD NOTES

1. NO WORK SHALL BEGIN UNTIL THE WATER PLANS HAVE BEEN RELEASED FOR CONSTRUCTION BY THE LVVWD. FOLLOWING WATER PLAN APPROVAL, 48 HOUR NOTICE SHALL BE GIVEN THE LVVWD COMMUNICATION SUPPORT CENTER (258-7171) PRIOR TO THE START OF CONSTRUCTION. NOTICE MUST BE GIVEN BY 2:00 P.M. THE BUSINESS DAY PRIOR TO A LVVWD INSPECTION.
2. ALL WORK SHALL CONFORM TO LVVWD STANDARD PLATES, DRAWINGS, AND SPECIFICATIONS, AND THE UNIFORM DESIGN STANDARDS FOR WATER DISTRIBUTION SYSTEMS, LATEST EDITION.
3. ALL WORK, EXCEPT AS MODIFIED BY THESE PLANS OR BY NOTE 2, SHALL BE DONE IN ACCORDANCE WITH THE MOST CURRENT DRAFT OR EDITION OF THE UNIFORM STANDARD SPECIFICATIONS FOR PUBLIC WORKS CONSTRUCTION OFFSITE IMPROVEMENT, CLARK COUNTY AREA.
4. A SINGLE PIPE MATERIAL SHALL BE USED THROUGHOUT THE PROJECT UNLESS OTHERWISE APPROVED BY THE LVVWD.
5. ALL SERVICE LATERALS TWO (2) INCHES IN DIAMETER AND SMALLER SHALL BE COPPER TUBING WITH LVVWD APPROVED SERVICE SADDLES.
6. ALL WATER METER SHALL BE LOCATED OUTSIDE OF DRIVEWAY AREAS.
7. ALL VALVES SHALL BE LOCATED OUTSIDE OF DRIVEWAYS, VALLEY AND CURB GUTTERS.
8. THE FOLLOWING REQUIREMENTS MUST BE MET IN THE EVENT A WATER LINE AND SANITARY OR STORM SEWER LINE CROSS:
 - A. A MINIMUM EIGHTEEN (18) INCH VERTICAL SEPARATION (OUTSIDE TO OUTSIDE) MUST BE MAINTAINED WHEN THE WATER LINE IS INSTALLED OVER THE SANITARY OR STORM SEWER LINE. IF THE VERTICAL SEPARATION CANNOT BE MAINTAINED OR THE WATER LINE MUST BE PLACED UNDER THE SANITARY OR STORM SEWER LINE, THE SANITARY OR STORM SEWER LINE MUST BE CONSTRUCTED WITH ONE OF THE FOLLOWING OR, AS SHOWN ON THESE PLANS:
 - A. POTABLE WATER SUPPLY QUALITY MATERIAL
 - B. ENCASEMENT, WITH FOUR (4) INCH CONCRETE (MINIMUM)
 - C. SLEEVING WITH POTABLE WATER SUPPLY QUALITY PIPE
 - EACH PROVISION MUST EXTEND ALONG THE SANITARY OR STORM SEWER, ON EITHER SIDE OF THE MAIN, A MINIMUM 10 FOOT DISTANCE PERPENDICULAR TO THE WATER MAIN EXTERIOR.
9. WARNING TAPE SHALL BE REQUIRED OVER ALL MAINS, ALL SIX (6) INCH DIAMETER AND LARGER SERVICE LATERALS, AND ANY SERVICE LATERAL NOT INSTALLED PERPENDICULAR TO THE MAIN IN ACCORDANCE WITH STANDARD PLATE NO. 27.
10. ALL WATER FACILITIES SHALL BE FILLED, DISINFECTED, PRESSURE TESTED, FLUSHED, FILLED AND AN ACCEPTABLE WATER SAMPLE OBTAINED, PRIOR TO CONNECTION TO THE LVVWD'S DISTRIBUTION SYSTEM.
11. THE CONTRACTOR MUST OBTAIN ALL METERS TWO (2) INCHES AND SMALLER FROM LVVWD CENTRAL STORES. TELEPHONE 258-3152 FORTY-EIGHT (48) HOURS PRIOR TO PICKUP.
12. CONSTRUCTION MAY INTERRUPT SERVICE, WITH LVVWD APPROVAL AND PROPER NOTIFICATION, BETWEEN THE HOURS OF 10 PM AND 6 AM, SUNDAY THROUGH THURSDAY. CIRCUMSTANCES MAY REQUIRE TEMPORARY SERVICE FEEDS BE INSTALLED, WITHOUT LVVWD REIMBURSEMENTS. ANY TEMPORARY SERVICE FEED MUST HAVE PRIOR LVVWD APPROVAL.
13. ALL WATER FACILITY CONSTRUCTION MATERIALS USED MUST BE AS LISTED ON THE LVVWD'S PRE-APPROVED MATERIALS AND MANUFACTURERS LISTING FOR NEW FACILITIES, LATEST REVISION, OR SPECIFICALLY APPROVED ON THESE PLANS.

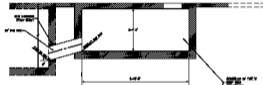
RECEIVED MAY 26, 1995

APPROVED FOR CONSTRUCTION ESN:018

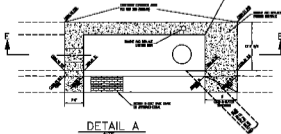
Brianne O'Neil
LAS VEGAS VALLEY WATER DISTRICT
DATE 10-14-97

CITY OF LAS VEGAS DEPARTMENT OF PUBLIC WORKS	
ENGINEERING DESIGN SECTION	
CITY ENGINEER: DENNIS ANDERSON, P.E. PROJECT MANAGER: ED NETENSTROM, P.E.	
DESIGNED BY: ESN/MS	DATE: _____
CHECKED BY: ESN	DATE: _____
PROJECT NO: WU-9473	SCALE: H: N/A V: _____
SHEET _____ OF _____	
TITLE: SOFT BREEZES STORM DRAIN	
DRAWN BY: _____	
DATE: _____	
DESIGNED BY: _____	
DATE: _____	
CHECKED BY: _____	
DATE: _____	
PROJECT NO: WU-9473	
SCALE: H: N/A V: _____	
SEAL: _____	
2 OF 5 SHEETS	
DRAWING NO. 327-V247	

L:\DEPT\DESIGN\AST\9242-4 Thu Oct 09 13:22:09 1997 METUO DRAFT

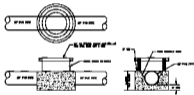


SECTION E-E



DETAIL A

NTS



DETAIL B

24" STORM DRAIN MANHOLE

NTS



DETAIL C

TYPICAL TRENCH

NTS



VICINITY MAP

SHEET INDEX

1. COVER SHEET
2. NOTES, LEGEND, AND INDEX
3. PLAN & PROFILE STA 8+00 TO 15+00
4. PLAN & PROFILE STA 15+00 TO 21+00
5. DETAILS

LAS VEGAS VALLEY WATER DISTRICT STANDARD NOTES

1. ALL WORK SHALL BE IN ACCORDANCE WITH THE STANDARD SPECIFICATIONS FOR PUBLIC WORKS OF THE STATE OF NEVADA, LATEST EDITION, AND THE CITY OF LAS VEGAS STANDARD SPECIFICATIONS FOR PUBLIC WORKS, LATEST EDITION.
2. ALL MATERIALS SHALL BE OF THE BEST QUALITY AVAILABLE AND SHALL BE SUBJECT TO INSPECTION AND APPROVAL BY THE DISTRICT ENGINEER.
3. ALL WORK SHALL BE DONE IN ACCORDANCE WITH THE DISTRICT STANDARD NOTES AND THE CITY OF LAS VEGAS STANDARD SPECIFICATIONS FOR PUBLIC WORKS, LATEST EDITION.
4. ALL WORK SHALL BE DONE IN ACCORDANCE WITH THE DISTRICT STANDARD NOTES AND THE CITY OF LAS VEGAS STANDARD SPECIFICATIONS FOR PUBLIC WORKS, LATEST EDITION.
5. ALL WORK SHALL BE DONE IN ACCORDANCE WITH THE DISTRICT STANDARD NOTES AND THE CITY OF LAS VEGAS STANDARD SPECIFICATIONS FOR PUBLIC WORKS, LATEST EDITION.
6. ALL WORK SHALL BE DONE IN ACCORDANCE WITH THE DISTRICT STANDARD NOTES AND THE CITY OF LAS VEGAS STANDARD SPECIFICATIONS FOR PUBLIC WORKS, LATEST EDITION.
7. ALL WORK SHALL BE DONE IN ACCORDANCE WITH THE DISTRICT STANDARD NOTES AND THE CITY OF LAS VEGAS STANDARD SPECIFICATIONS FOR PUBLIC WORKS, LATEST EDITION.
8. ALL WORK SHALL BE DONE IN ACCORDANCE WITH THE DISTRICT STANDARD NOTES AND THE CITY OF LAS VEGAS STANDARD SPECIFICATIONS FOR PUBLIC WORKS, LATEST EDITION.
9. ALL WORK SHALL BE DONE IN ACCORDANCE WITH THE DISTRICT STANDARD NOTES AND THE CITY OF LAS VEGAS STANDARD SPECIFICATIONS FOR PUBLIC WORKS, LATEST EDITION.
10. ALL WORK SHALL BE DONE IN ACCORDANCE WITH THE DISTRICT STANDARD NOTES AND THE CITY OF LAS VEGAS STANDARD SPECIFICATIONS FOR PUBLIC WORKS, LATEST EDITION.

CITY OF LAS VEGAS DEPARTMENT OF PUBLIC WORKS
 PROJECT NO. 15-000000-0000
 SHEET NO. 15-000000-0000
 DATE: 10/15/15
 DRAWN BY: [Name]
 CHECKED BY: [Name]
 APPROVED BY: [Name]