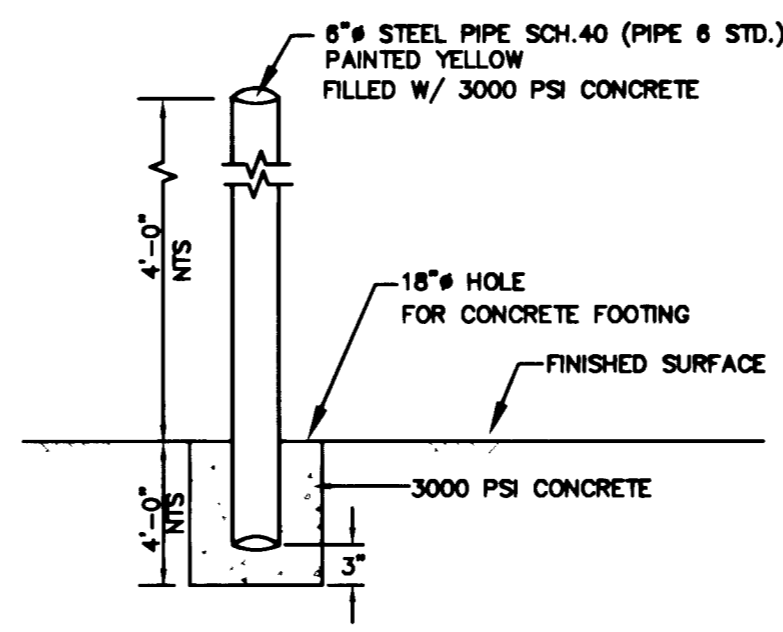
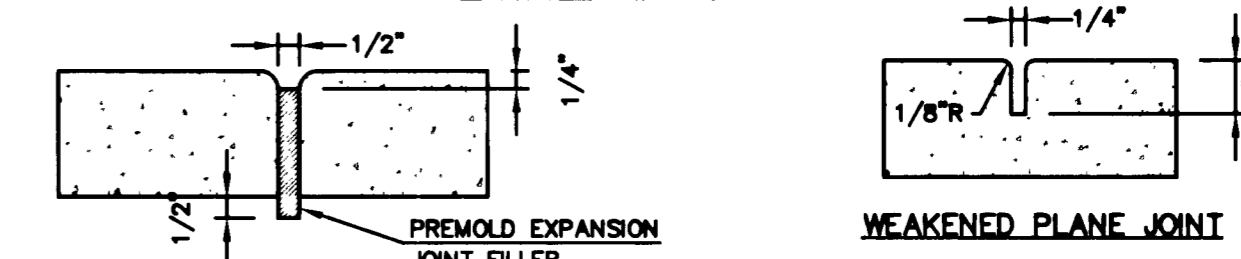
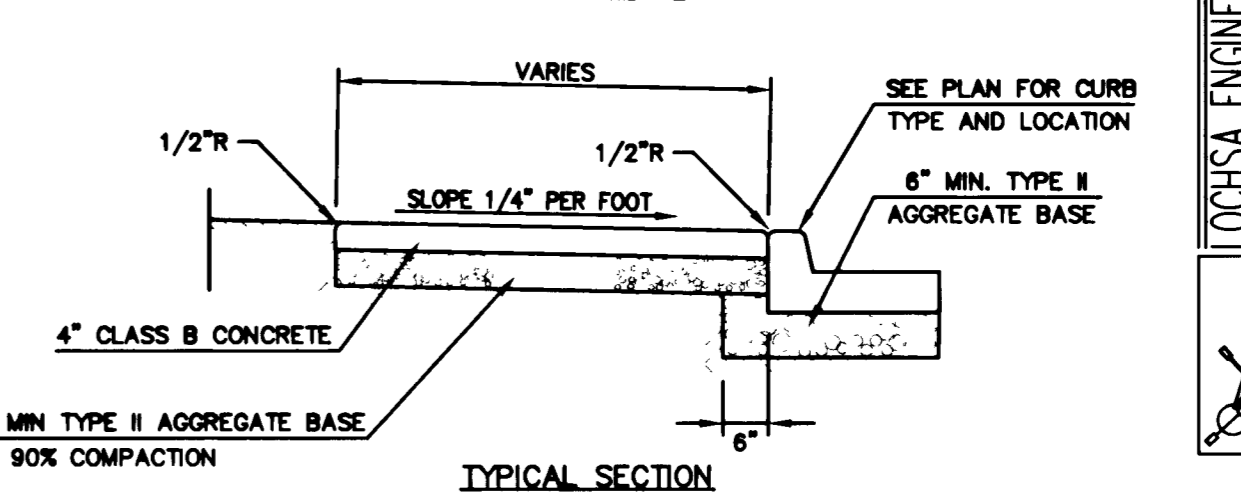
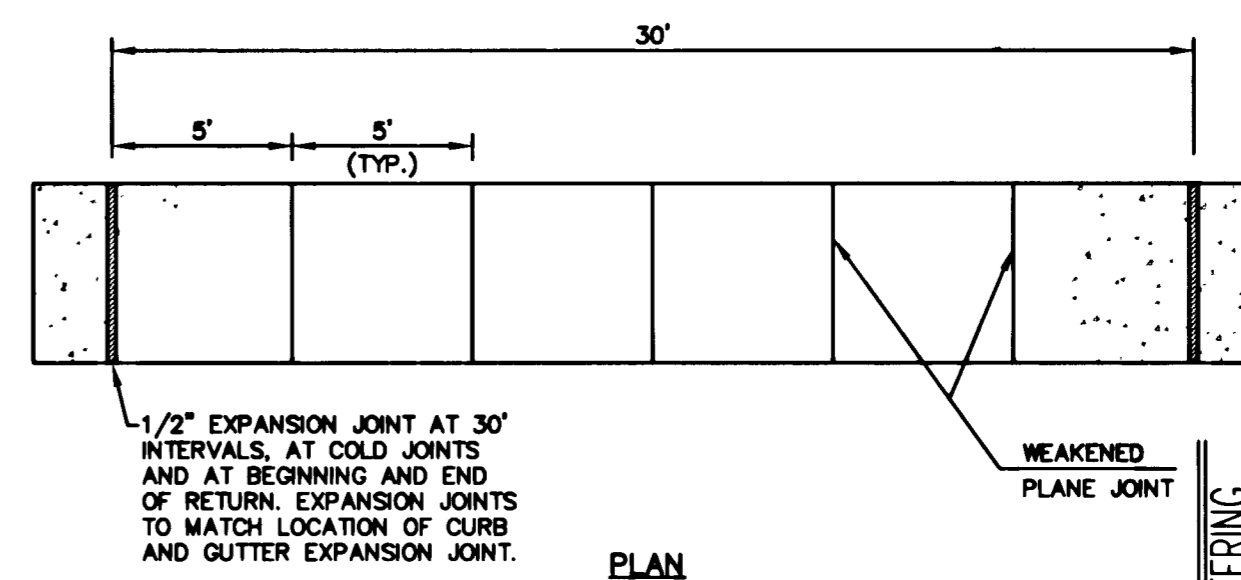


**CLEAN-OUT**  
NOT TO SCALE (9)  
C7

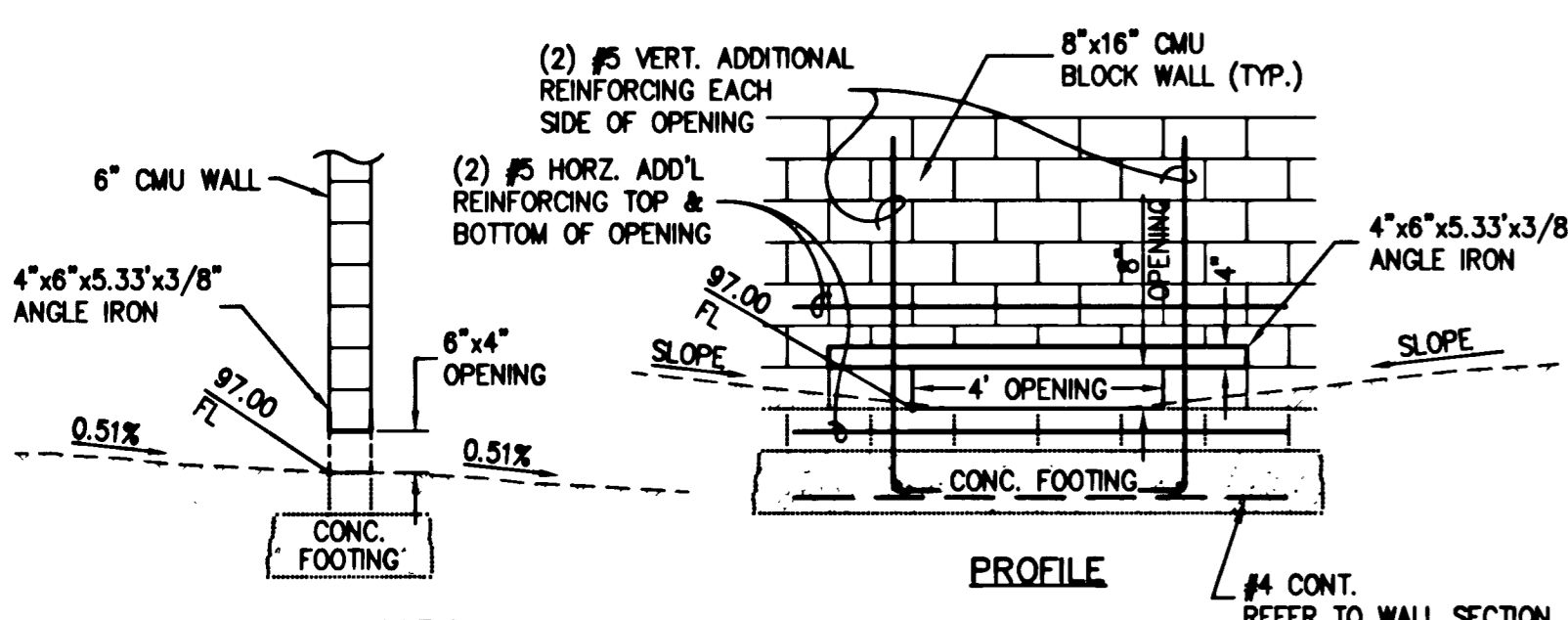


**BOLLARD POST**  
NOT TO SCALE (5)  
C7



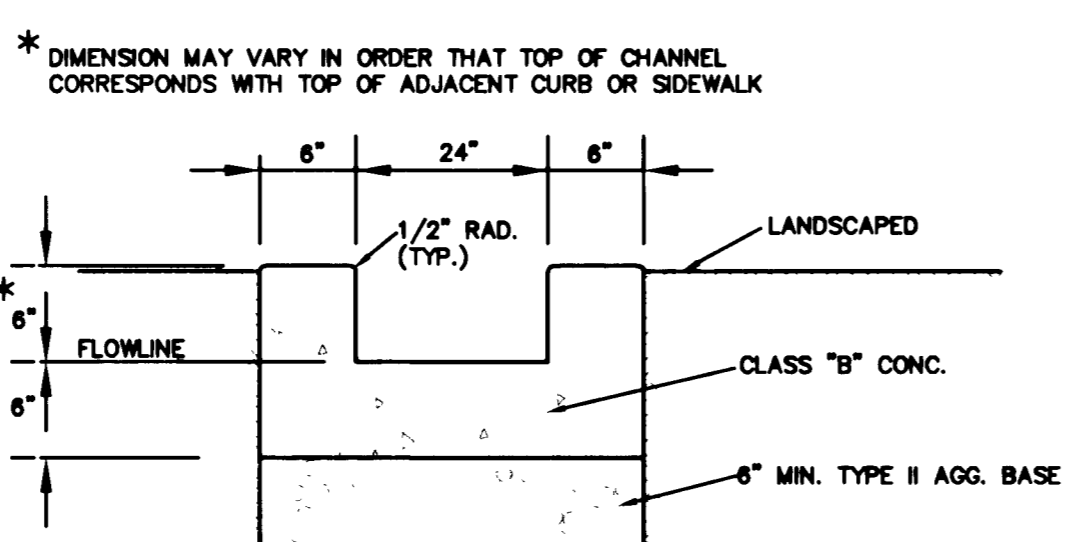
**EXPANSION JOINT**  
NOT TO SCALE (2)  
C7

**SIDEWALK**  
NOT TO SCALE CCAUSD #234 (2)  
C7

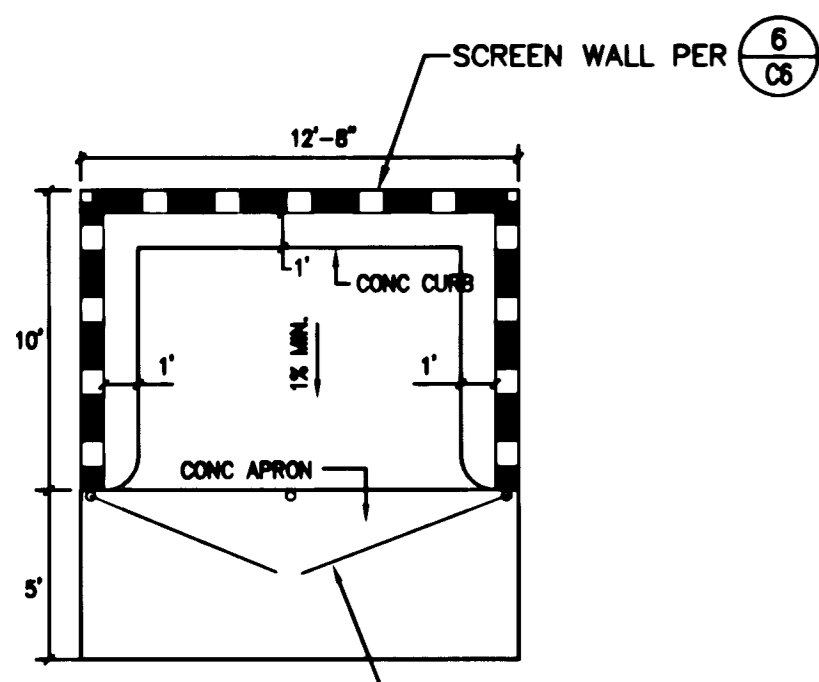


**BLOCK WALL OPENING**  
NOT TO SCALE (11)  
C7

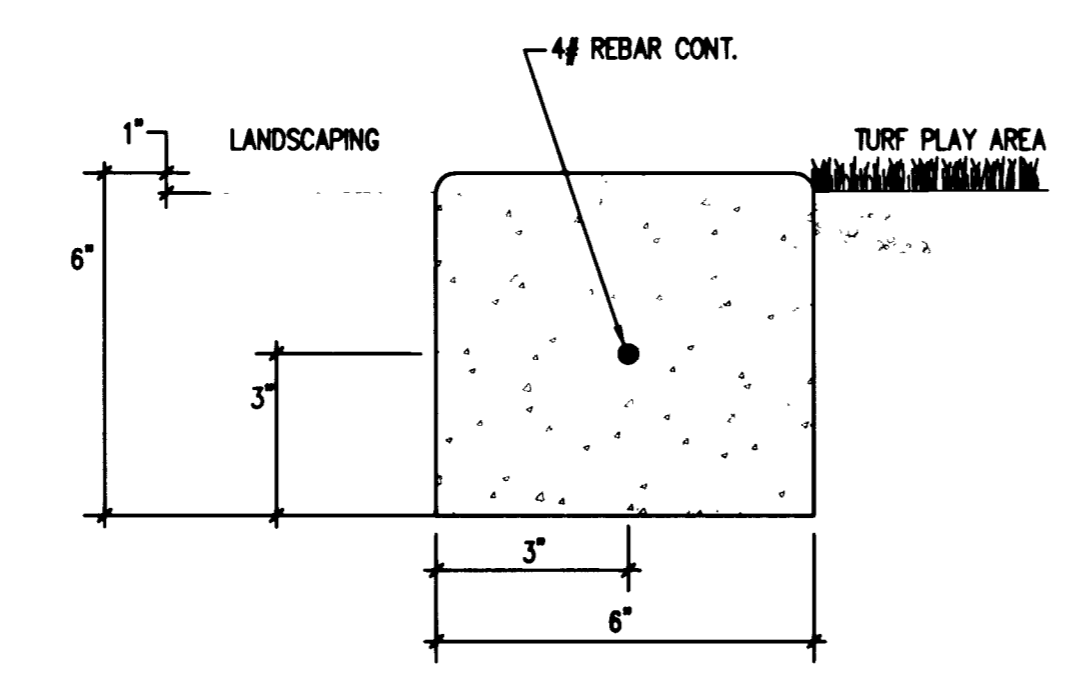
**NOT USED**  
NOT TO SCALE (8)  
C7



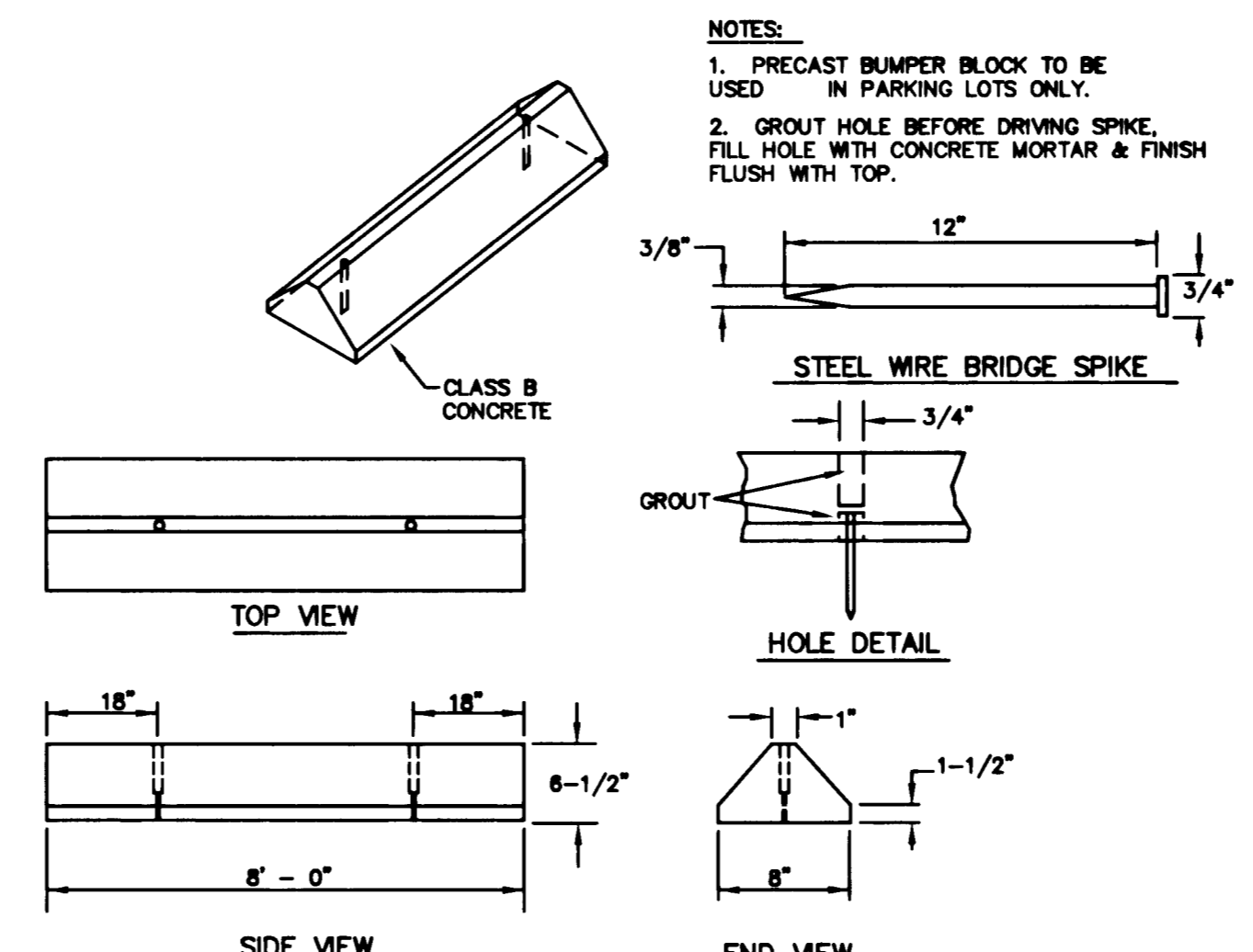
**2\"/> CHANNEL**  
NOT TO SCALE (7)  
C6



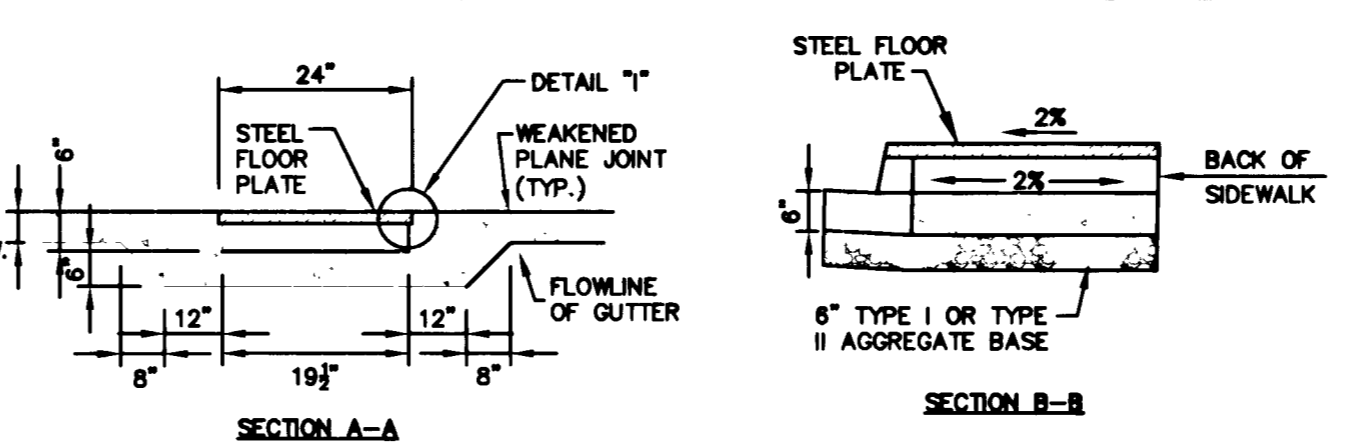
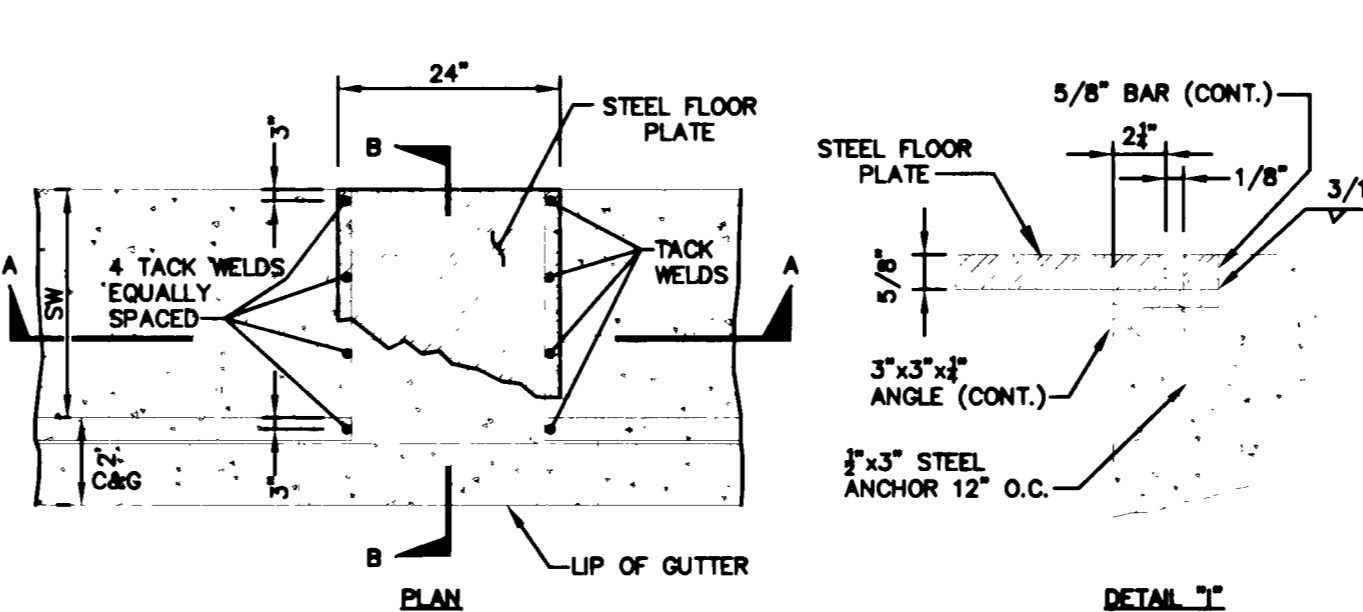
**TRASH ENCLOSURE - PLAN**  
NOTE: SEE ARCH PLANS FOR ADDITIONAL DETAILS ON TRASH ENCLOSURE.  
**TRASH ENCLOSURE**  
NOT TO SCALE (10)  
C7



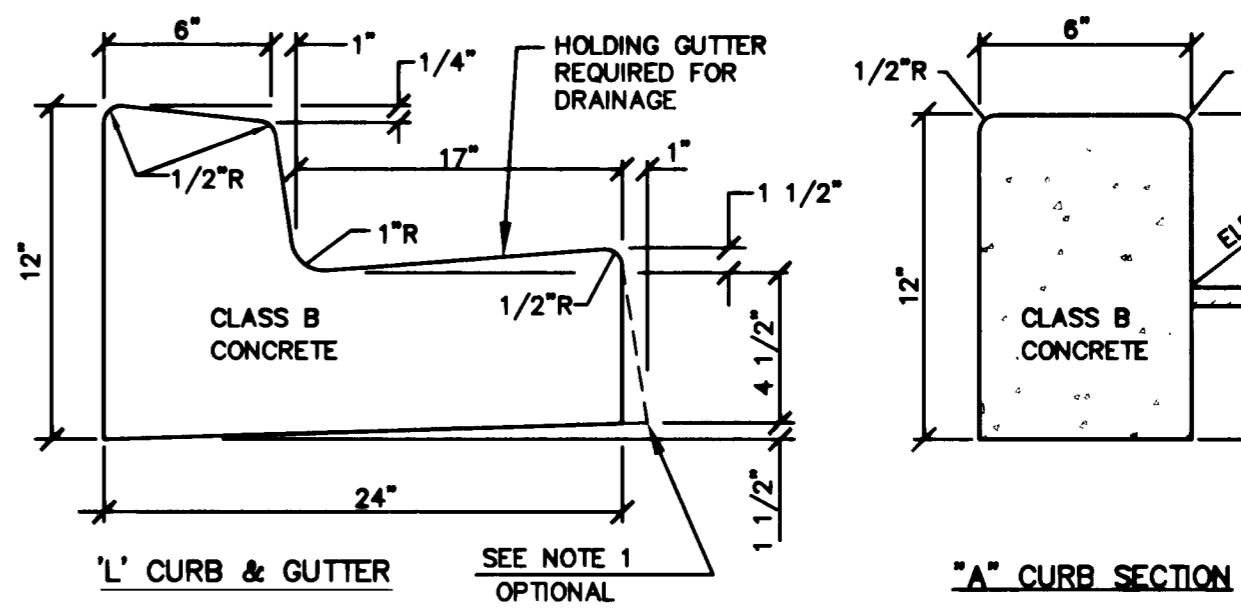
**MOW CURB DETAIL**  
NOT TO SCALE (6)  
C7



**PRECAST BUMPER BLOCK - ON SITE**  
NOT TO SCALE (4)  
C7



**SIDEWALK DRAIN**  
NOT TO SCALE CCAUSD #236 (3)  
C7

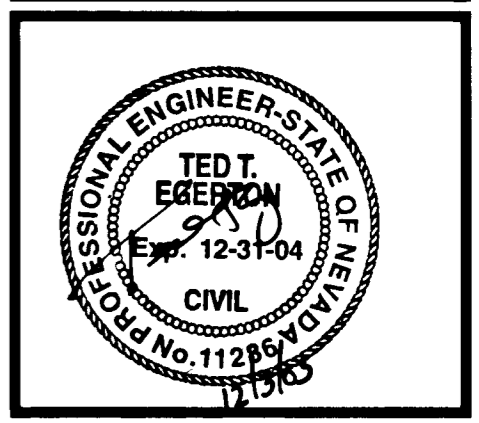


**ON-SITE 'L' & 'A' CURB DETAILS**  
NOT TO SCALE CCAUSD #216 (1)  
C7

**LOCHSA ENGINEERING**  
3628 Spring Mountain Rd.  
Las Vegas, Nevada 89146  
Lic. No. 68073  
Phone: (702) 362-8317

REVISIONS	BY

CONSULTANTS:



**PGA** Perez-Green Architects, INC.  
ARCHITECTURE • COMMERCIAL • RESIDENTIAL  
3305 W. Spring Mountain Rd., Suite 52 • Las Vegas, NV 89102 • (702) 362-8874

PROJECT: **SMART START DAY CARE CENTER**  
1260 OWENS AVE.  
LAS VEGAS, NEVADA

SHEET TITLE: **DETAIL SHEET**

DATE: 3/05/2003  
SCALE: AS SHOWN  
DRAWN:  
JOB NO.:

SHEET **C7**  
7 OF 7 SHEETS  
10743000

F:\CAD\6501\dwg\6501.dwg, 12/03/03 08:32:59 AM, MRRCD, L1, Lochsa Civil

61684