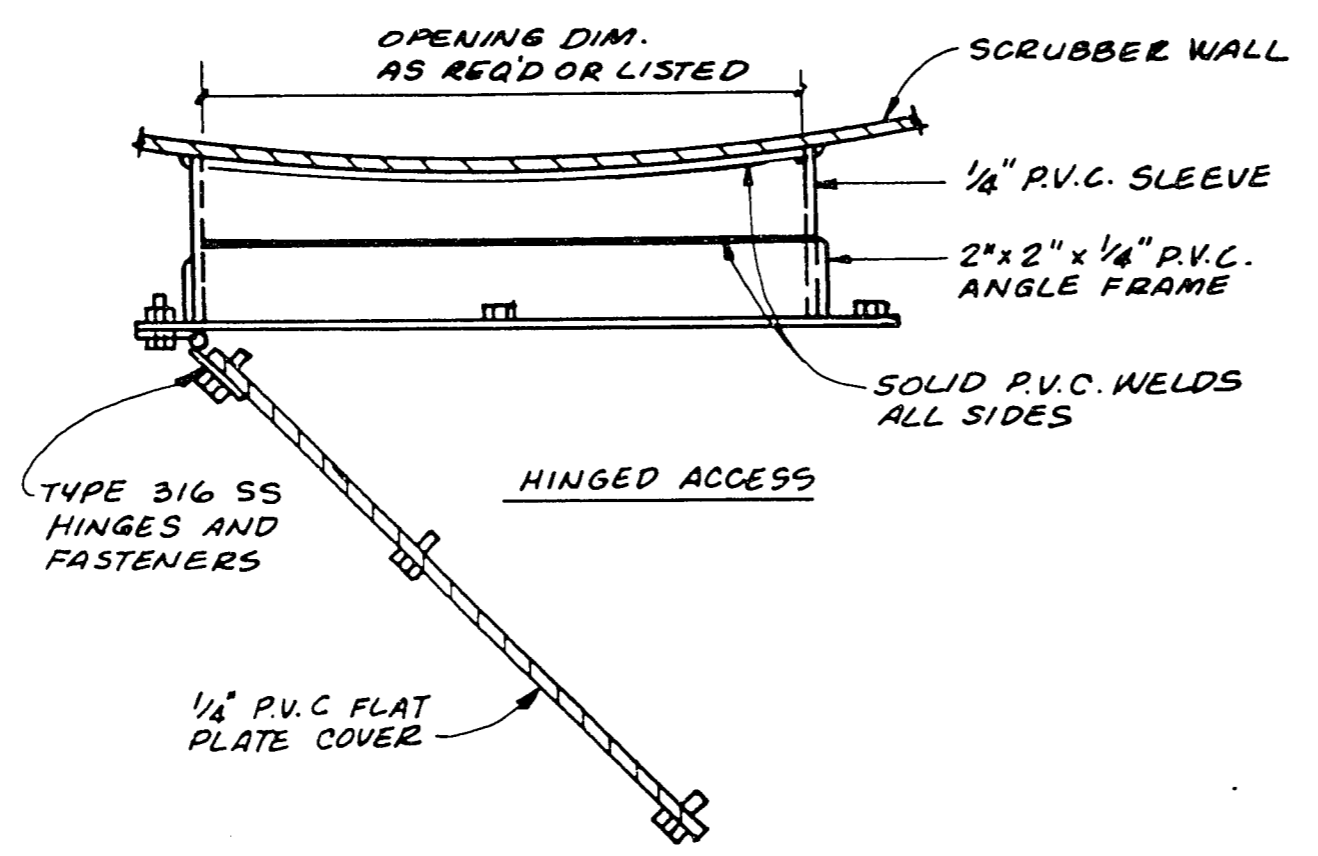
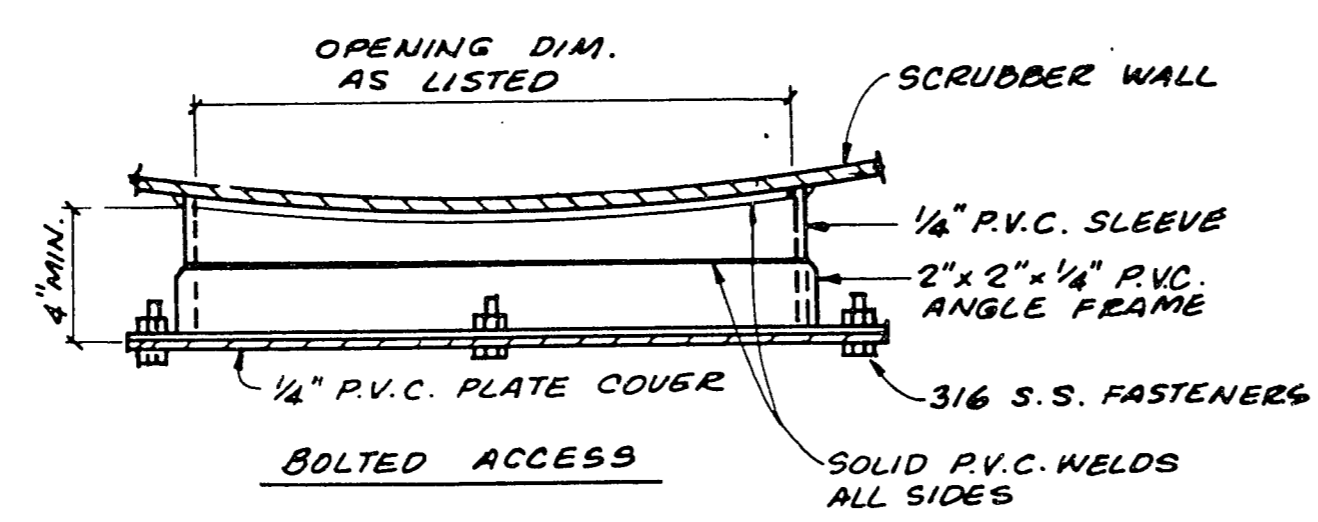
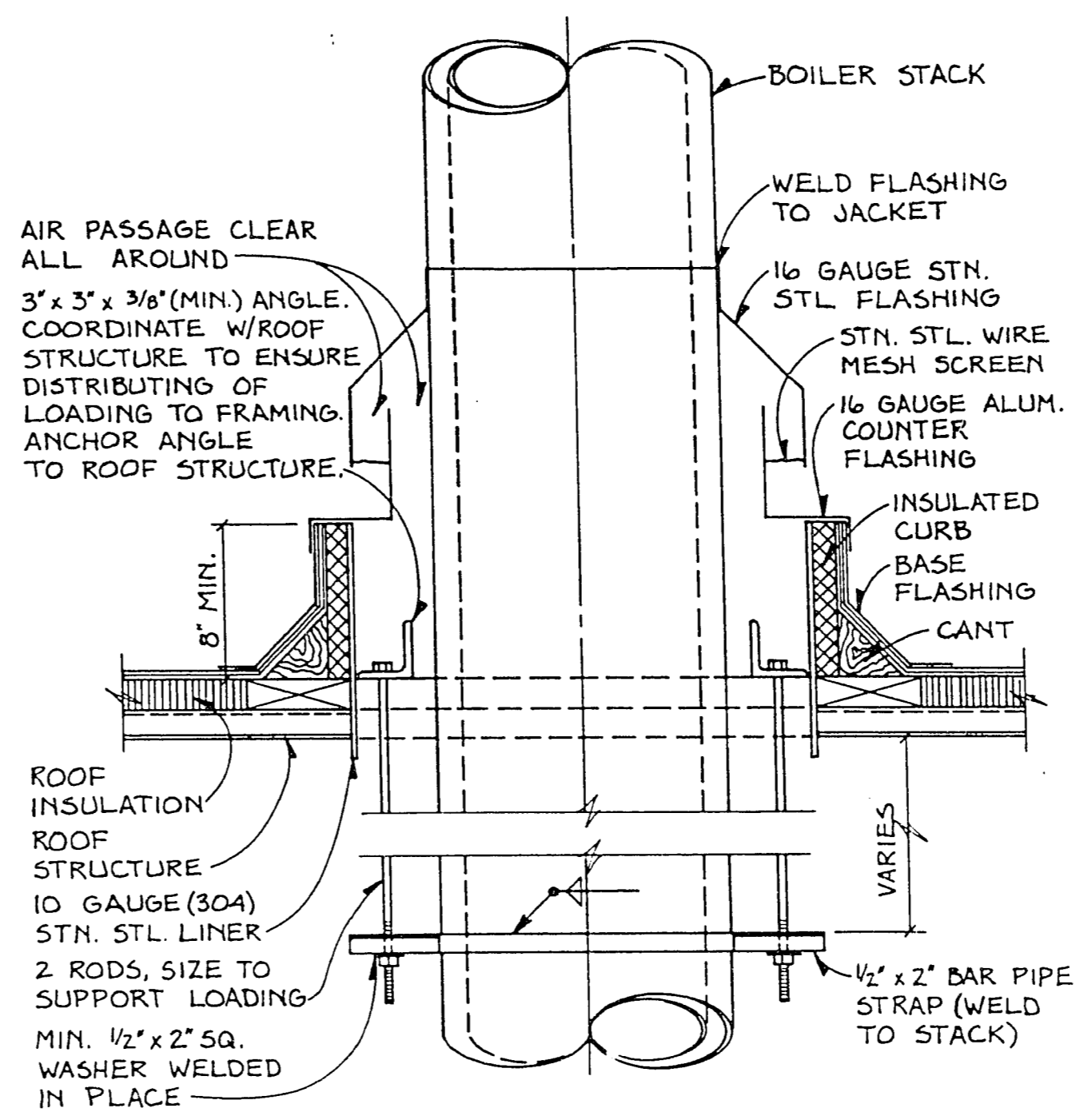


- NOTE:
- A. POTABLE WATER, MAKE-UP WATER TO COOLER (SEE PLAN DWG)
 - B. CONN. TO FLOAT VALVE MAKE-UP WITH VACUUM BREAKER
 - C. CIRCULATING PUMP
 - D. DRAIN & OVER FLOW
 - E. BLEED-OFF LINE
 - F. SECURE DUCT TO ROOF CONSTRUCTION
 - G. COOLER BLEED OFF DRAIN
 - H. 6"x6"x1/8" STL. PADS, WELD TO STAND ANCHOR TO ROOF. SET IN MASTIC.
 - I. 2x2x1/8" WELDED ANGLE STAND
 - J. PREFABRICATED ROOF CURB (SEE DETAIL)
 - K. AUTOMATIC STOP & WASTE VALVE INSIDE BLDG.
 - L. MAKE-UP WATER SOLENOID VALVE
 - M. MAKE-UP WATER LINE DRAIN SOLENOID VALVE
 - N. COOLER SUMP DRAIN SOLENOID VALVE
 - O. NEEDLE VALVE

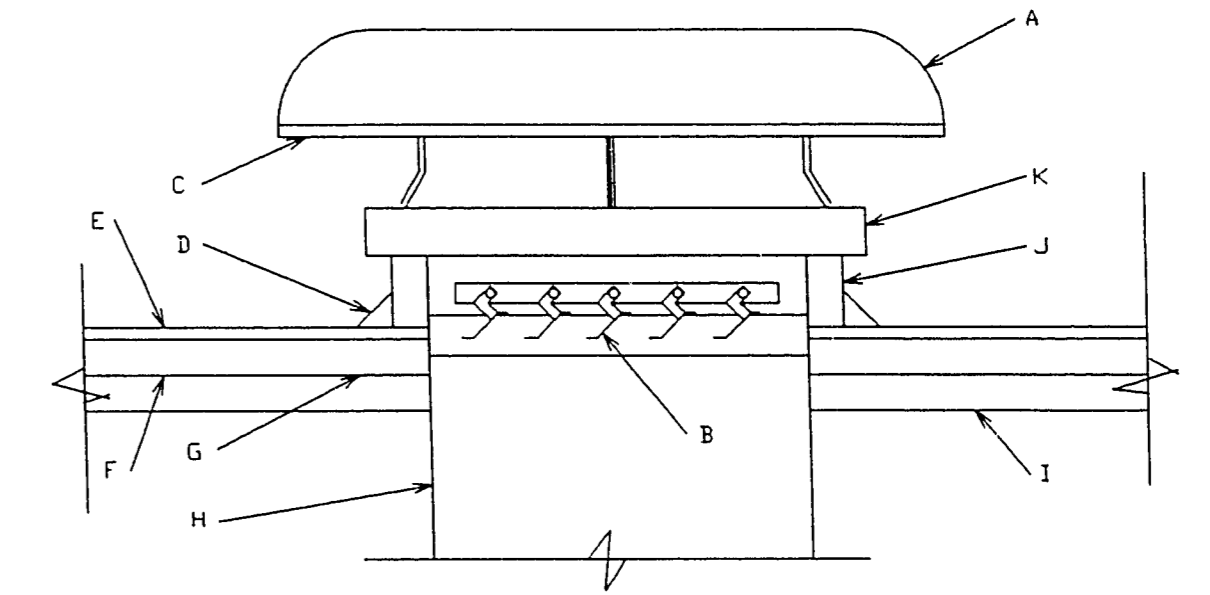
EVAPORATIVE COOLER DETAIL



WET SCRUBBER ACCESS COVER DETAIL

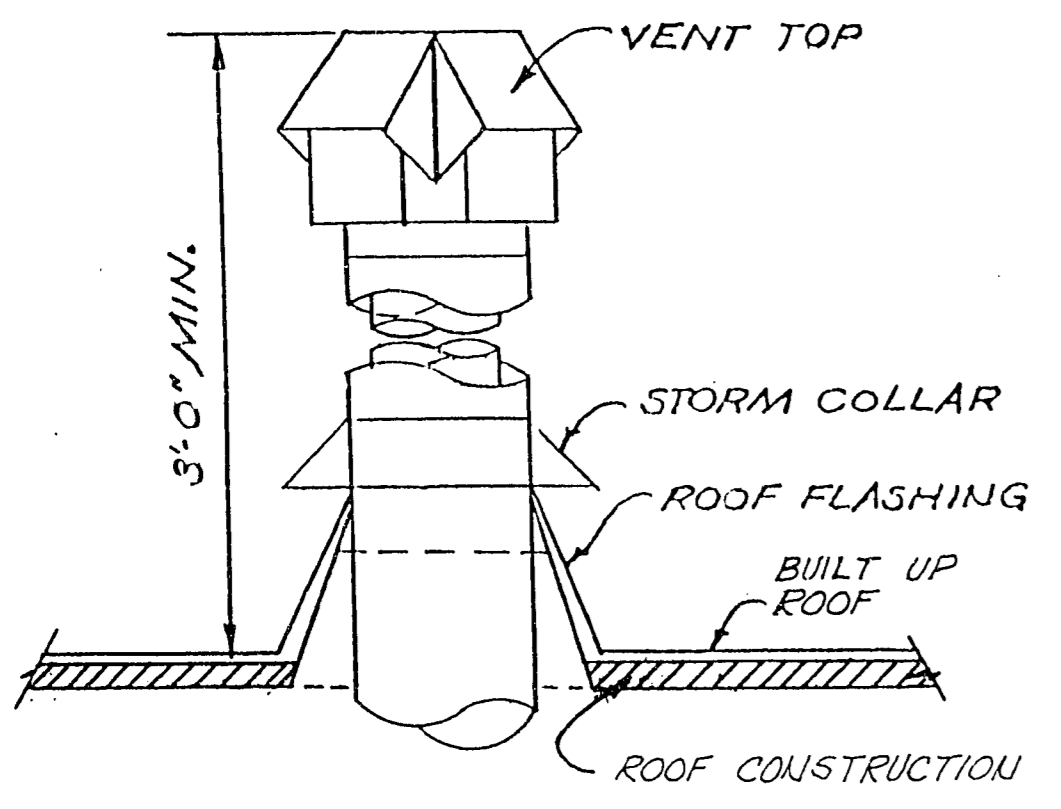


BOILER STACK DETAIL

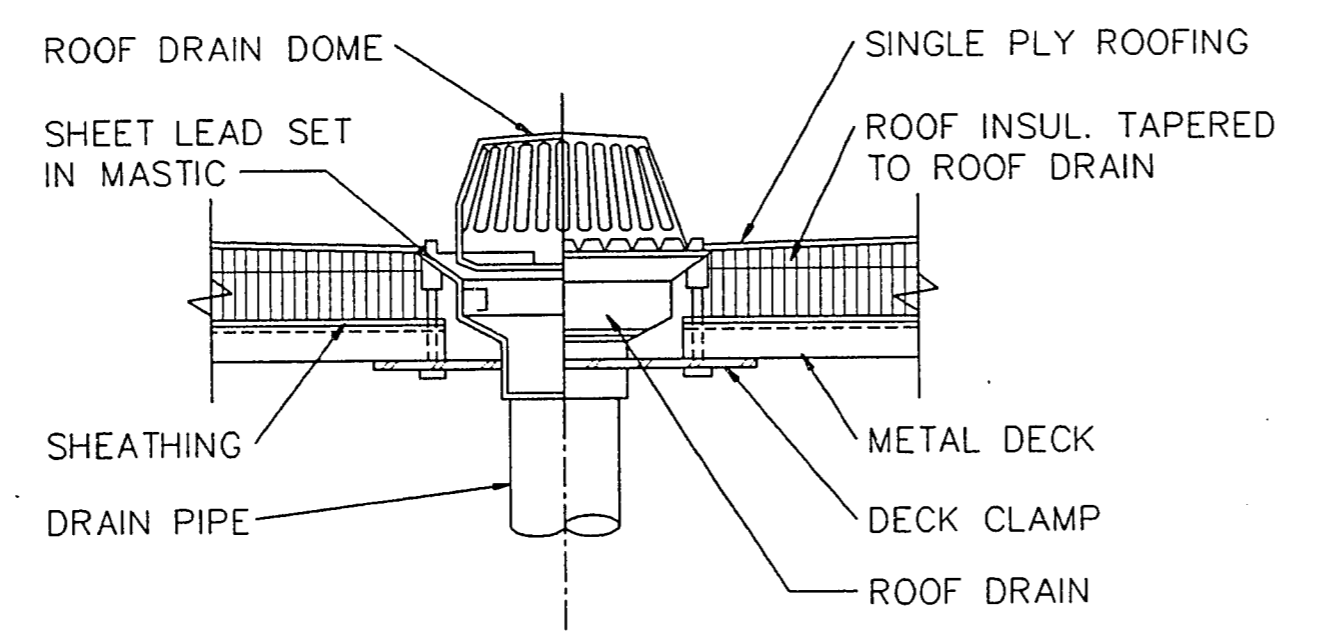


- A. EXHAUST FAN
- B. BACKDRAFT DAMPER (when scheduled)
- C. 1/2" wire mesh screen
- D. flashing
- E. roofing
- F. roof insulation
- G. treated wood blocking
- H. when ducted, secure to roof construction, caulk all around
- I. roof structure
- J. roof curb insulation
- K. prefabricated roof curb (see detail)
- L. rubber pad

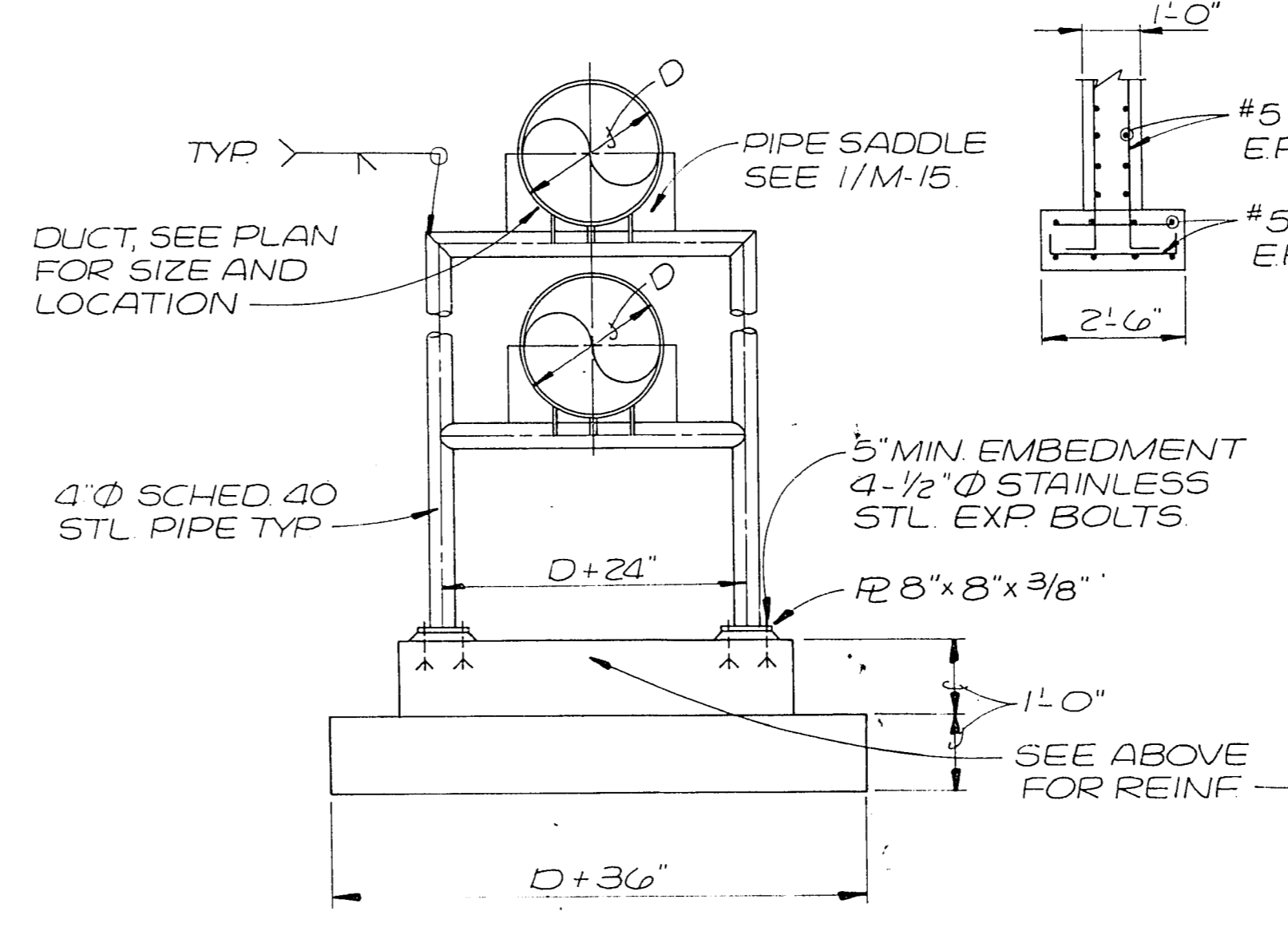
INTAKE/RELIEF HOOD MOUNTING DETAIL



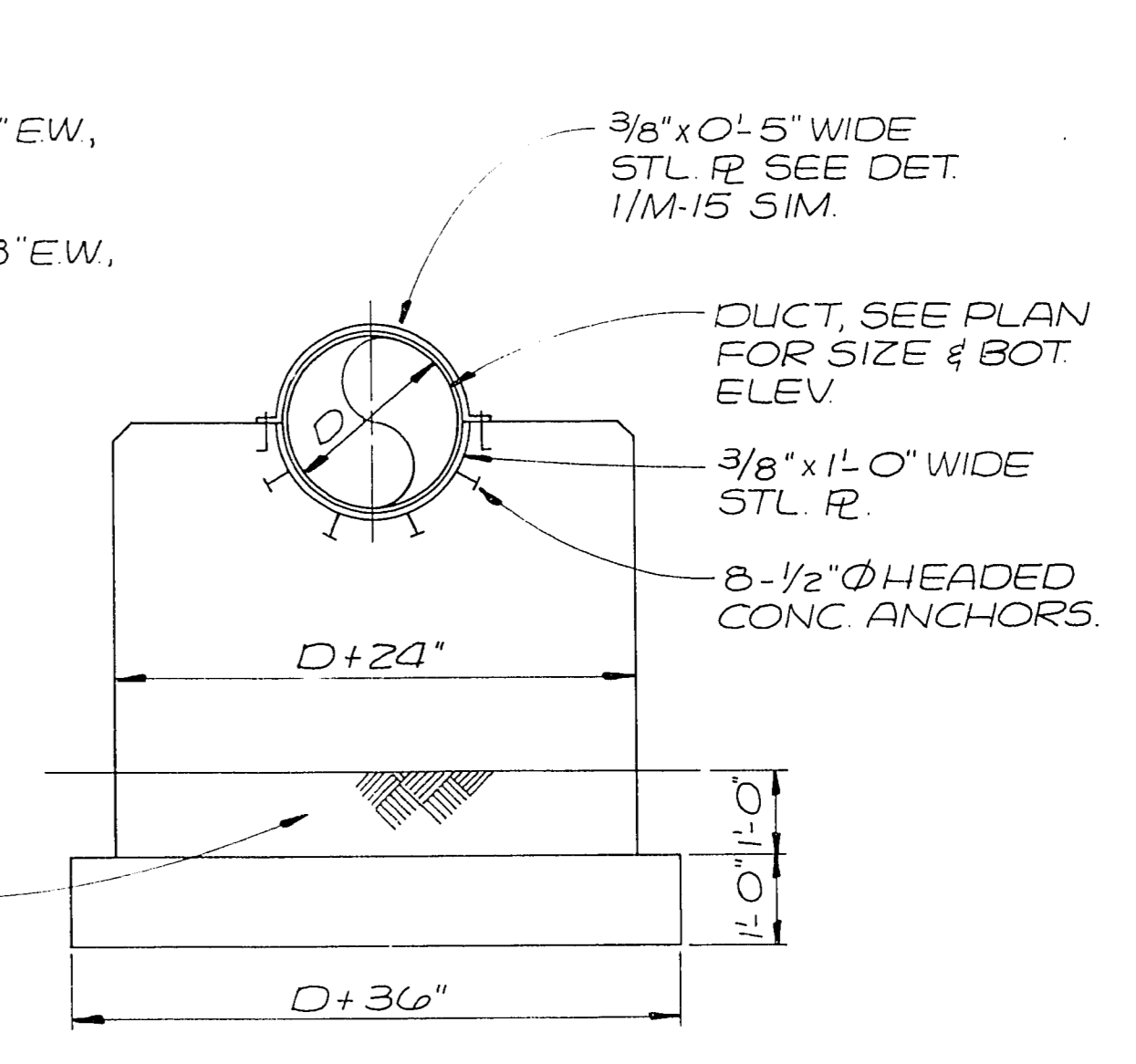
GAS APPLIANCE VENT DETAIL



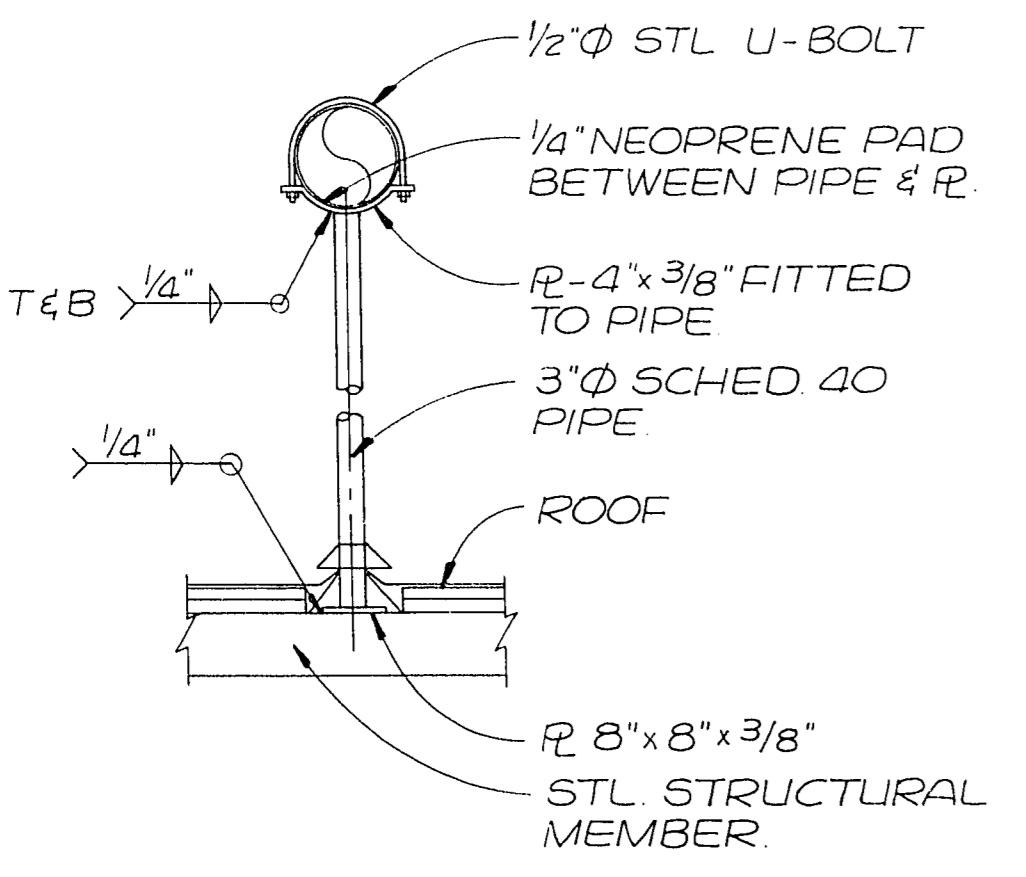
ROOF DRAIN DETAIL



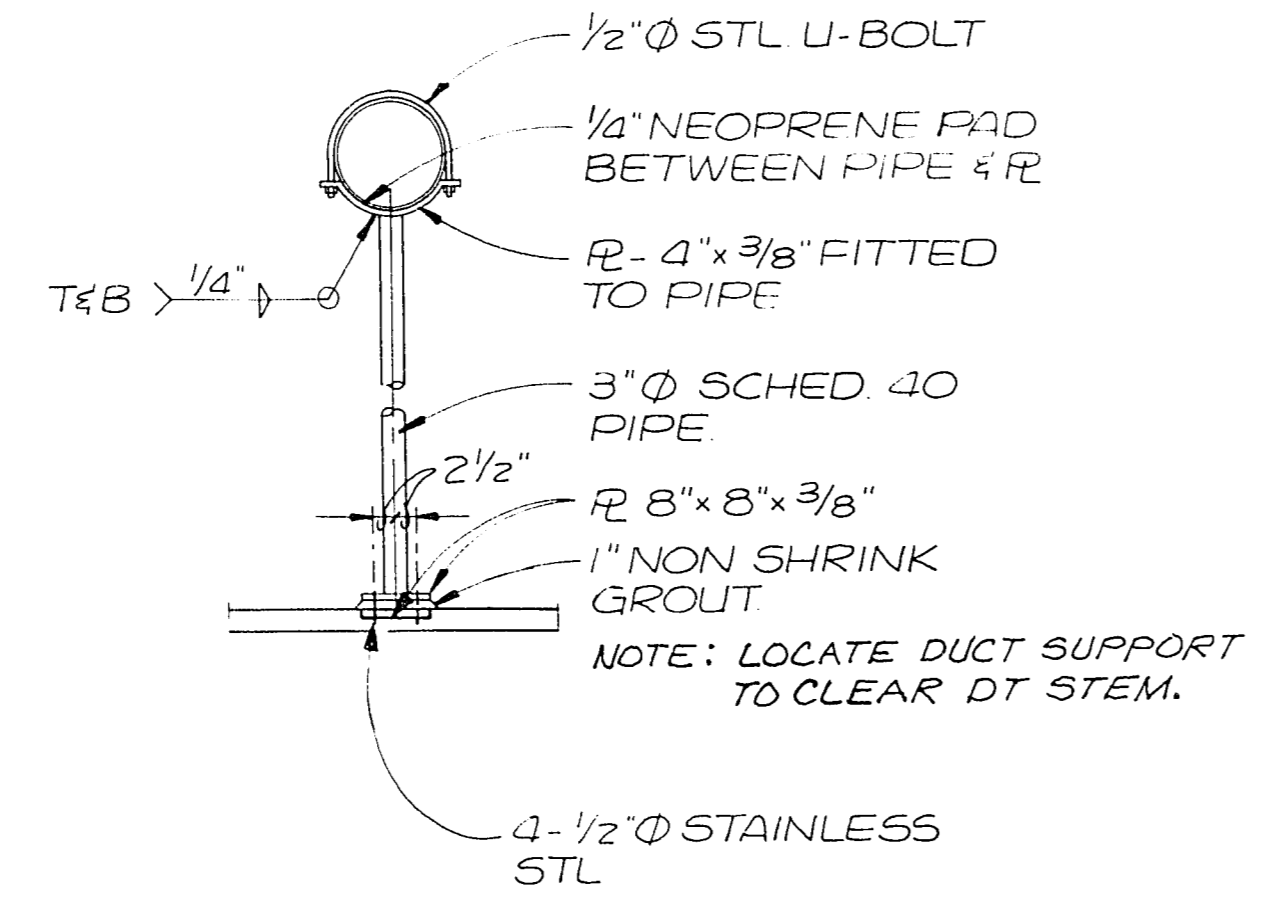
DUCT SUPPORT TYPE (A)



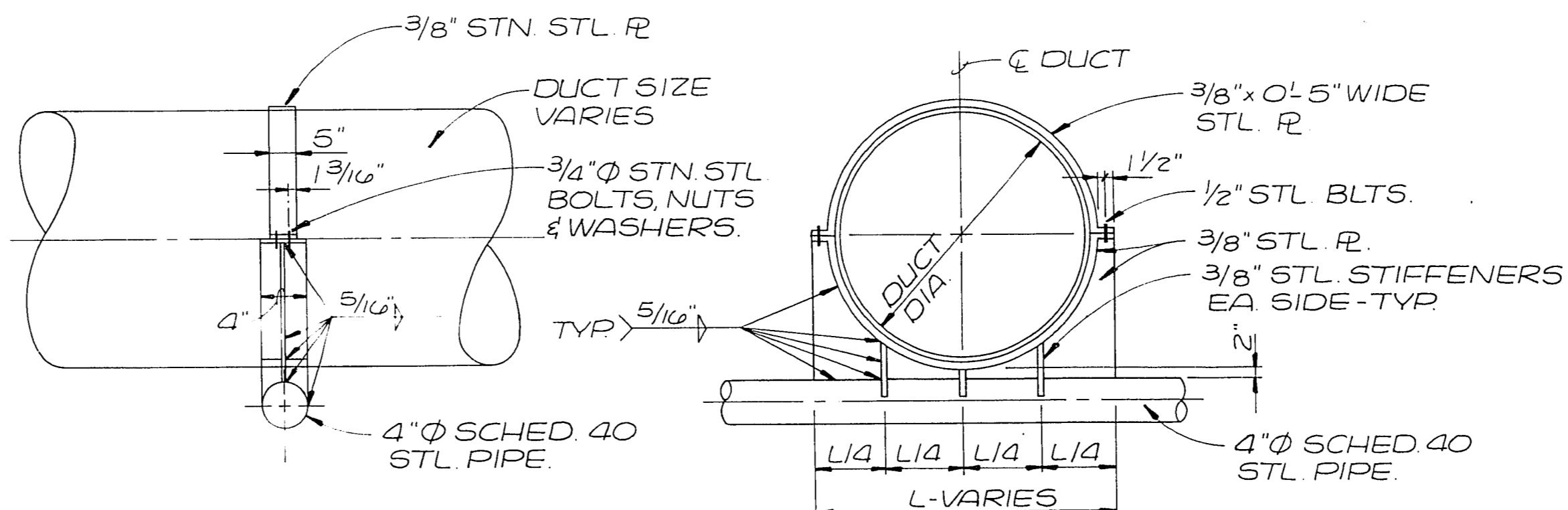
DUCT SUPPORT TYPE (B)



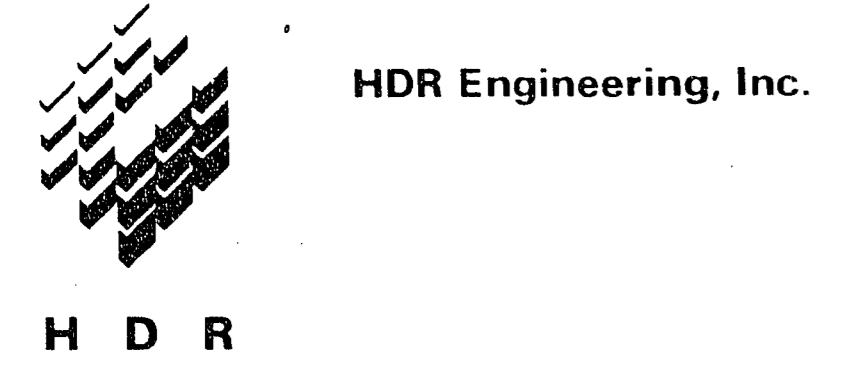
DUCT SUPPORT TYPE (C)



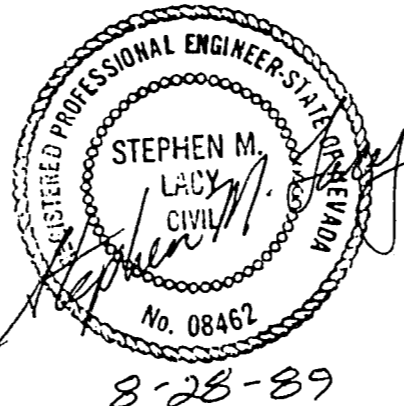
DUCT SUPPORT TYPE (D)



DETAIL (1)



1	CORRECTED ACCORDING TO CONSTRUCTION RECORDS	4-92	DJD	GAN	GAN	SML
Issue No.	Description	Date	Drawn	Chkd.	Resp. Engr.	Proj. Mgr.



Project Manager	STEVE M. LACY	8-28-89
Architect	M.J. SHANAHAN	
Civil	A.J. PETERSON	
Electrical	F.E. MAYCOCK	
I&C Process	D.F. PENNER	
Mechanical	G.A. NELSON	
Structural	R.E. KUMM	

Sludge Dewatering Facilities

MECHANICAL DETAILS

Scale	AS NOTED	Project No.	00120-028-041	Drawing No.	M-15	Issue	1
1989							

5-1-73 311.18