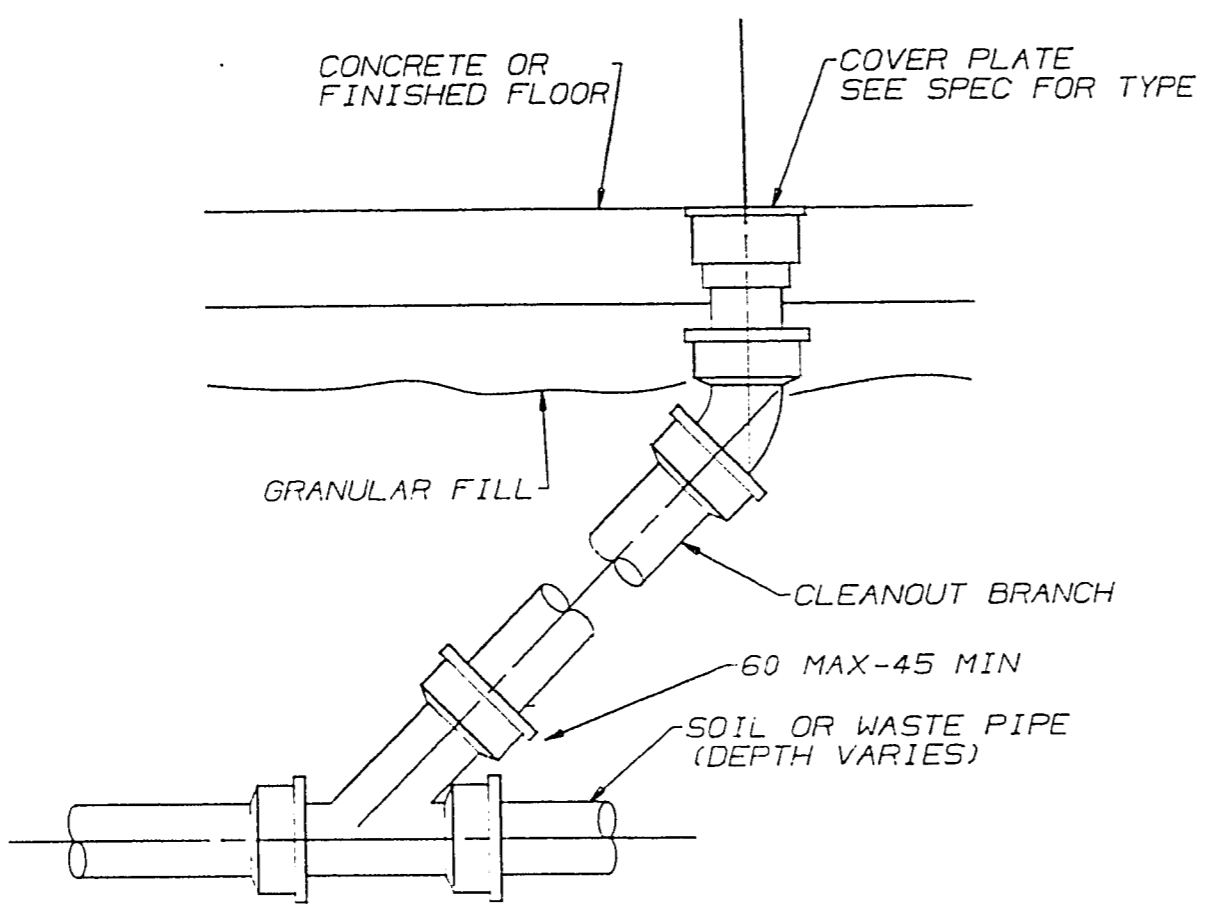
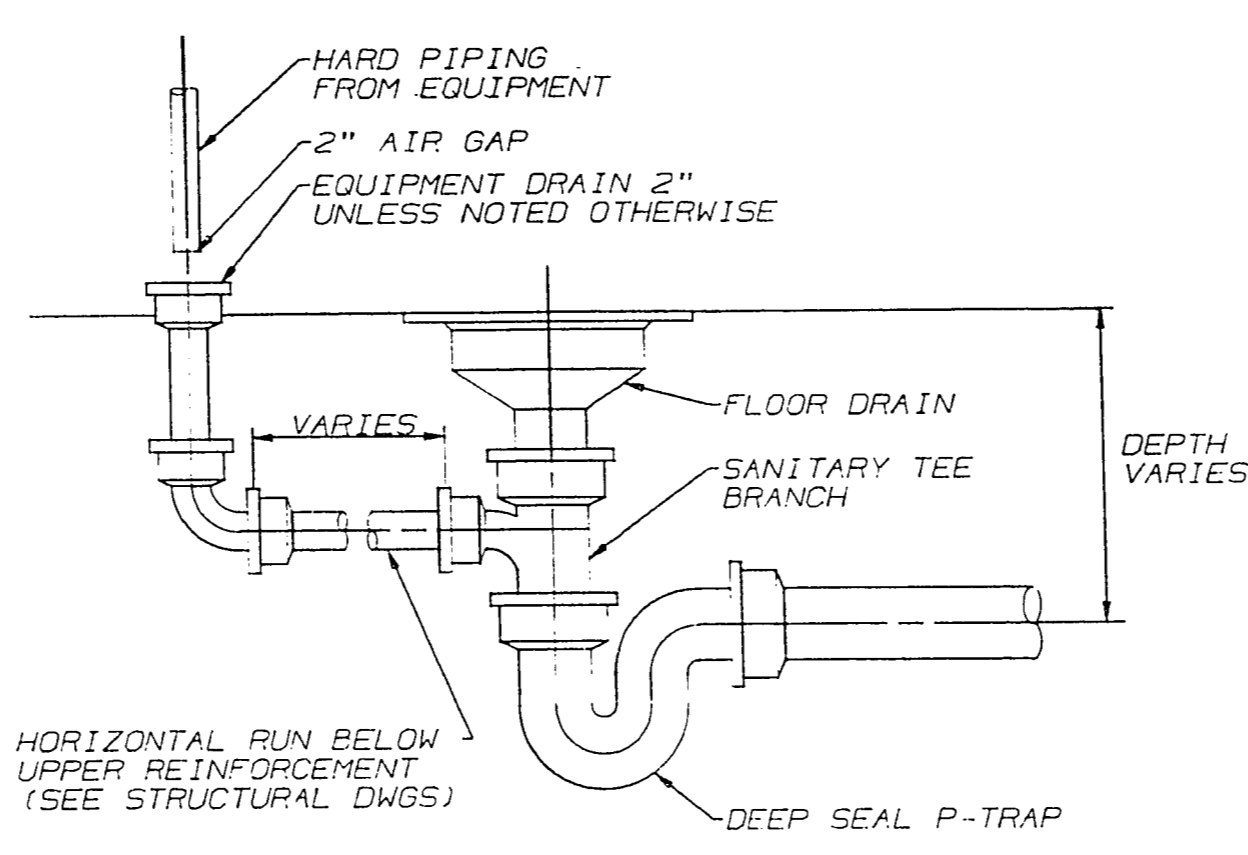


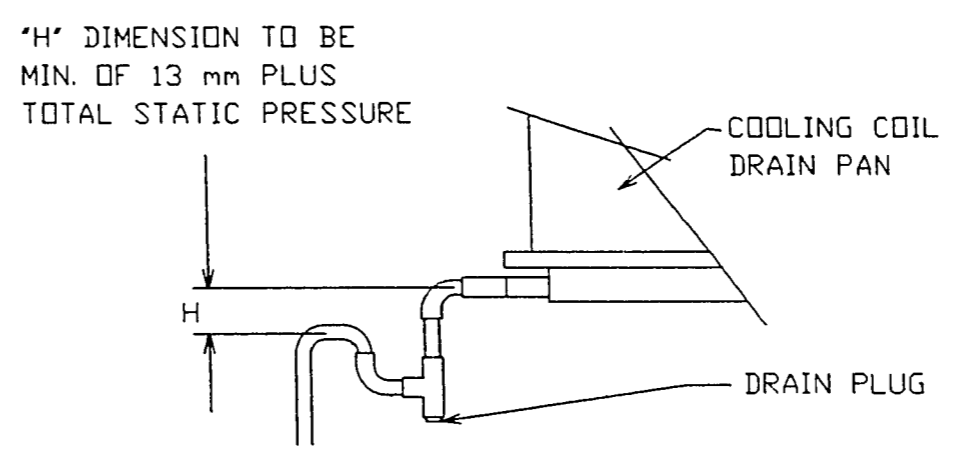
CLEAN OUT AT BASE OF STACK DETAIL



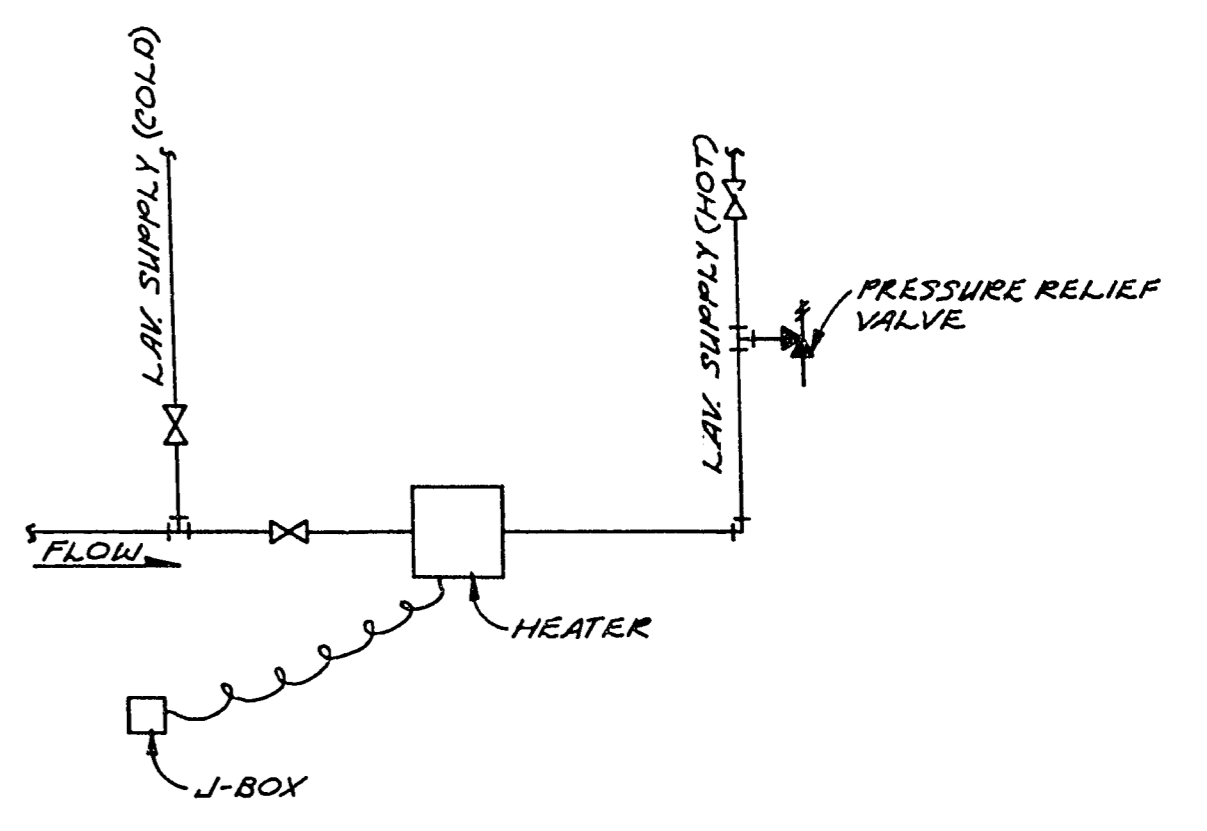
CLEAN OUT THRU FLOOR DETAIL



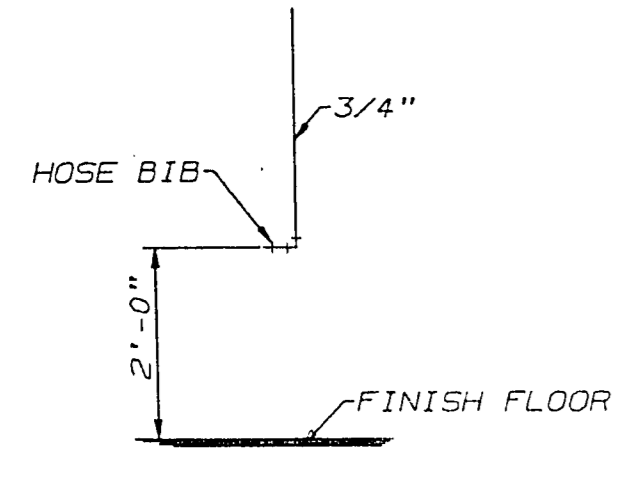
NON-TRAPPED EQUIPMENT DRAIN (ED-1) TO FLOOR DRAIN DETAIL



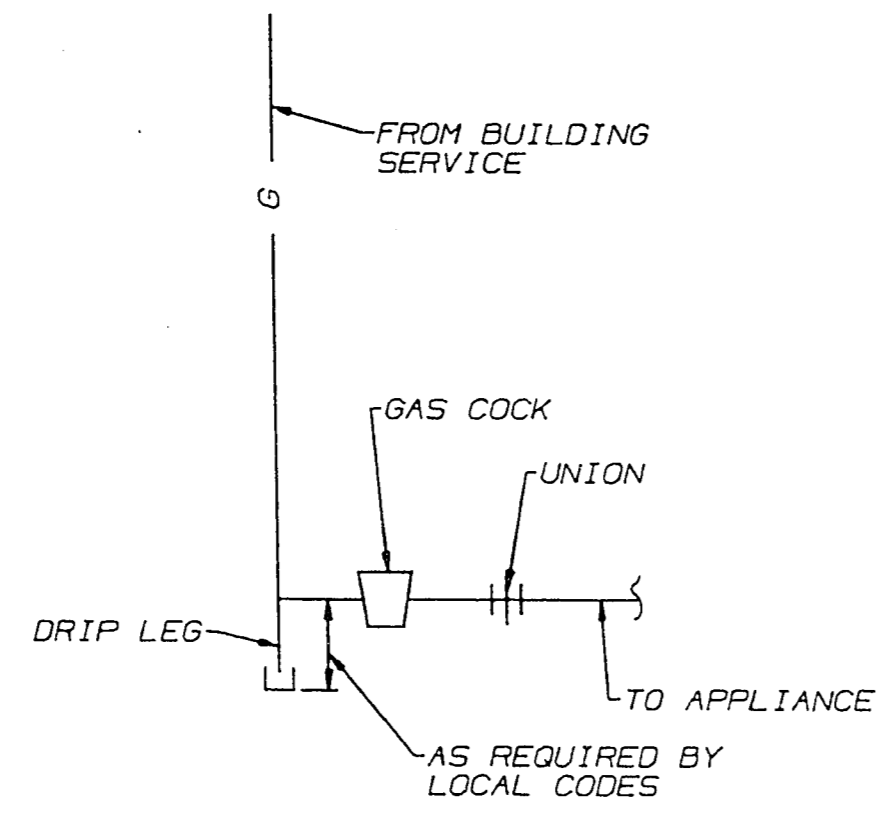
COOLING COIL DRAIN TRAP DETAIL



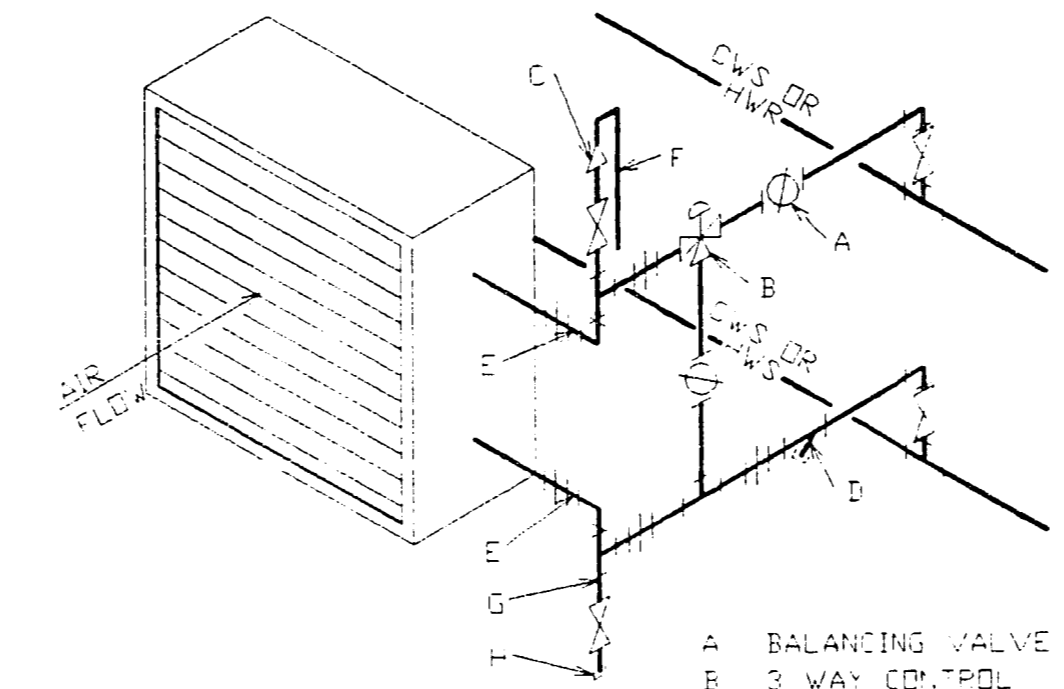
UNDER LAV WATER HEATER DETAIL



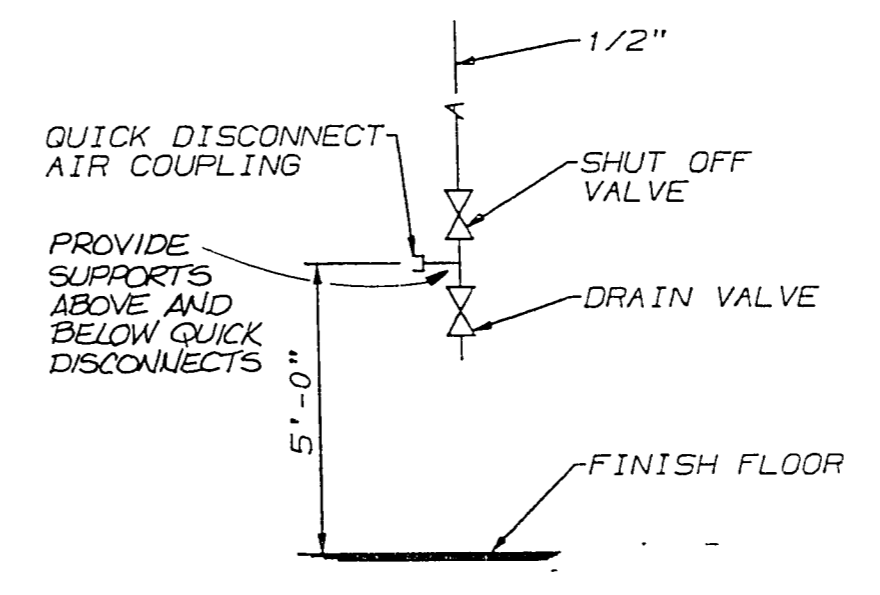
HOSE BIB DETAIL



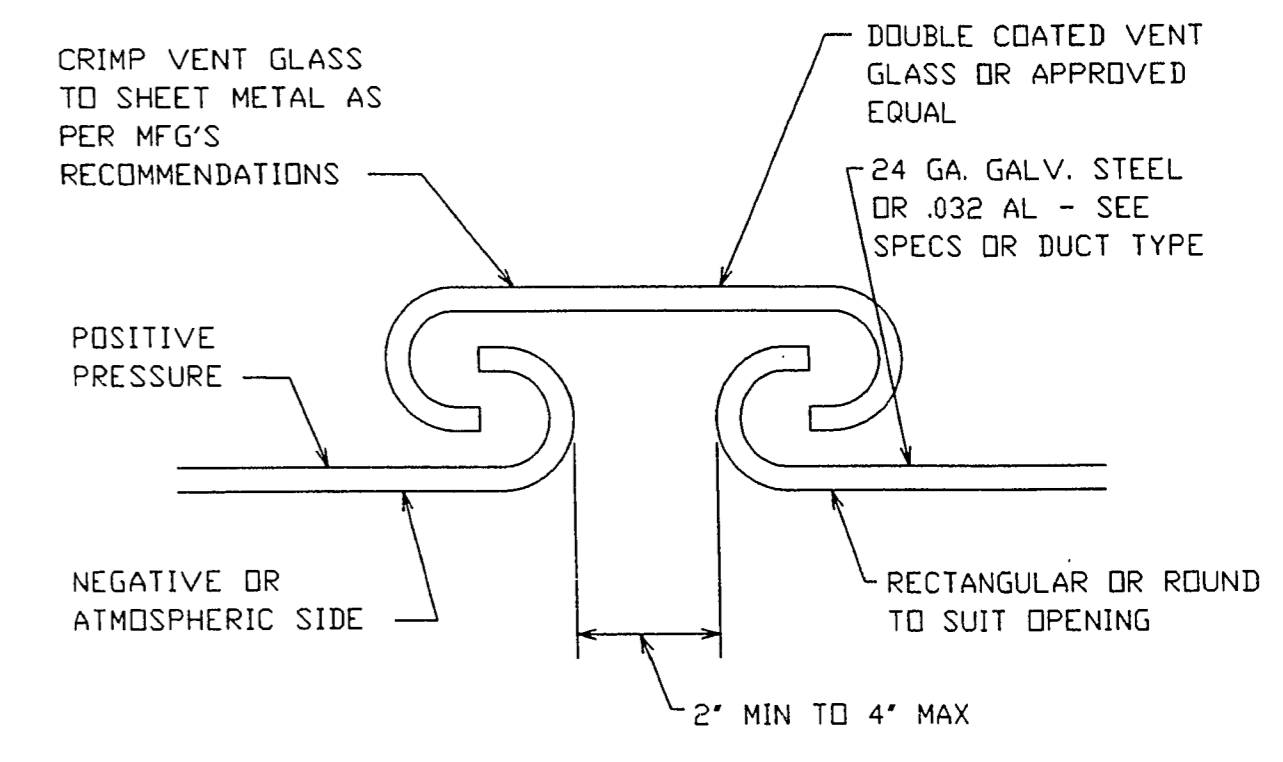
GAS APPLIANCE CONNECTION DETAIL



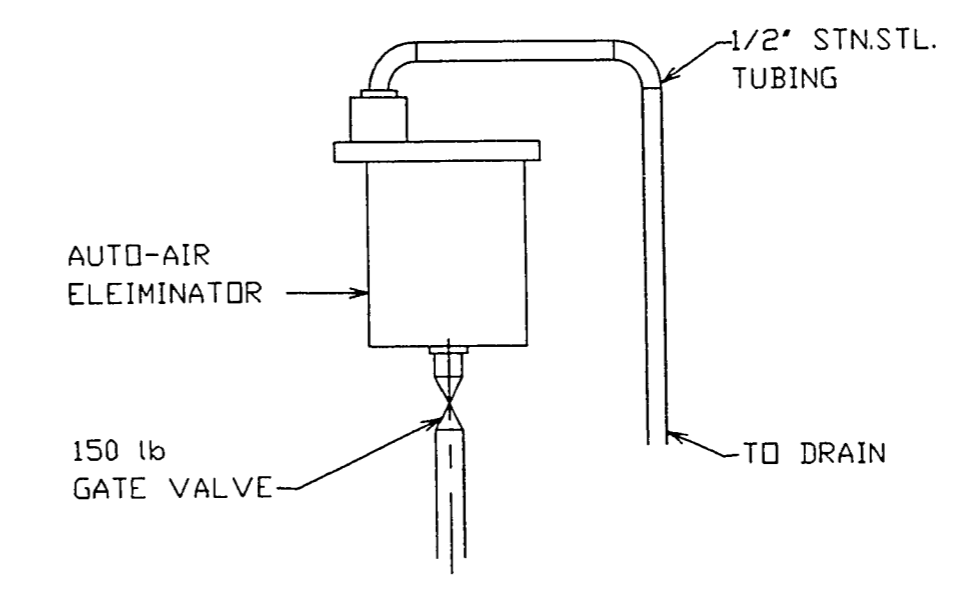
COIL PIPING DETAIL



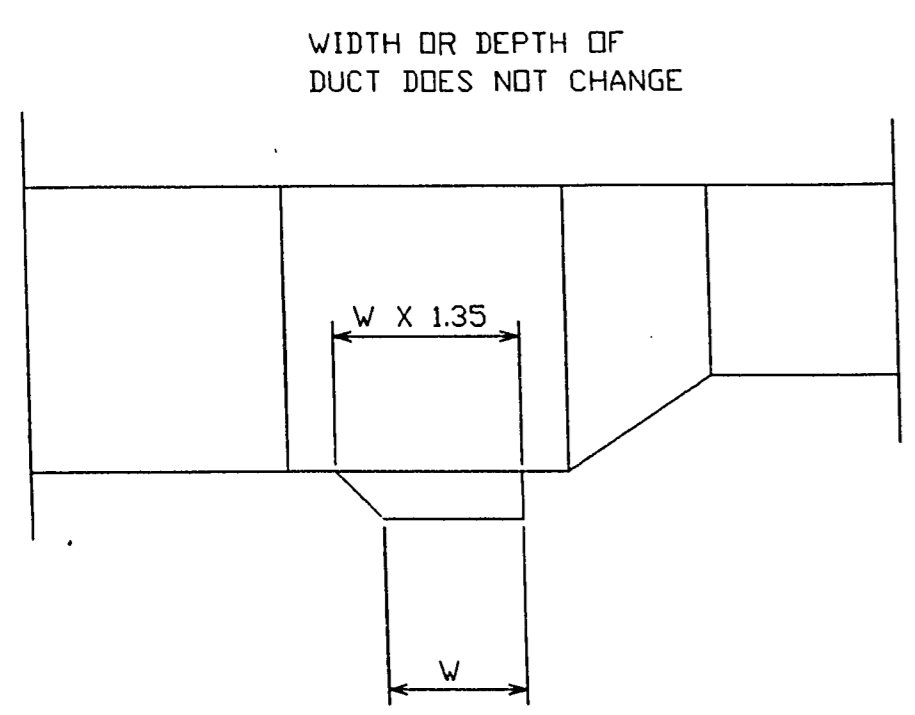
AIR CONNECT DETAIL



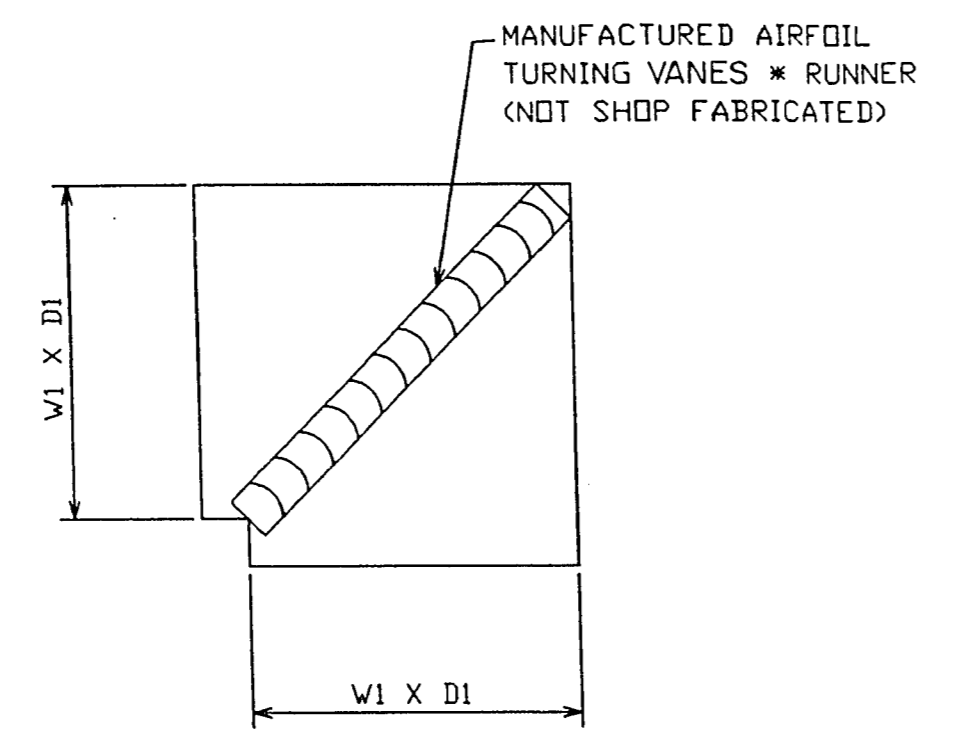
FLEXIBLE CONNECTION DETAIL



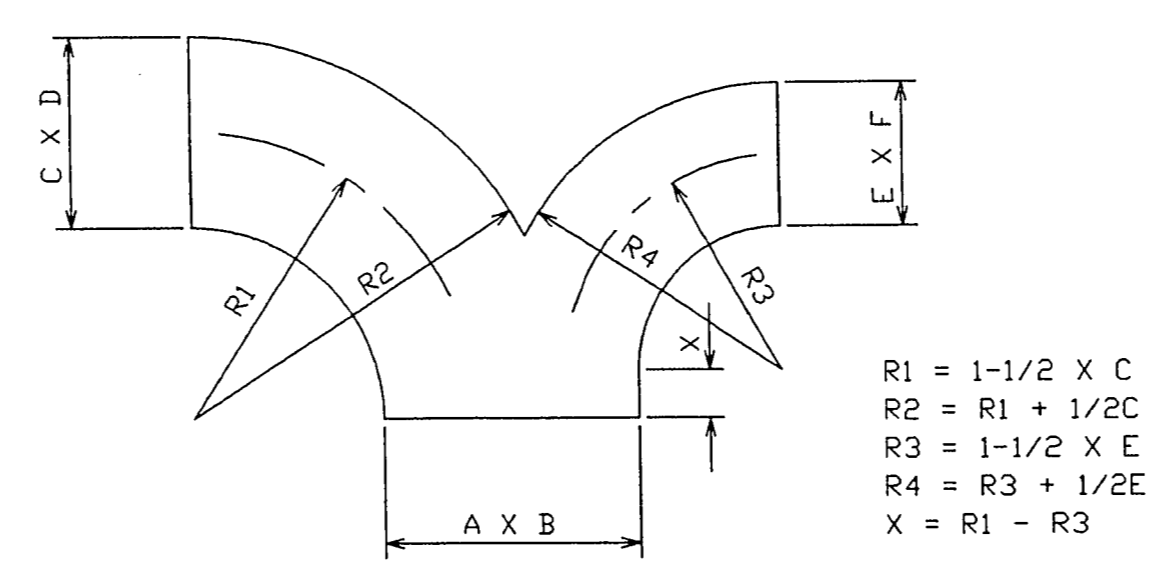
AIR ELEMIMINATOR DETAIL



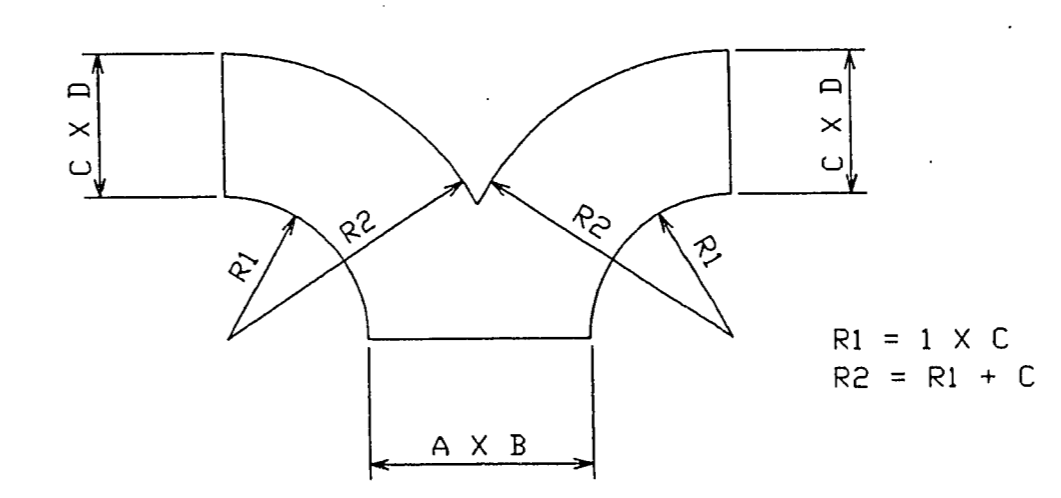
STRAIGHT DUCT BRANCH FITTING



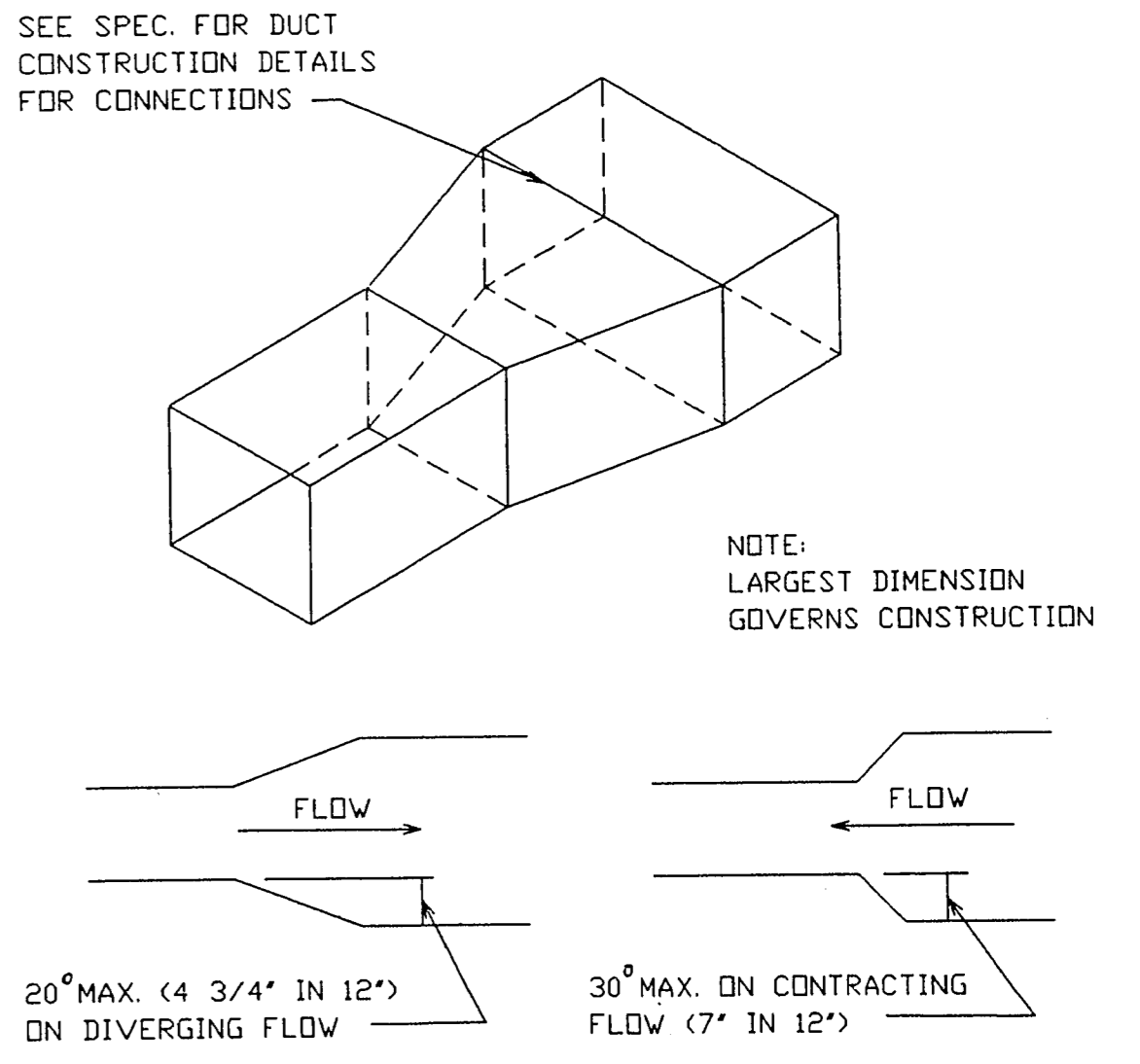
SQUARE THROAT 90 ELBOW WHEN DUCT SIZE EQUAL



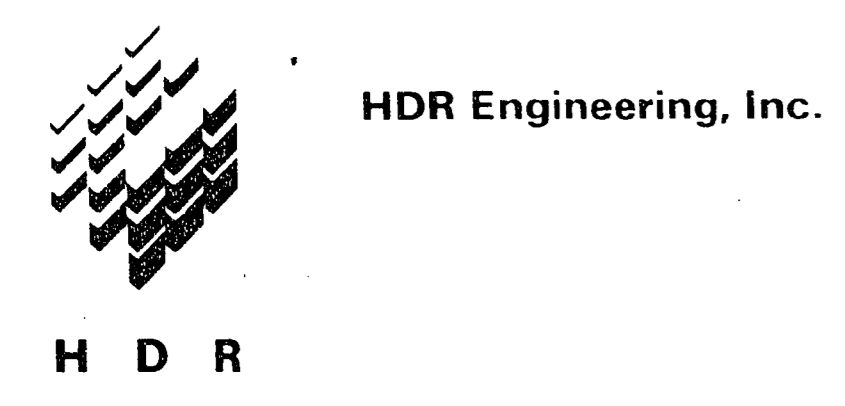
RADIUS 90 TEE FITTING



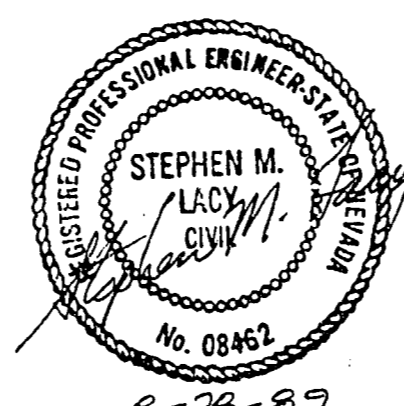
RADIUS 90 TEE FITTING



TRANSITION DETAIL



1 CORRECTED ACCORDING TO CONSTRUCTION RECORDS
 4-92 DJD GAN GAN SML
 Date Drawn Chkd. Resp. Engr. Proj. Mgr.



Project Manager: STEVE M. LACY 8-28-89
 Architect: M.J. SHANAHAN
 Civil: A.J. PETERSON
 Electrical: F.E. MAYCOCK
 I&C Process: D.F. PENNER
 Mechanical: G.A. NELSON
 Structural: R.E. KUMM

Sludge Dewatering Facilities

MECHANICAL DETAILS

Scale	NONE	Project No.	00120-028-041	Drawing No.	M-14	Issue	1
-------	------	-------------	---------------	-------------	------	-------	---

460669
 5-1-17 3/1/18