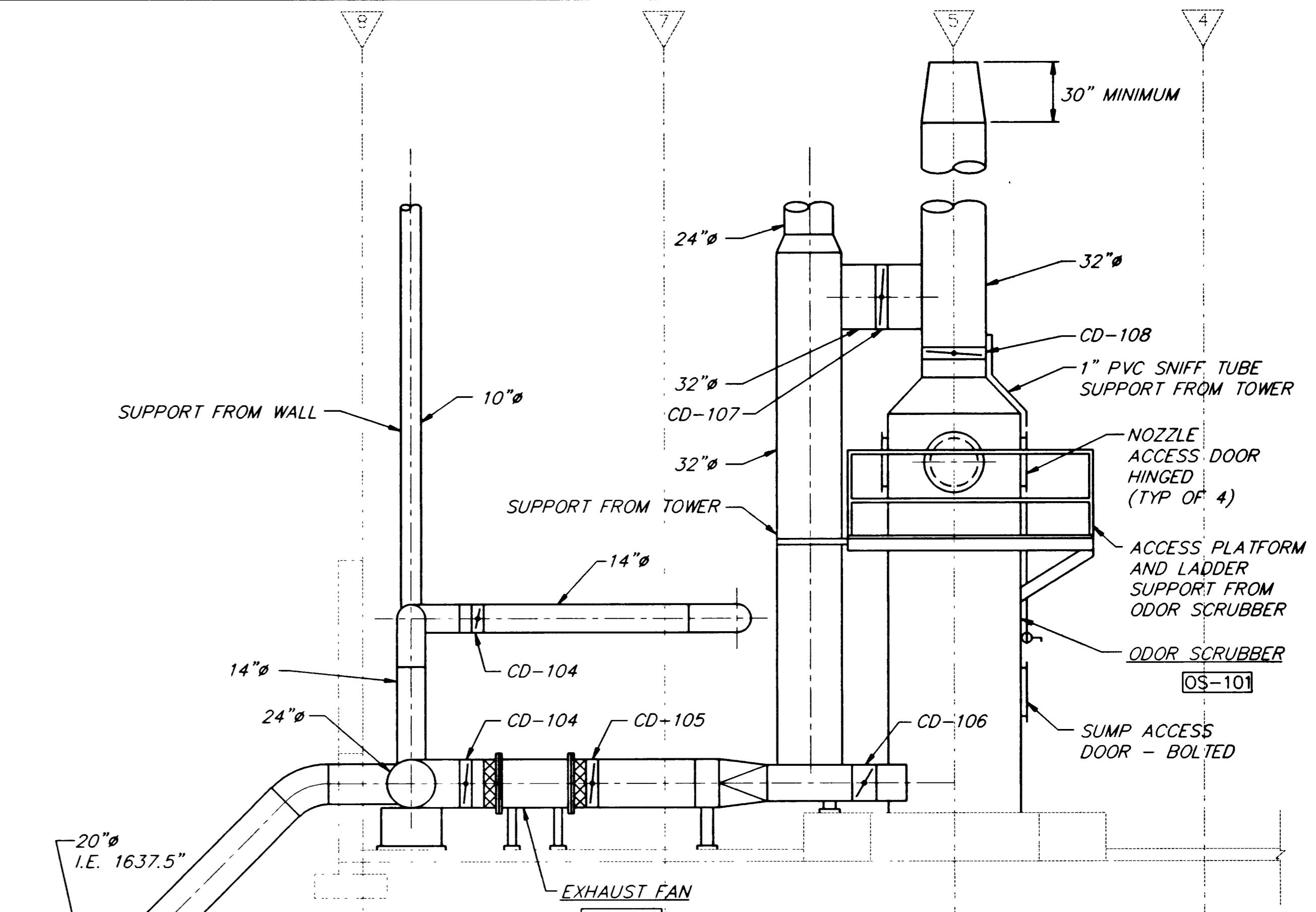
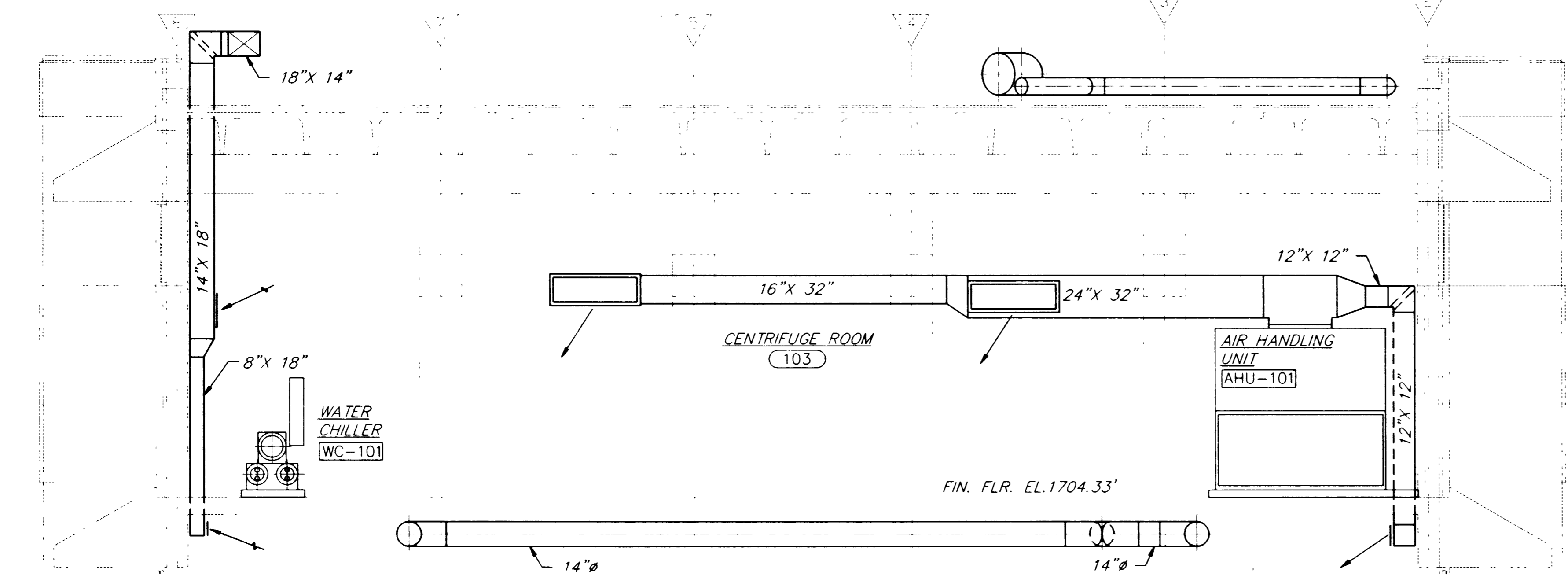


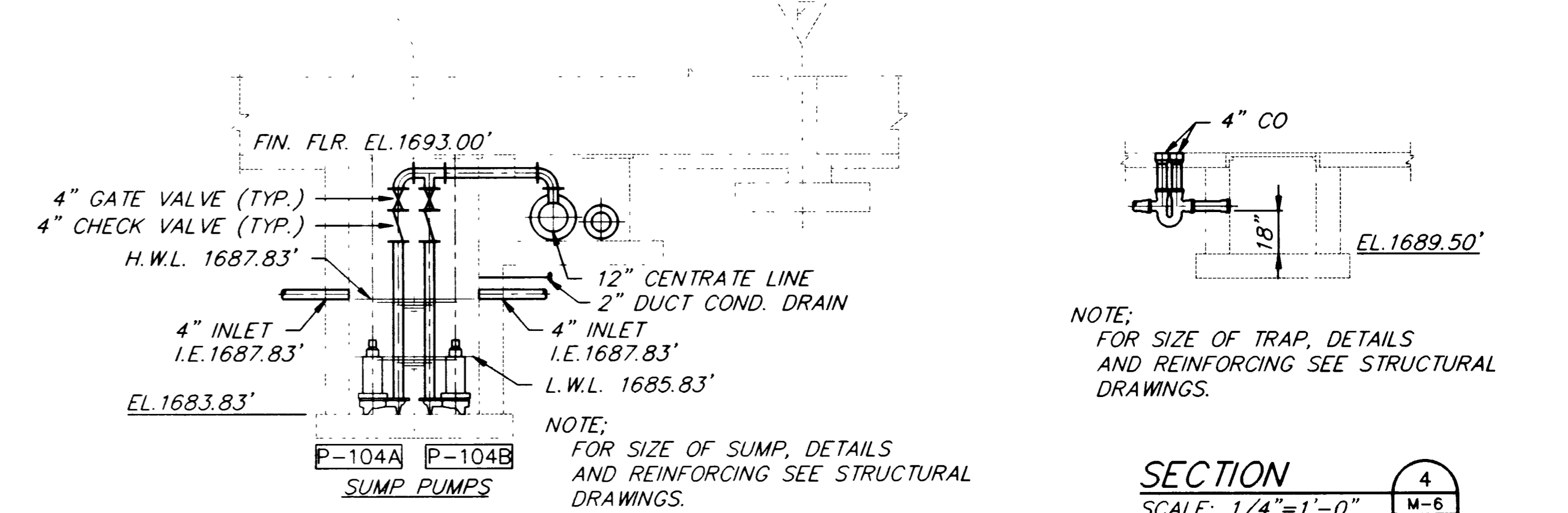
SECTION 1
SCALE: 1/4"=1'-0"
M-6
M-2



SECTION 3
SCALE: 1/4"=1'-0"
M-6
M-1

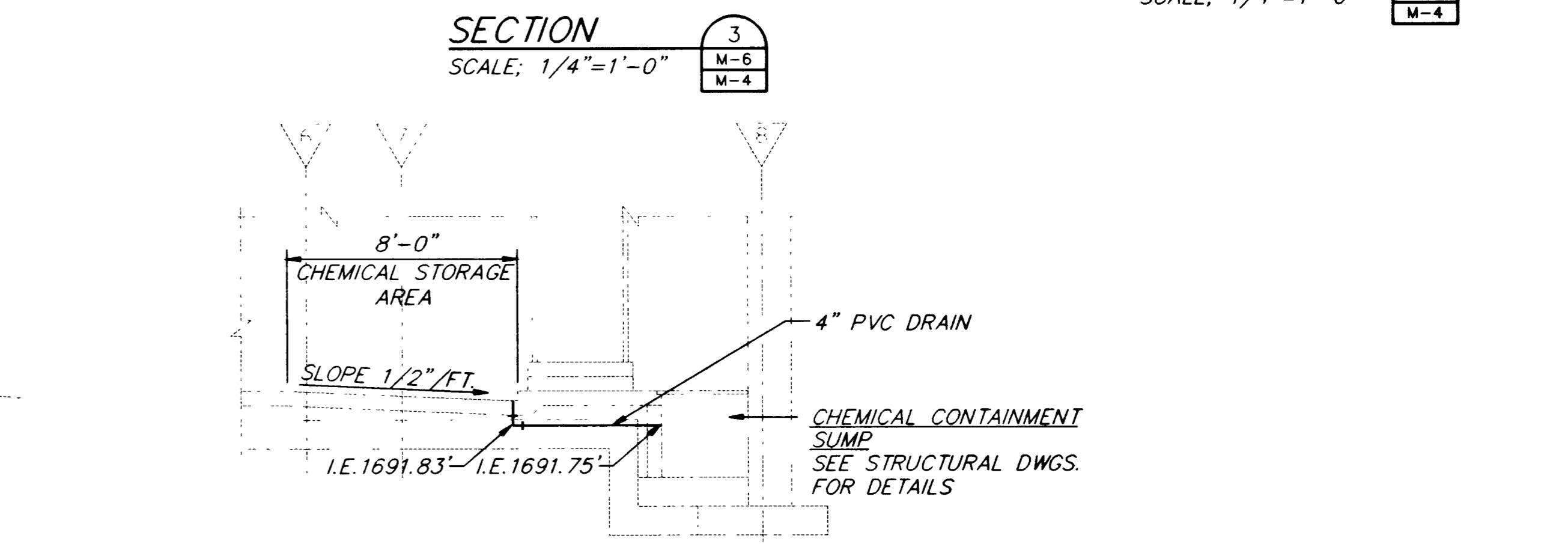


SECTION 2
SCALE: 1/4"=1'-0"
M-6
M-1



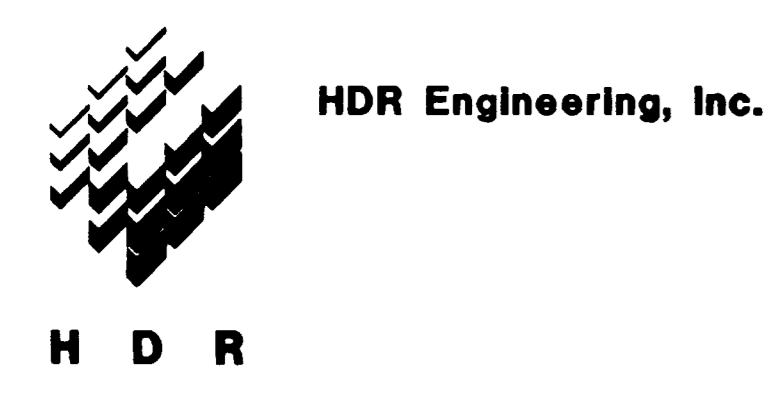
NOTE:
FOR SIZE OF TRAP, DETAILS
AND REINFORCING SEE STRUCTURAL
DRAWINGS.

SECTION 4
SCALE: 1/4"=1'-0"
M-6
M-4

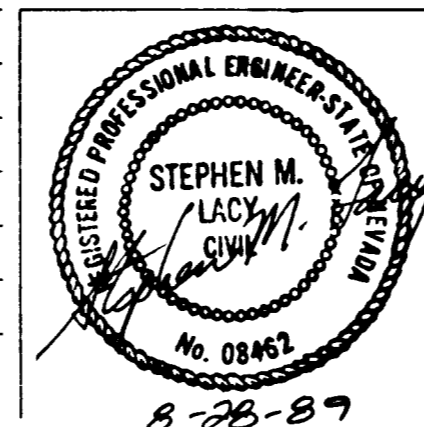


NOTE:
FOR SIZE OF SUMP, DETAILS
AND REINFORCING SEE STRUCTURAL
DRAWINGS.

SECTION 5
SCALE: 1/4"=1'-0"
M-6
M-4



Issue No.	Description	Date	Drawn	Checked	Rep. Eng.	Proj. Mgr.
1	CORRECTED ACCORDING TO CONSTRUCTION RECORDS	4-92				
A	CONTRACT BID DOCUMENTS	8-28	DJD	GAN	SML	



Project Manager	STEVE M. LACY	8-28-89
Architect	M.J. SHANAHAN	MECHANICAL
MECHANICAL	D.A. KOTTWITZ	
Structural	A.J. PETERSON	
Structural	G.A. NELSON	
Electrical	F.E. MAYCOCK	
Structural	R.E. KUMM	

Sludge Dewatering Facilities

SLUDGE DEWATERING BUILDING SECTIONS

Las Vegas, Nevada

1989

Scale: AS NOTED

Project No. 00120-028-041

Drawing No. M-6

Issue No. 1

134

5-1-89

311.18

