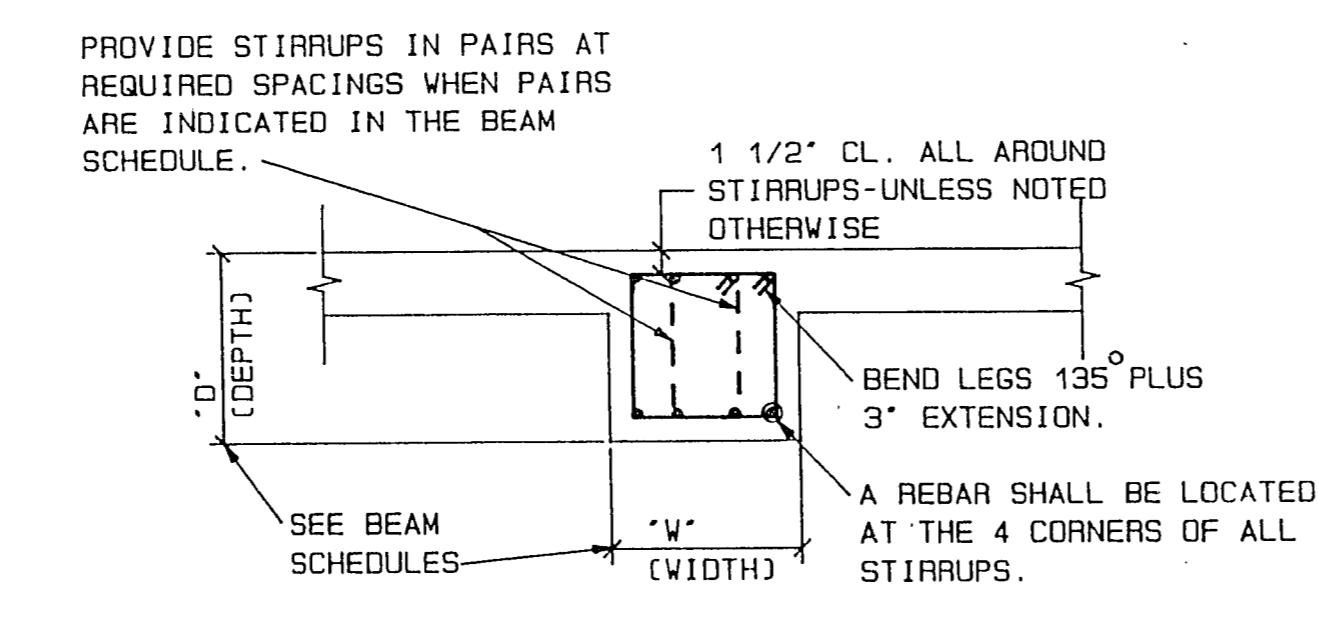


TYPICAL COLUMN DETAILS (1)
UNLESS NOTED OTHERWISE) NO SCALE

DETAIL (2) EXTRA TIE SETS AT COL. VERT. REBAR BENDS
NO SCALE

TYPICAL BEAM REINFORCING DETAIL (3)
NO SCALE



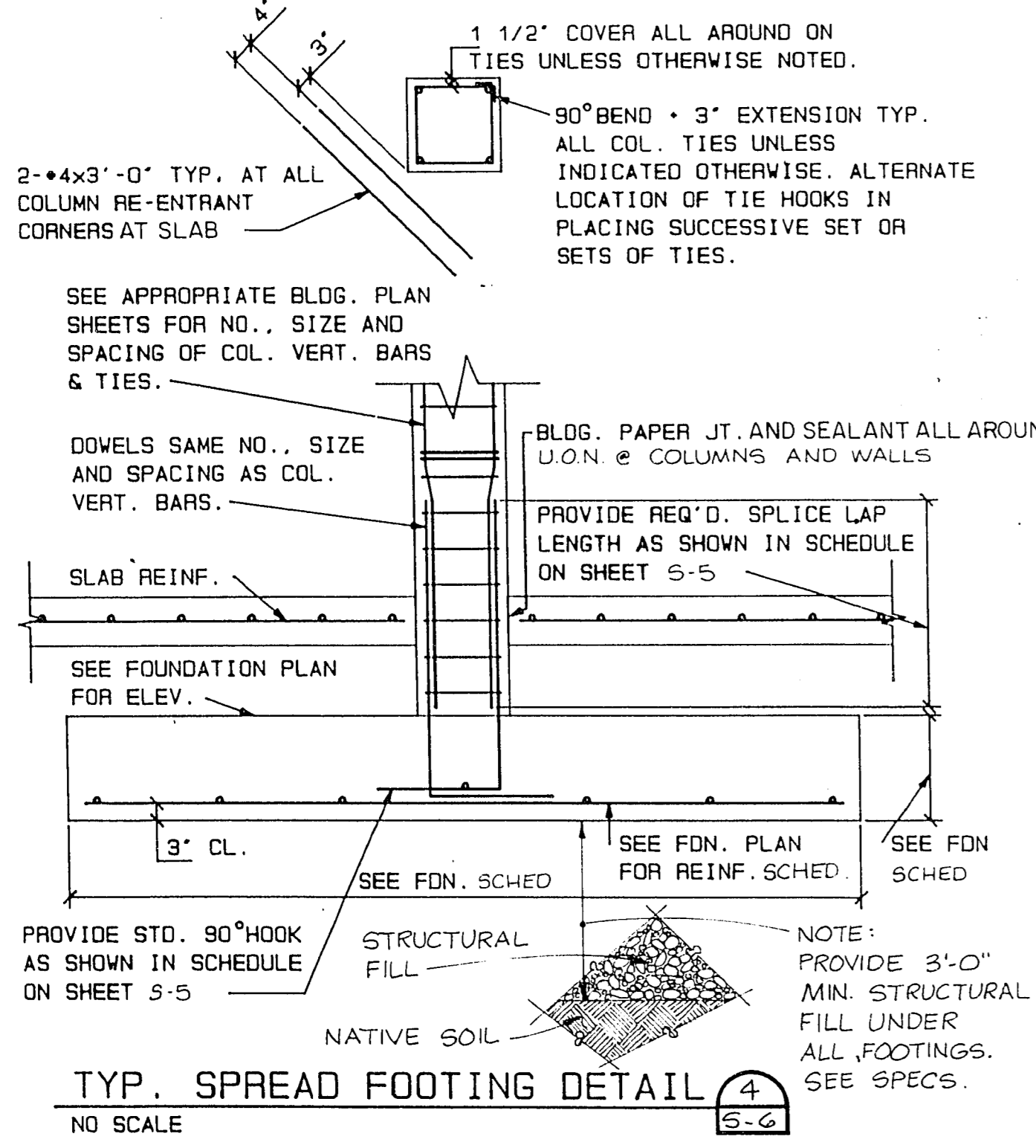
- NOTES FOR BEAM REINFORCING DETAILS:**
- BEAM SCHEDULE INTERIOR TOP BARS ARE THOSE LOCATED AT SUPPORTS WHERE BEAMS ARE CONTINUOUS ACROSS THE SUPPORT.
 - ALL TOP AND BOTTOM BARS SHALL BE PLACED IN ONE LAYER UNLESS TWO LAYERS ARE NOTED IN SCHEDULES. WHERE TWO LAYERS ARE NOTED, PROVIDE 1" CLEAR BETWEEN LAYERS.
 - IN ADDITION TO SCHEDULED STIRRUPS, PROVIDE MIN. OF #3 STIRRUPS AT 36" O.C. TO SUPPORT TOP BARS IF STIRRUPS ARE NOT REQUIRED FOR COMPLETE BEAM LENGTH.
 - STIRRUP SPACINGS INDICATED IN THE SCHEDULES START AT FACE OF SUPPORT. IN ADDITION TO ALL SCHEDULED STIRRUPS, PROVIDE 1 ADDITIONAL STIRRUP AT 1/2 THE FIRST SCHEDULED SPACING AT EACH FACE OF EACH SUPPORT.
 - WHERE A BEAM IS SUPPORTED BY COLUMN, BUT HAS ANOTHER BEAM RUNNING PERPENDICULAR TO IT AT THE SAME COLUMN, THE FIRST STIRRUP SPACING SHALL START FROM THE FACE OF THE COLUMN, NOT FROM THE FACE OF THE TRANSVERSE BEAM.
 - "LENGTH" OF EXTERIOR TOP BARS GIVEN ONLY WHEN CANTILEVER SITUATION OCCURS, OTHERWISE HOOK BARS ARE REQ'D.
 - PROVIDE A 90° STANDARD HOOK AS SHOWN IN SCHEDULE ON SHEET S-5, WHERE A 90° STANDARD HOOK IS CALLED FOR, INDICATED OR REQUIRED.
 - WHERE STIRRUPS FOR A BEAM ARE INDICATED TO BE PROVIDED IN PAIRS, PROVIDE STIRRUPS IN PAIRS ALSO IN ADJACENT CANTILEVER BEAMS AND FOR THE STIRRUP REQUIRED AT THE 1/2 SCHEDULED SPACING AT FACE OF SUPPORTS.
 - WHERE BEAMS INTERSECT, PLACE REBAR IN N-S BEAMS AT CLEAR DIMENSIONS NOTED, AND PLACE REBAR IN E-W BEAMS WITH ADDITIONAL CLEARANCE AS REQUIRED TO CLEAR REINFORCING IN N-S BEAMS.

MARK	SIZE		BOTTOM BARS		INTERIOR TOP BARS		EXTERIOR TOP BARS		STIRRUPS		TO CONCENL.	REMARKS				
	W	D	NO.	SIZE	LENGTH	NO.	SIZE	LENGTH	L1	NO.			SIZE	SPACING		
B1	12	40	2	5	30'-0"	2	5	20'-0"	10'-0"	2	5	7'-0"	3	@12" O.C. THRUOUT	1704'4"	2-#4 CONT. HORIZ. EA SIDE SEE B/S-11
B2			2	5	SEE B1	2	5	15'-0"	7'-6"							
B3			2	5	30'-0"	2	5	20'-0"	10'-0"							
B4			2	5	SEE B3					2	5	7'-0"				
B5	12	40	2	5	12'-6"					2	5	15'-6"	3	@12" O.C. THRUOUT	1704'4"	2-#4 CONT. HORIZ. EA SIDE
B6	24	16	3	7	24'-6"	3	7	10'-0"	5'-0"	2	7	29'-4"	3	5@6" LE 10@6" RE	1704'4"	
B7			3	7	SEE B6	2	7	SEE B6	4'-8"					4@6" EE		
B8			4	6	10'-4"	2	7	SEE B10	10'-0"	5'-8"				8@6" EE		#2-#7 TOP BARS SEE B15 @ ROW G&J
B9			3	7	24'-6"	2	7	SEE B10	10'-0"	5'-0"				4@6" EE		
B10			3	7	SEE B9									10@6" LE 5@6" RE		
B11	28	26	4	6	13'-0"	4	7	22'-4"	CTR'D				4	@11" O.C. THRUOUT	1704'4"	
B12	24	24	4	6	13'-2"	2	7	10'-0"	5'-0"	2	7	29'-4"	3	4@10" LE 6@10" RE	1704'4"	
B13	28	26	4	6	12'-8"	2	7	SEE B12	15'-0"	4'-8"			4	@11" O.C. THRUOUT		
B14	28	26	4	6	12'-8"	2	7	SEE B15	10'-0"	5'-0"			4	@11" O.C. THRUOUT		
B15	24	24	4	6	13'-2"					2	7	29'-4"	3	6@10" LE 4@10" RE		
B16	22	26	3	6	8'-0"	3	6	14'-0"	CTR'D				4	@11" O.C. THRUOUT	1704'4"	2-#4 CONT HORIZ 4'-0" ADDL @ A.B.

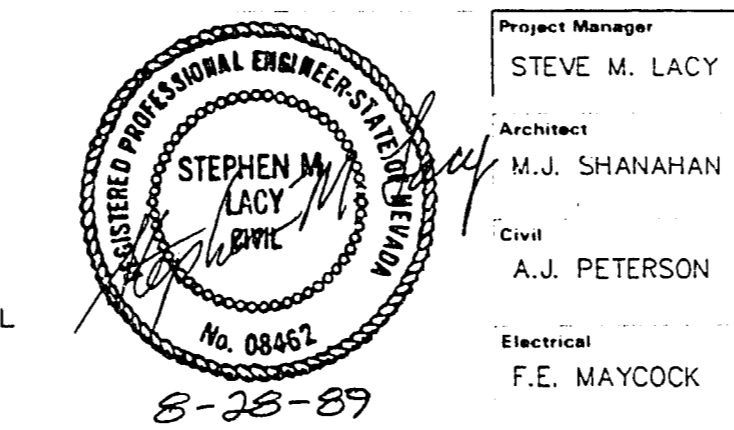
NOTE:
SEE TYPICAL BEAM REINFORCING DETAIL AND SECTION "A" THIS SHEET FOR EXPLANATION OF BEAM SCHEDULE NOTATIONS.

ABBREVIATIONS
*L.E.-LEFT END
*R.E.-RIGHT END
*E.E.-EACH END
*WHEN FRAMING PLAN IS VIEWED FROM BOTTOM OR RIGHT HAND SIDE OF SHEET.

SEE SHEET S-10 FOR CONTINUATION OF BEAM SCHEDULE.



HDR Engineering, Inc.



Project Manager
STEVE M. LACY 8-28-89

Architect
M.J. SHANAHAN

Civil
A.J. PETERSON

Electrical
F.E. MAYCOCK

I/C Process
D.F. PENNER

Mechanical
G.A. NELSON

Structural
R.E. KUMM

Las Vegas, Nevada

Sludge Dewatering Facilities

SLUDGE DEWATERING BUILDING DETAILS AND SCHEDULES

1	CORRECTED ACCORDING TO CONSTRUCTION RECORDS	4-92	DRF	REK	REK	SML
Issue No.	Description	Date	Drawn	Chkd	Revs	Proj Mgr

Scale	Project No.	Drawing No.	Issue
NO SCALE	00120-028-041	S-6	1

51-53 311.18