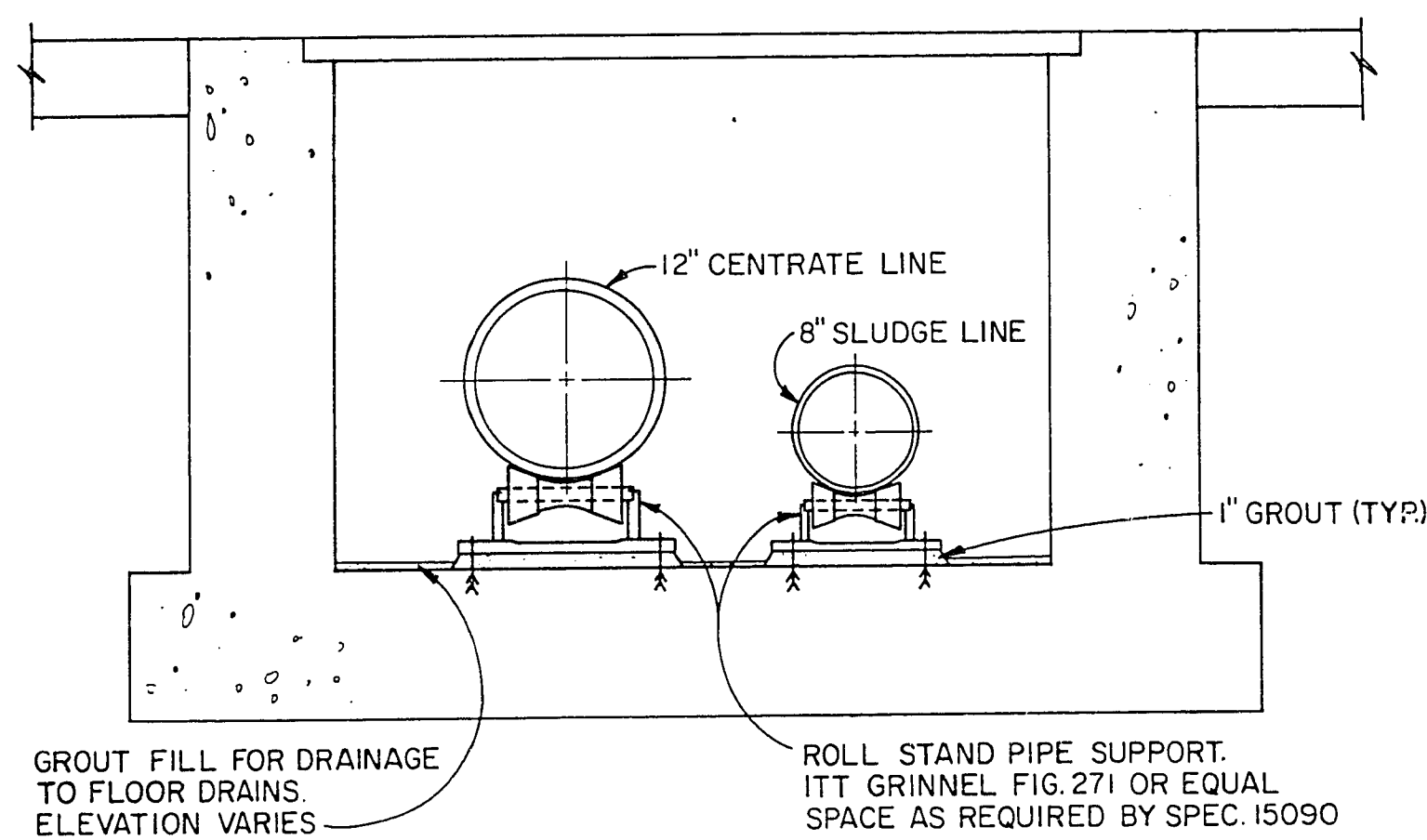
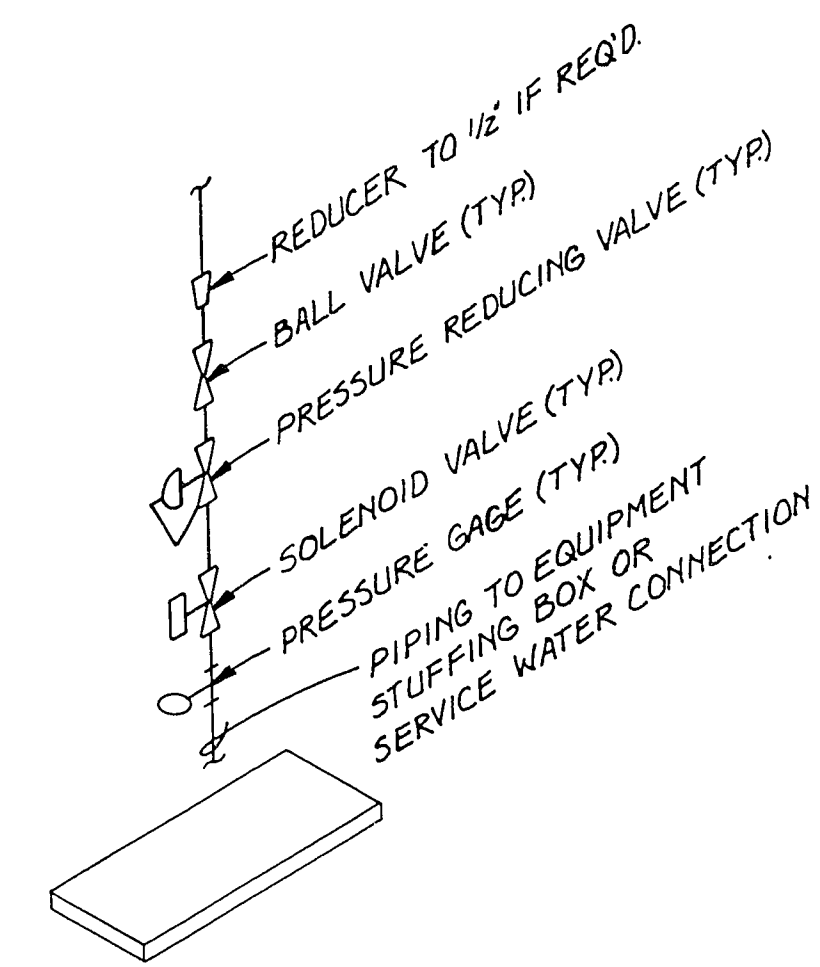


VALVE NO.	VALVE DESCRIPTION				REMARKS
	SERVICE	SIZE	TYPE	OPERATOR	
V-001	DIGESTED SLUDGE	8"	PLUG	EXT BONNET	
V-002	DIGESTED SLUDGE	8"	PLUG	EXT BONNET	
V-003	DIGESTED SLUDGE	8"	PLUG	EXT BONNET	
V-100	DIGESTED SLUDGE	8"	PLUG	HANDWHEEL	
V-101	DIGESTED SLUDGE	8"	PLUG	HANDWHEEL	
V-102	DIGESTED SLUDGE	8"	PLUG	HANDWHEEL	
V-103	DIGESTED SLUDGE	8"	PLUG	HANDWHEEL	
V-104	DIGESTED SLUDGE	4"	PLUG	HANDWHEEL	
V-105	DIGESTED SLUDGE	4"	PLUG	HANDWHEEL	
V-106	DIGESTED SLUDGE	4"	PLUG	CHAINWHEEL	
V-107	DIGESTED SLUDGE	4"	PLUG	CHAINWHEEL	
V-108	DIGESTED SLUDGE	4"	PLUG	CHAINWHEEL	
V-109	DIGESTED SLUDGE	4"	PLUG	CHAINWHEEL	
V-110	DIGESTED SLUDGE	4"	PLUG	CHAINWHEEL	
V-111	DIGESTED SLUDGE	4"	PLUG	CHAINWHEEL	
V-112	DIGESTED SLUDGE	4"	PLUG	CHAINWHEEL	
V-113	DIGESTED SLUDGE	4"	PLUG	CHAINWHEEL	
V-114	DIGESTED SLUDGE	4"	PLUG	CHAINWHEEL	
V-115	DIGESTED SLUDGE	4"	PLUG	CHAINWHEEL	
V-116	DIGESTED SLUDGE	4"	PLUG	HANDWHEEL	
V-117	DIGESTED SLUDGE	4"	PLUG	HANDWHEEL	
V-118	SLUDGE CAKE	6"	BALL	CHAINWHEEL	
V-119	SLUDGE CAKE	6"	BALL	CHAINWHEEL	
V-120	SLUDGE CAKE	8"	BALL	CHAINWHEEL	
V-121	SLUDGE CAKE	8"	BALL	CHAINWHEEL	
V-122	SLUDGE CAKE	8"	BALL	CHAINWHEEL	
V-123	SLUDGE CAKE	8"	BALL	CHAINWHEEL	
V-124	SLUDGE CAKE	6"	BALL	CHAINWHEEL	
V-125	SLUDGE CAKE	8"	BALL	CHAINWHEEL	
V-126	SLUDGE CAKE	8"	BALL	CHAINWHEEL	
V-127	SLUDGE CAKE	8"	BALL	CHAINWHEEL	
V-128	SLUDGE CAKE	8"	BALL	CHAINWHEEL	

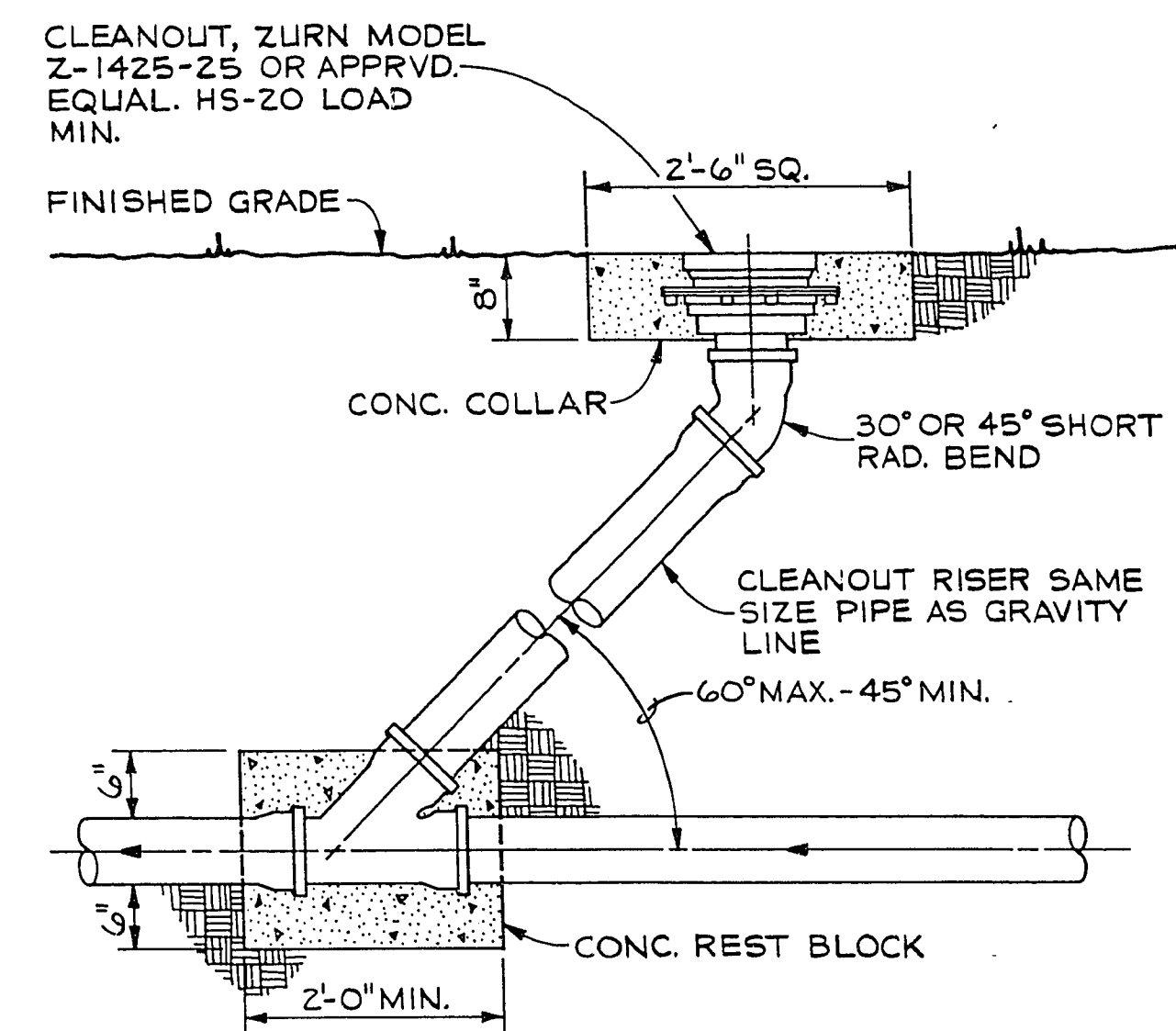
NOTE:
 (1) DESCRIPTIONS ARE INTENDED ONLY TO SERVE AS A CONSTRUCTION AID AND SHOULD NOT BE CONSIDERED AS AN ALL INCLUSIVE BILL OF MATERIALS.



PIPE SUPPORT DETAIL FOR TRENCH PIPING
NO SCALE

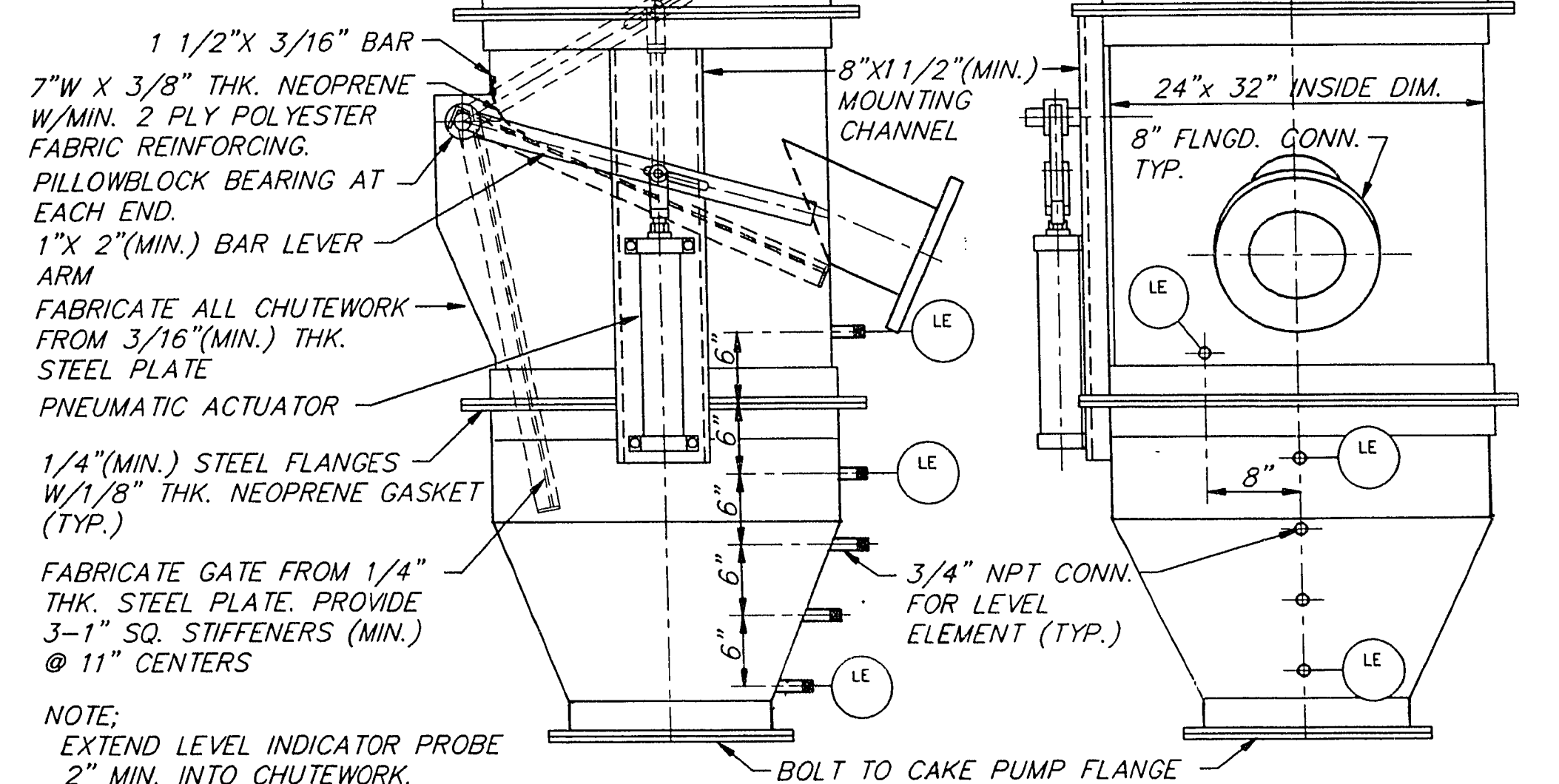


TYPICAL SEAL/SERVICE WATER DETAIL
NO SCALE

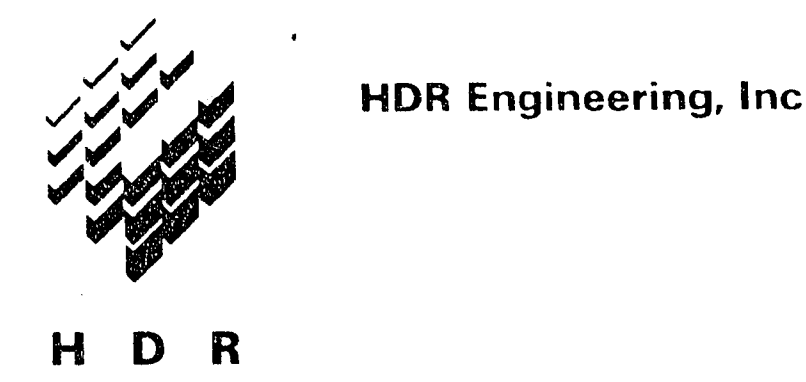


CLEANOUT AT GRADE DETAIL
NO SCALE

NOTE:
 SUPPORT SOLIDS DISCHARGE CHUTE FROM CEILING. DESIGN SUPPORTS FOR SUPPORTING WEIGHT OF CHUTE ASSEMBLY FULL OF SLUDGE CAKE.

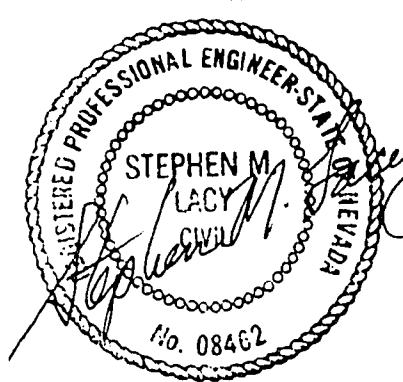


SOLIDS DISCHARGE CHUTE DETAIL
SCALE: 1"=1'-0"



1 CORRECTED ACCORDING TO CONSTRUCTION RECORDS

4-92 DJD DAK DAK SML
 Date Drawn Chkd Resp Engr Proj Mgr



Project Manager: STEVE M. LACY
 Architect: M.J. SHANAHAN
 Civil: A.J. PETERSON
 Electrical: F.E. MAYCOCK

I&C Process: D.F. PENNER
 Mechanical: G.A. NELSON
 Structural: R.E. KUMM

Sludge Dewatering Facilities

PROCESS DETAILS

Scale	AS NOTED	Project No.	00120-028-041	Drawing No.	P-7	Issue	1
-------	----------	-------------	---------------	-------------	-----	-------	---

54 of 69
 8-28-89
 311.18