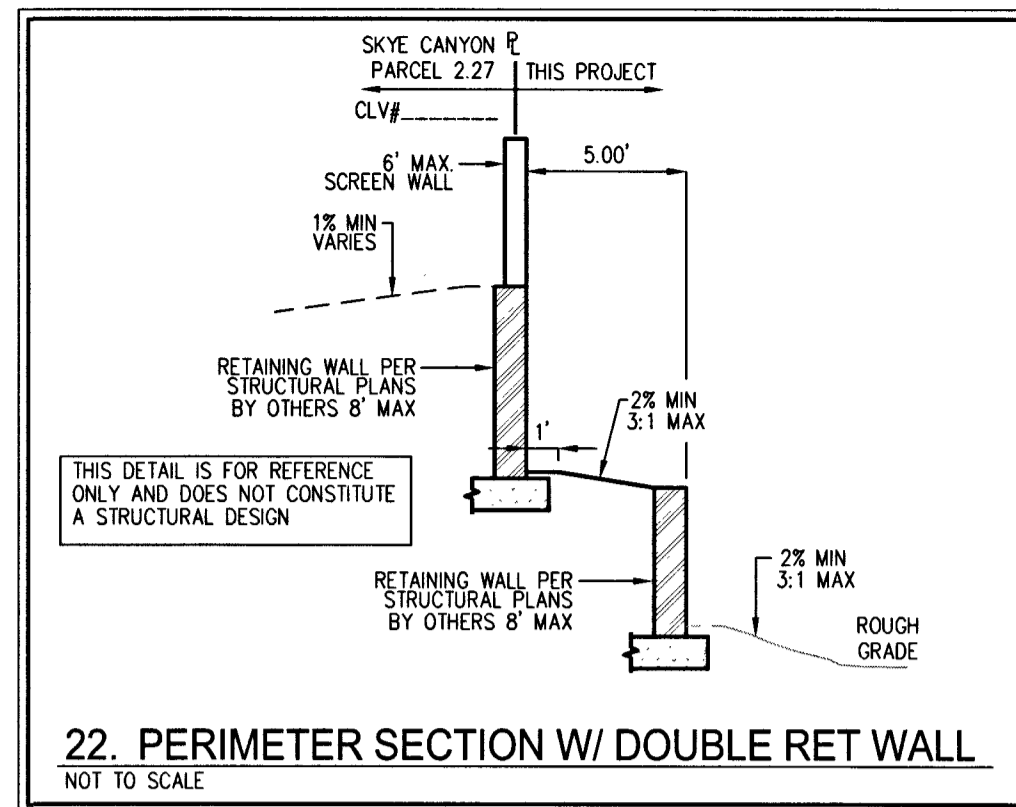
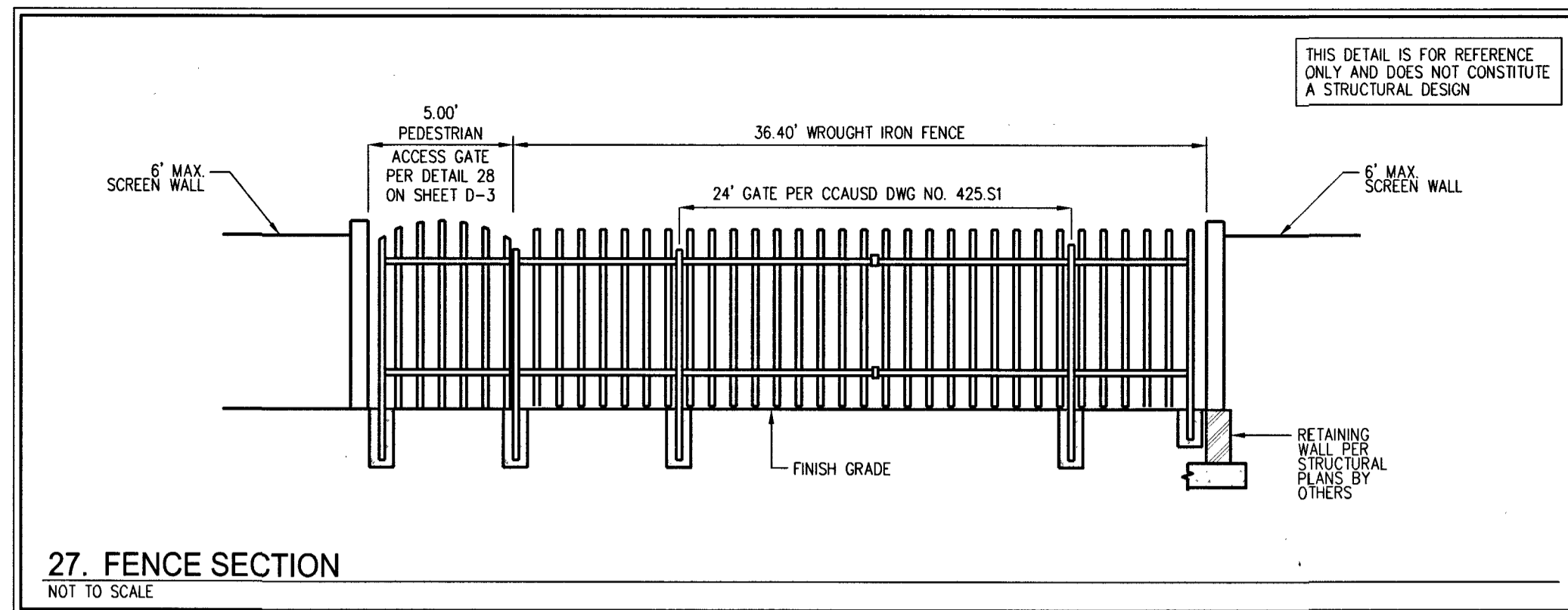


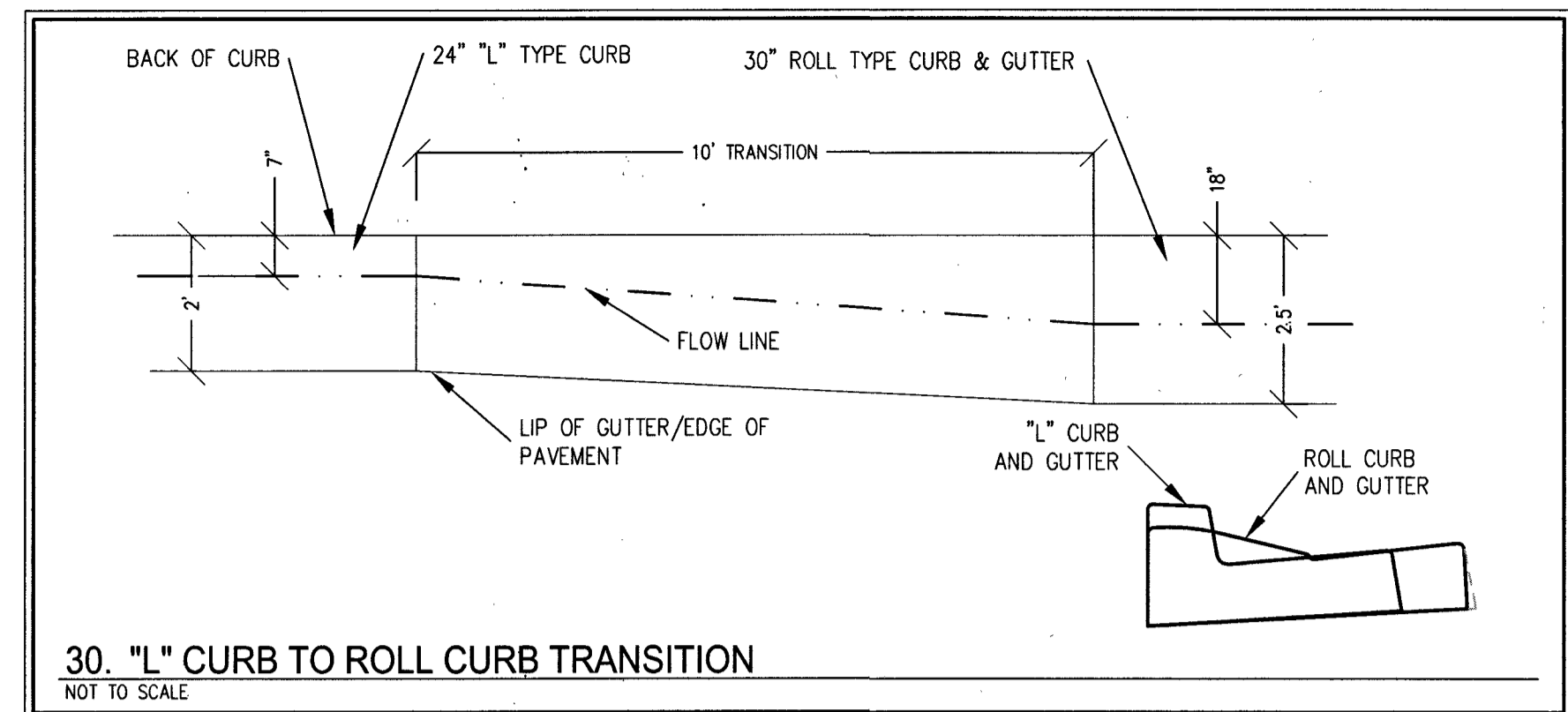
21. ADJACENT PAD W/ DOUBLE RET WALL
NOT TO SCALE



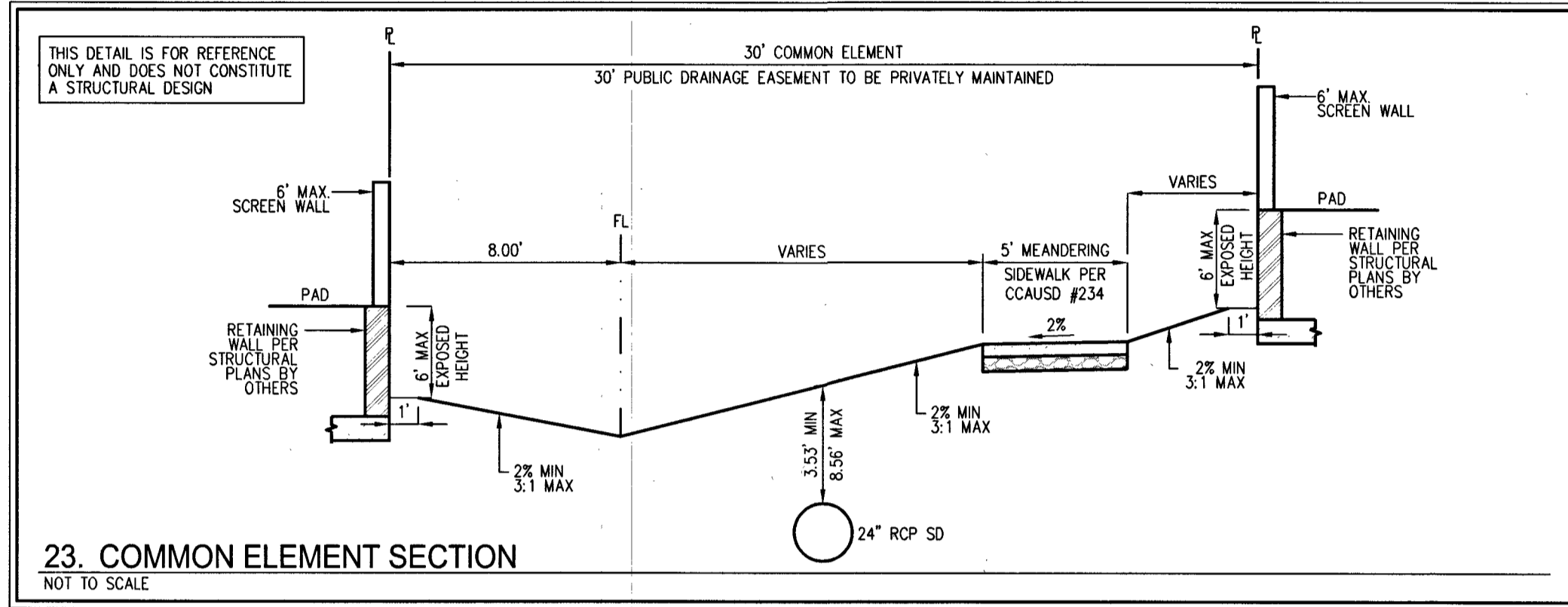
22. PERIMETER SECTION W/ DOUBLE RET WALL
NOT TO SCALE



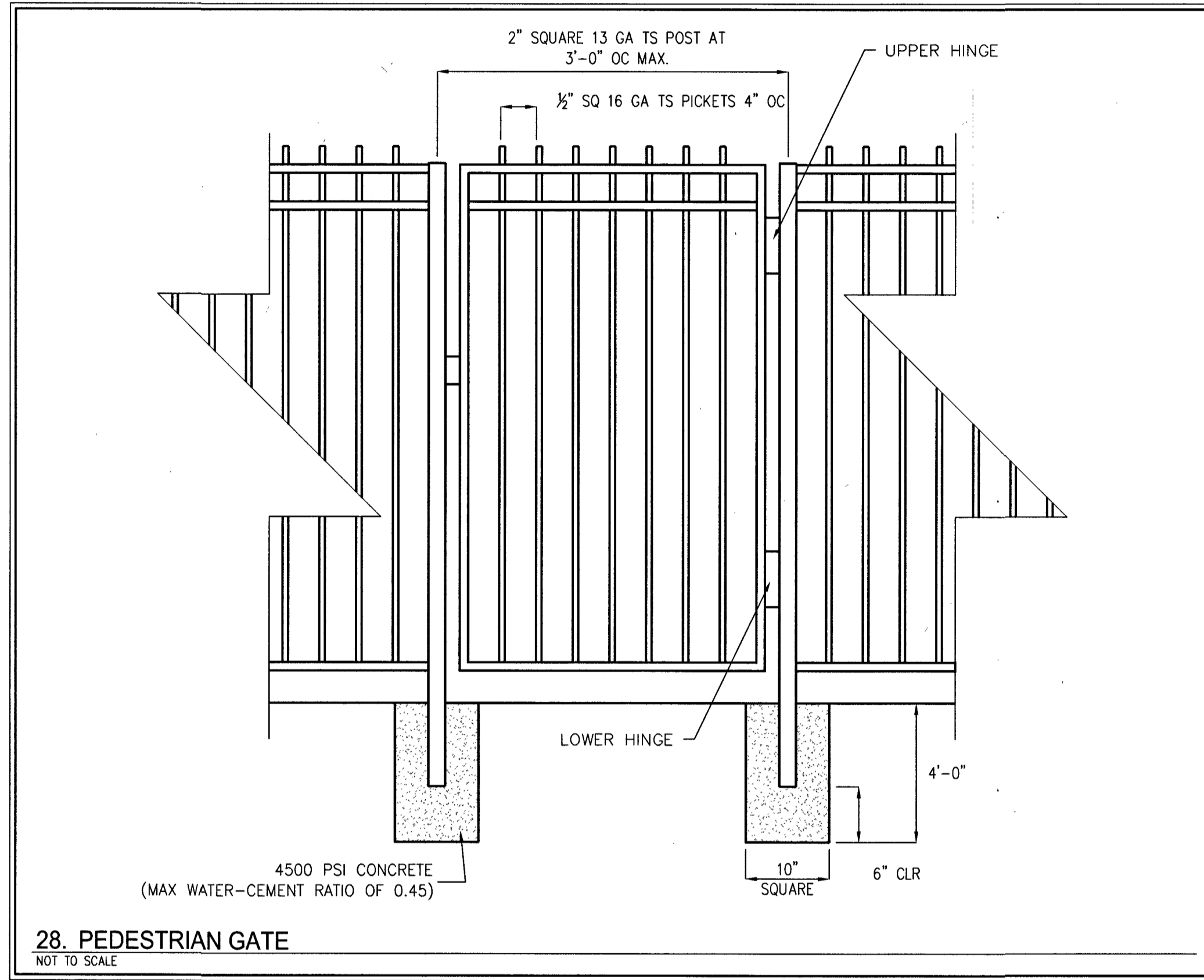
27. FENCE SECTION
NOT TO SCALE



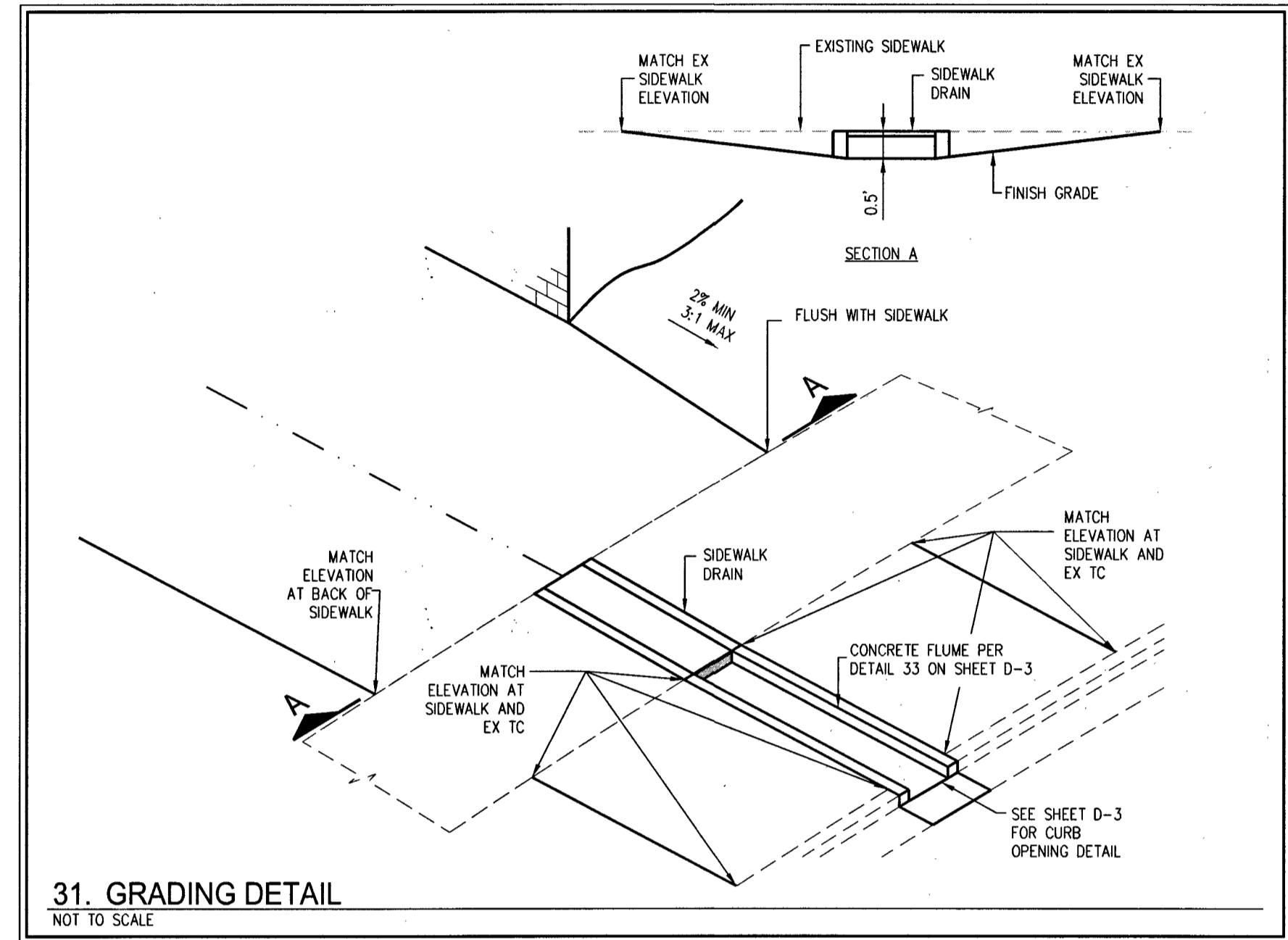
30. "L" CURB TO ROLL CURB TRANSITION
NOT TO SCALE



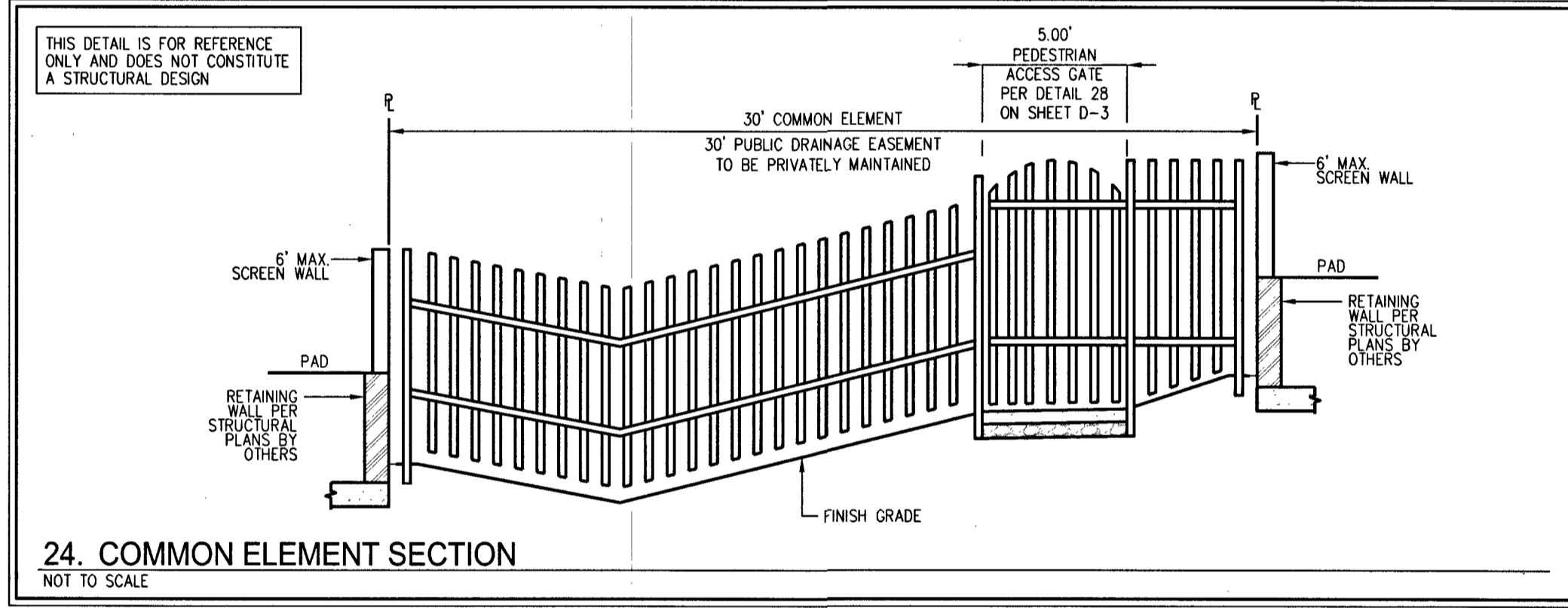
23. COMMON ELEMENT SECTION
NOT TO SCALE



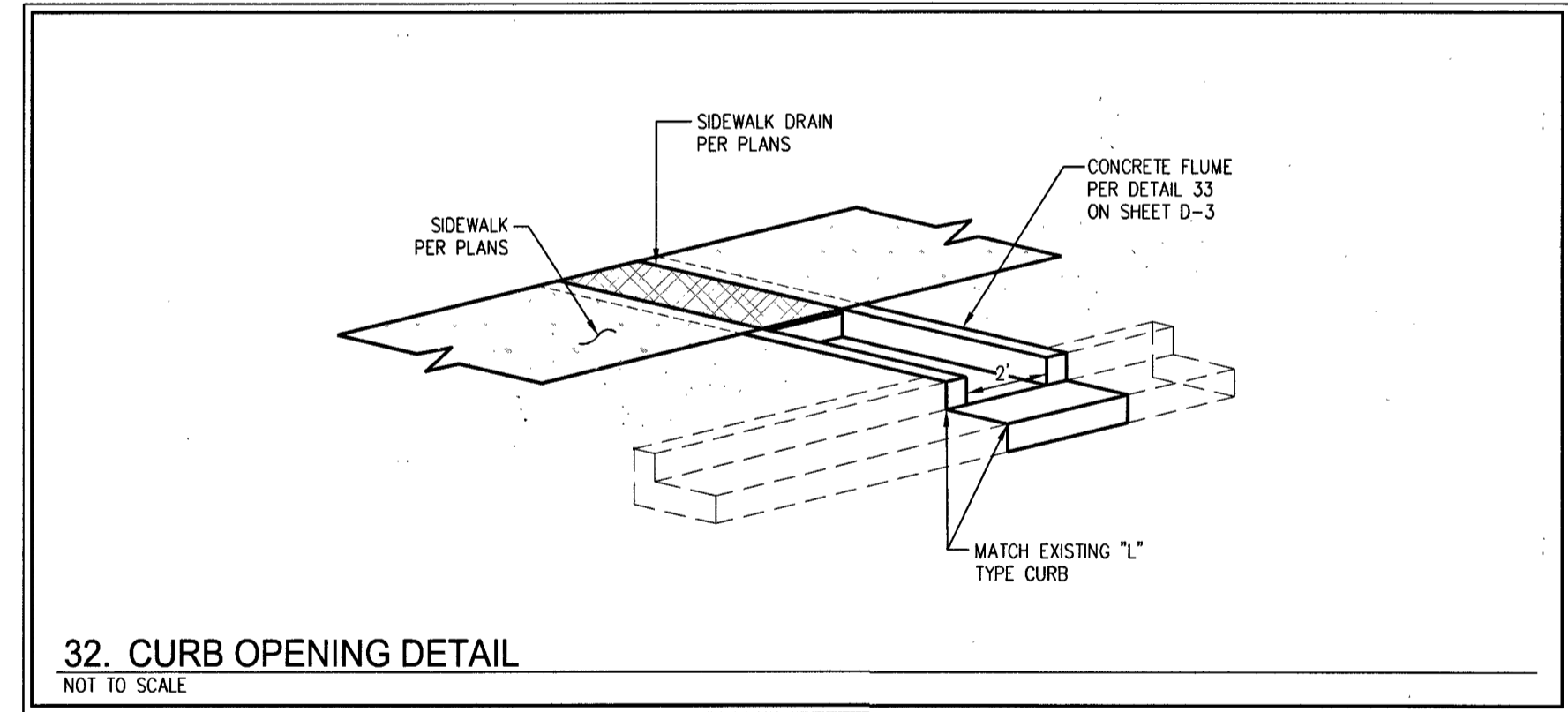
28. PEDESTRIAN GATE
NOT TO SCALE



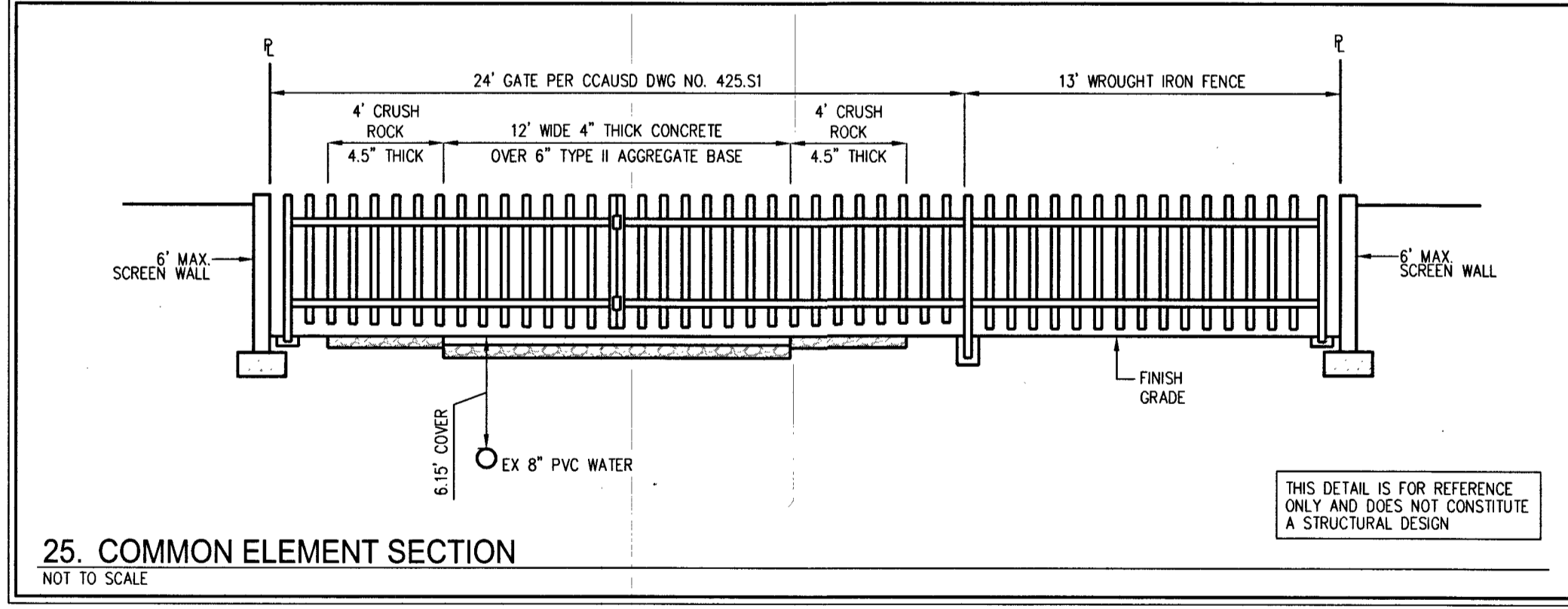
31. GRADING DETAIL
NOT TO SCALE



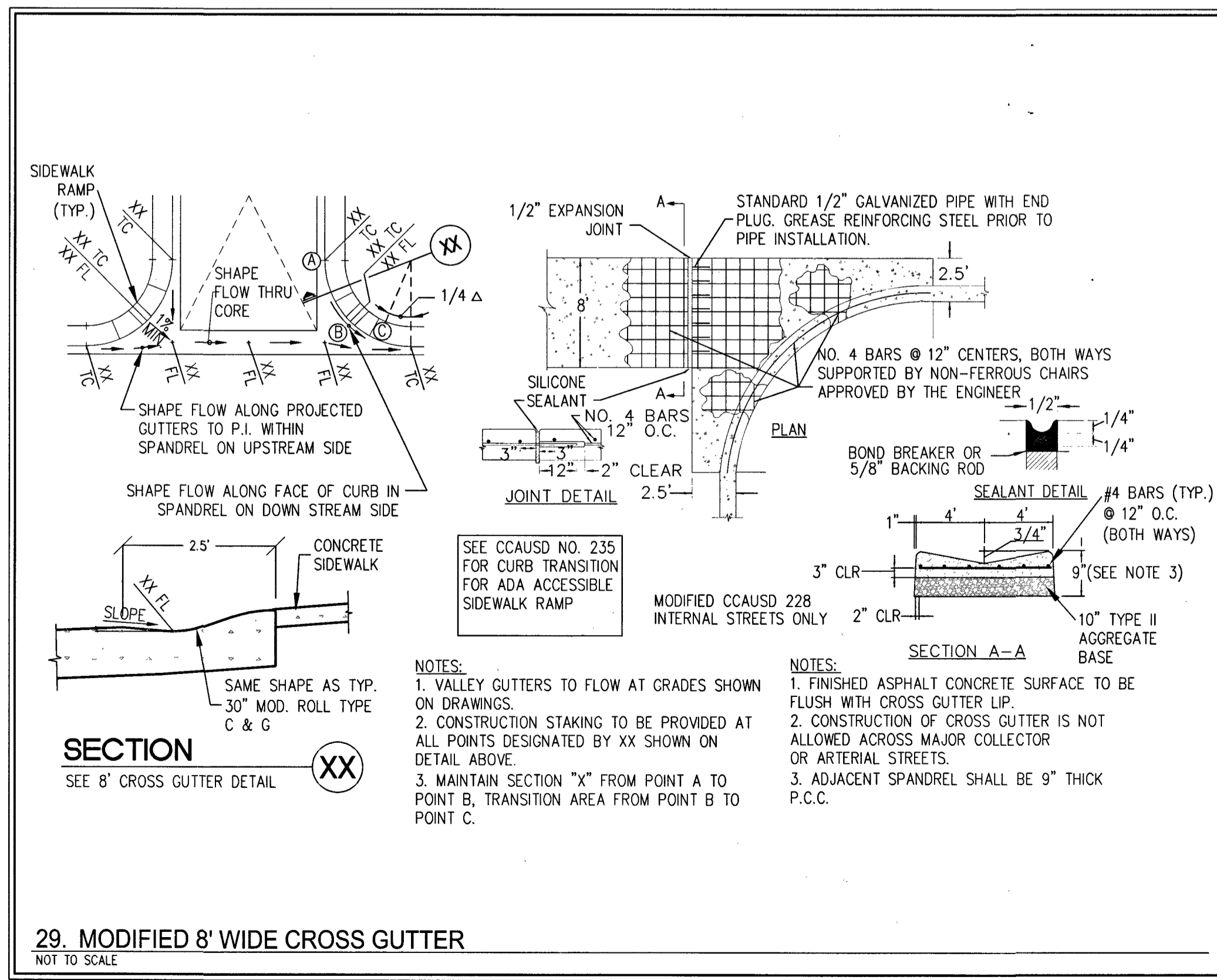
24. COMMON ELEMENT SECTION
NOT TO SCALE



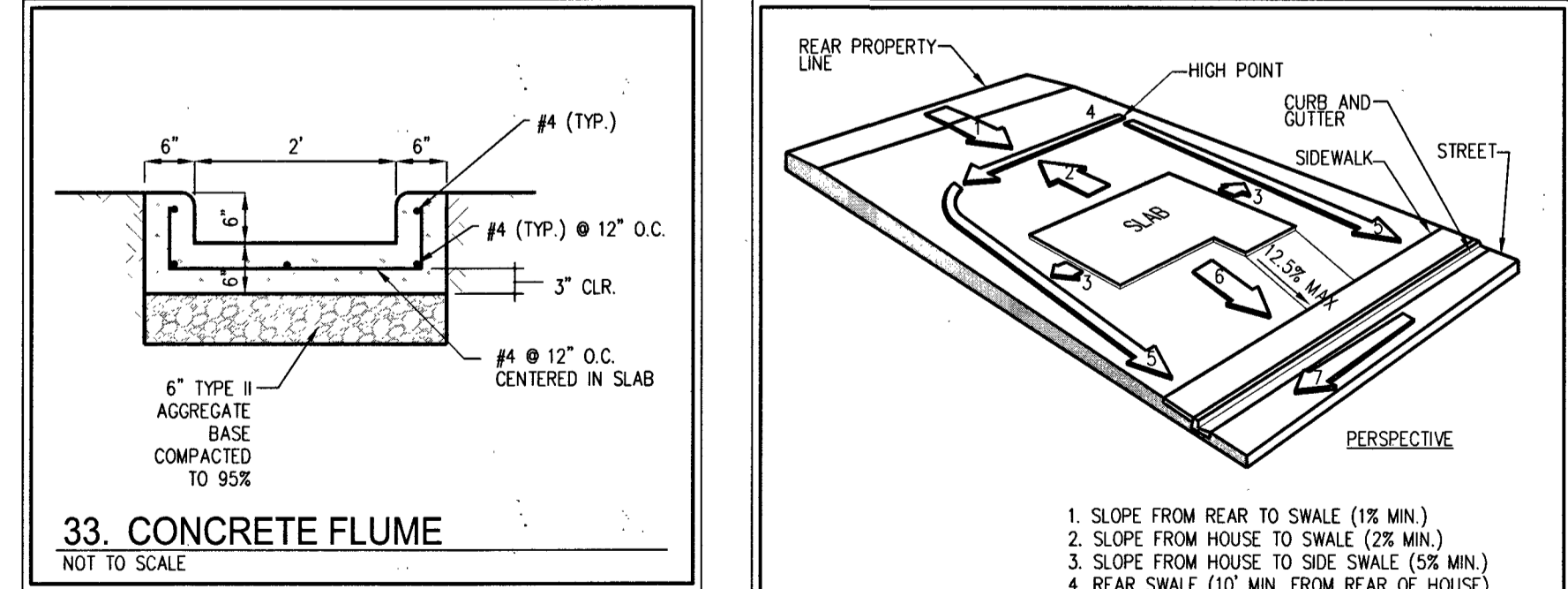
32. CURB OPENING DETAIL
NOT TO SCALE



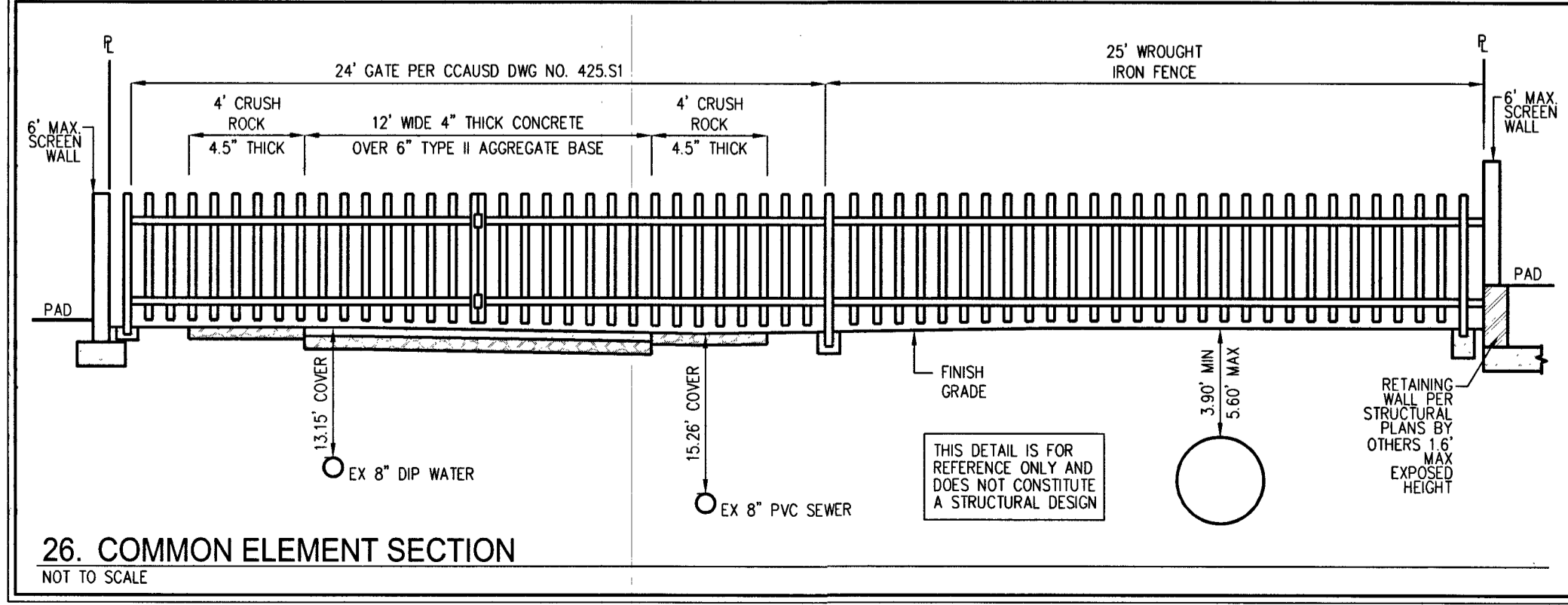
25. COMMON ELEMENT SECTION
NOT TO SCALE



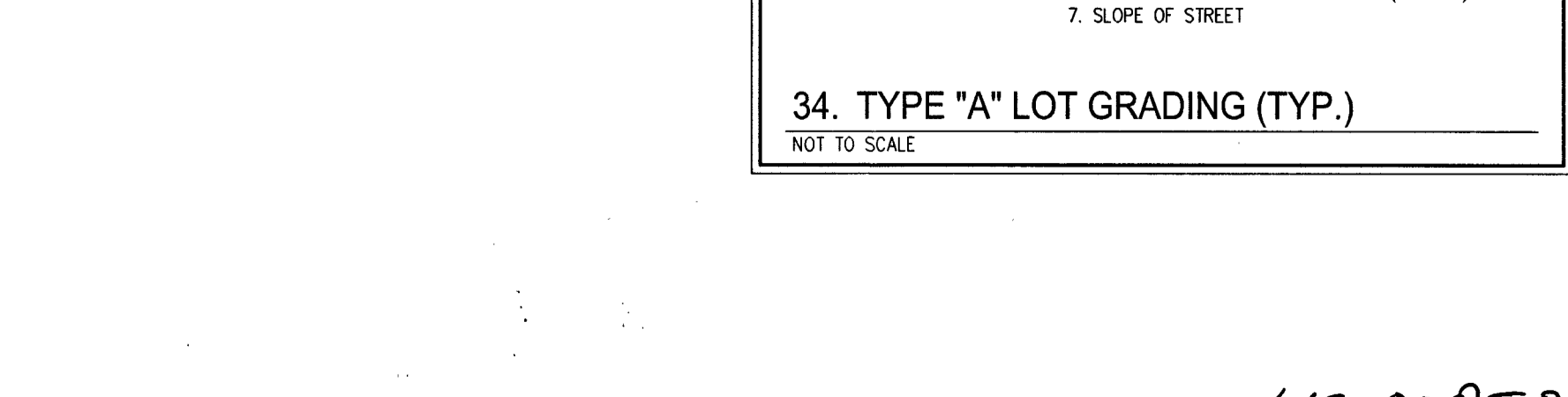
29. MODIFIED 8' WIDE CROSS GUTTER
NOT TO SCALE



33. CONCRETE FLUME
NOT TO SCALE



26. COMMON ELEMENT SECTION
NOT TO SCALE



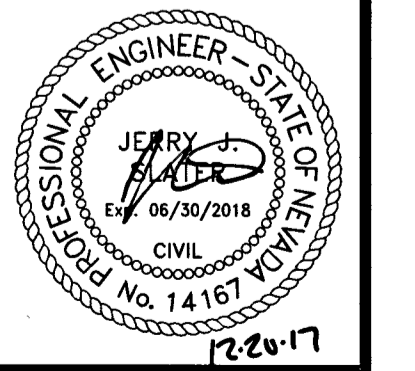
34. TYPE "A" LOT GRADING (TYP.)
NOT TO SCALE

NO.	DESCRIPTION	DATE	BY	APP

CITY OF LAS VEGAS, NV

GREYSTONE NEVADA, LLC
SKYE CANYON II PARCEL 2.29 PHASE 1
GRADING SECTIONS AND DETAILS

DATE: 12/20/17
DRAFTER: DNP
DESIGNER: BCC/DNP
CHECKED: STS
PROJECT NO.
OLY1710-000



D-3
SHEET 12 OF 33
HANSEN NO. 00858
DWG NO. 107Y5064-1

L17-00858