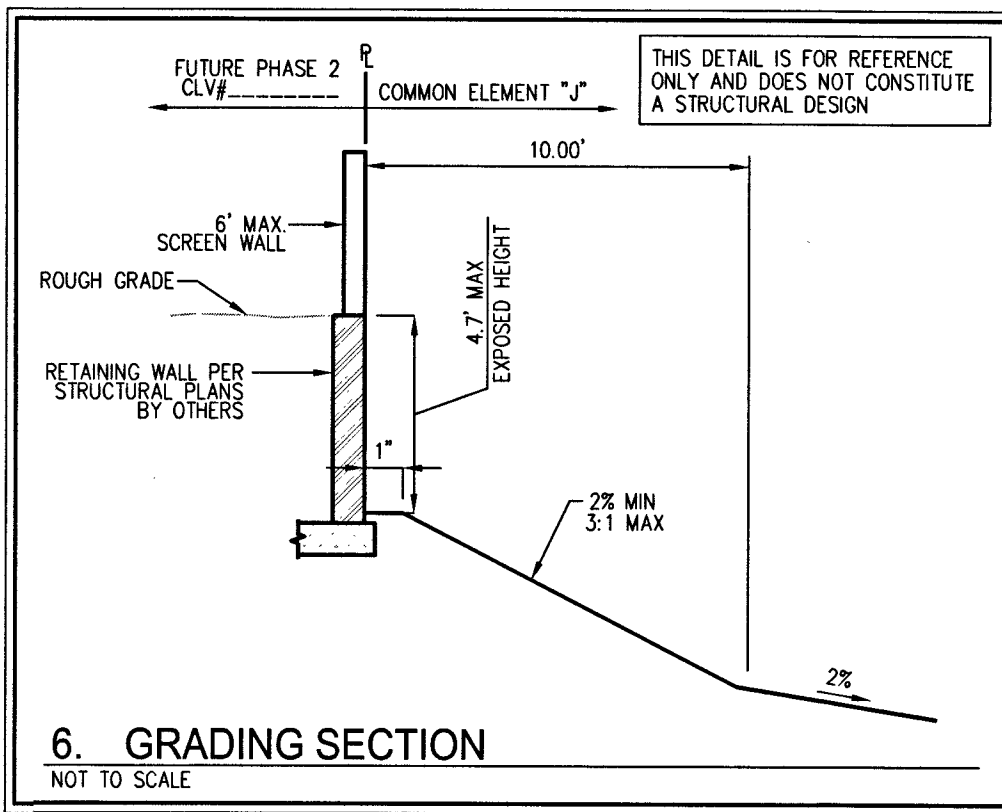
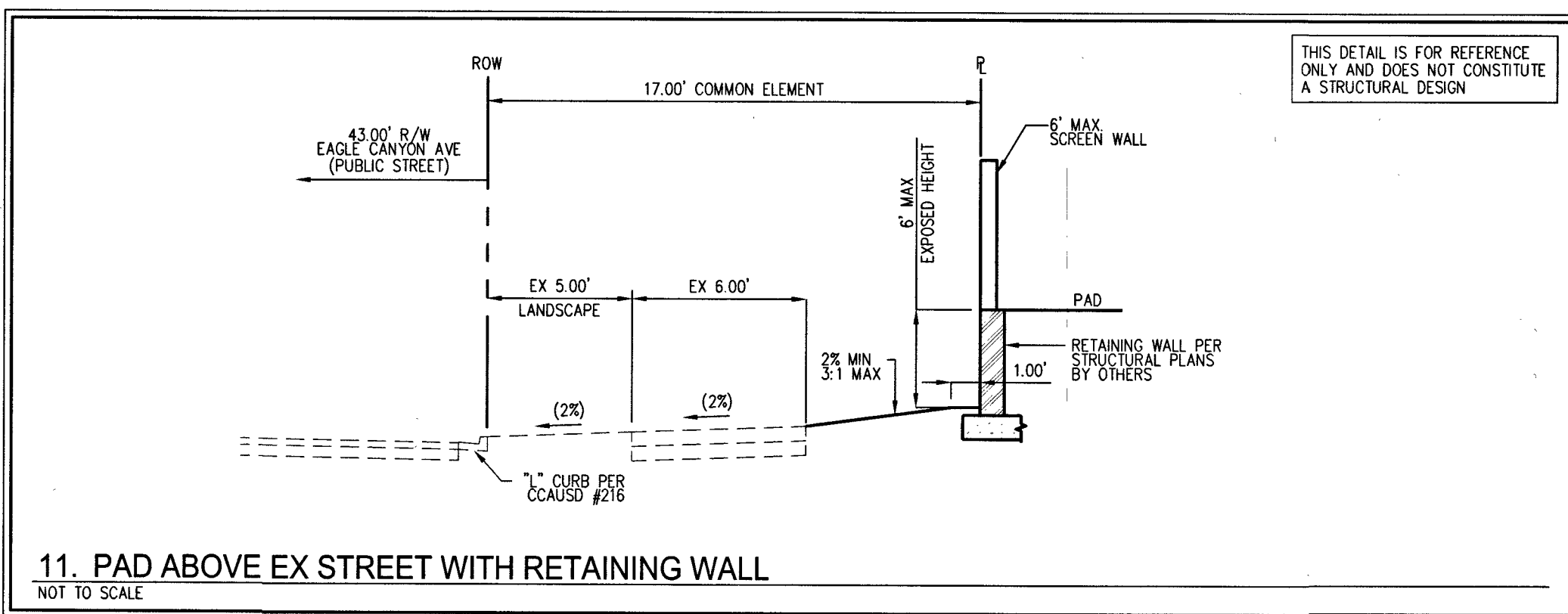


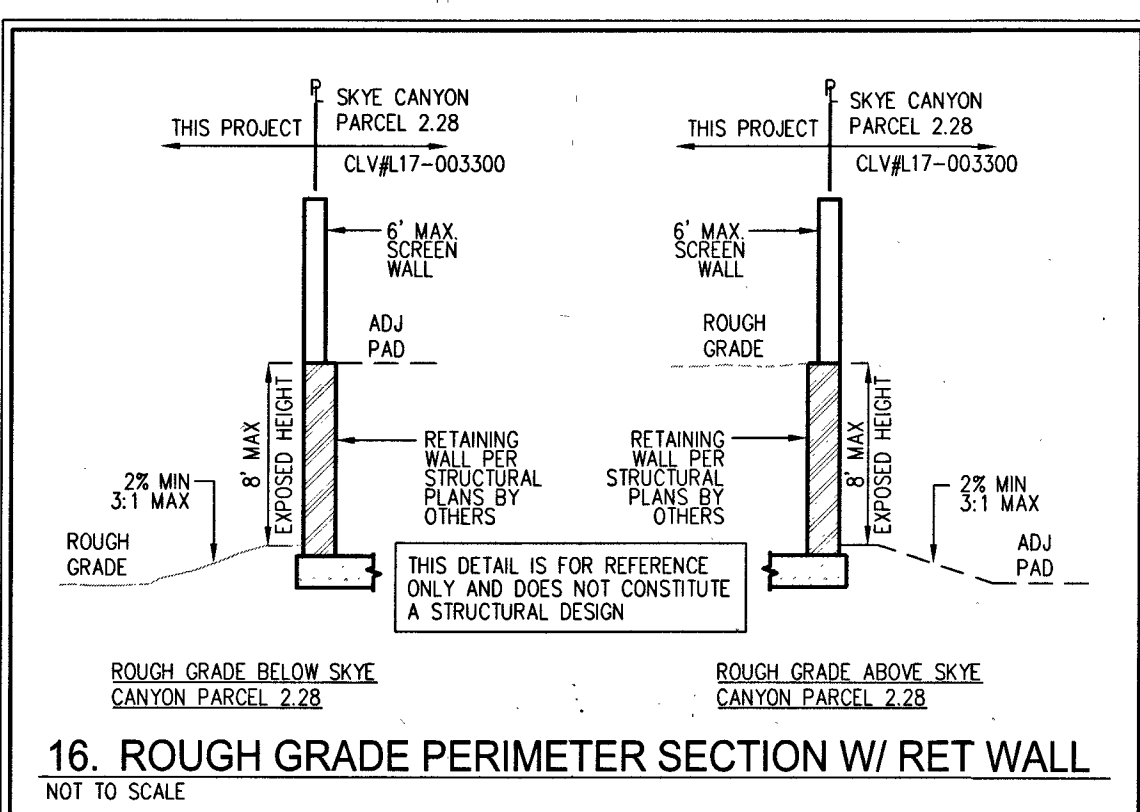
1. PAD TO PAD W/O RET WALL
NOT TO SCALE



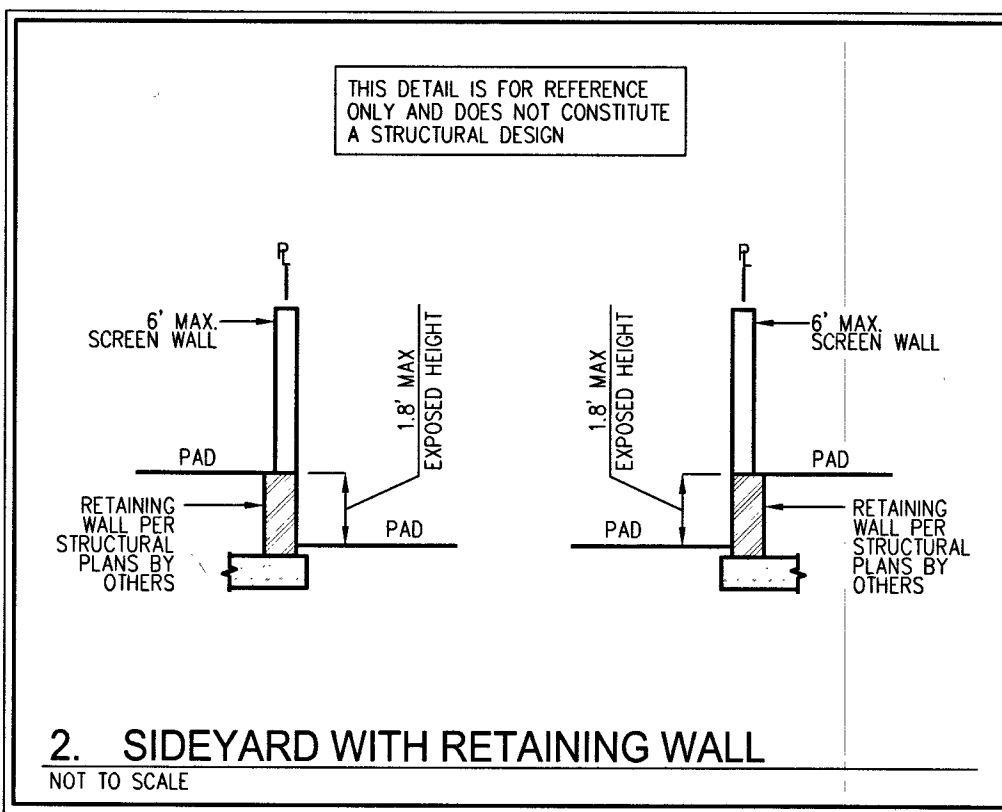
6. GRADING SECTION
NOT TO SCALE



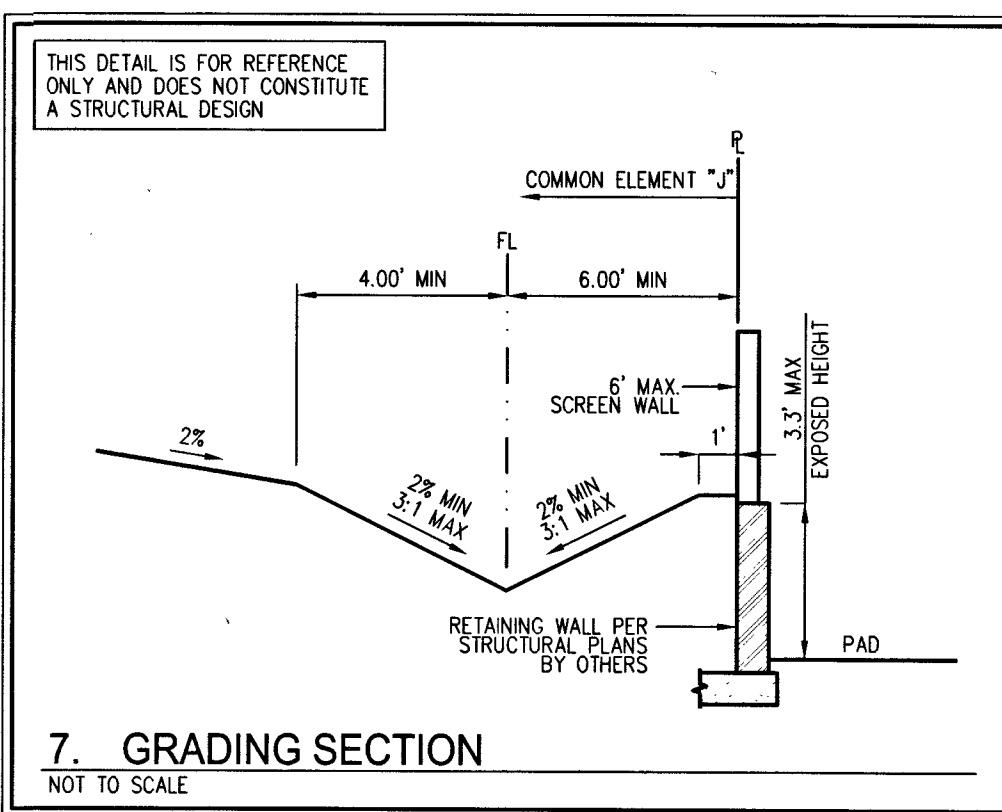
11. PAD ABOVE EX STREET WITH RETAINING WALL
NOT TO SCALE



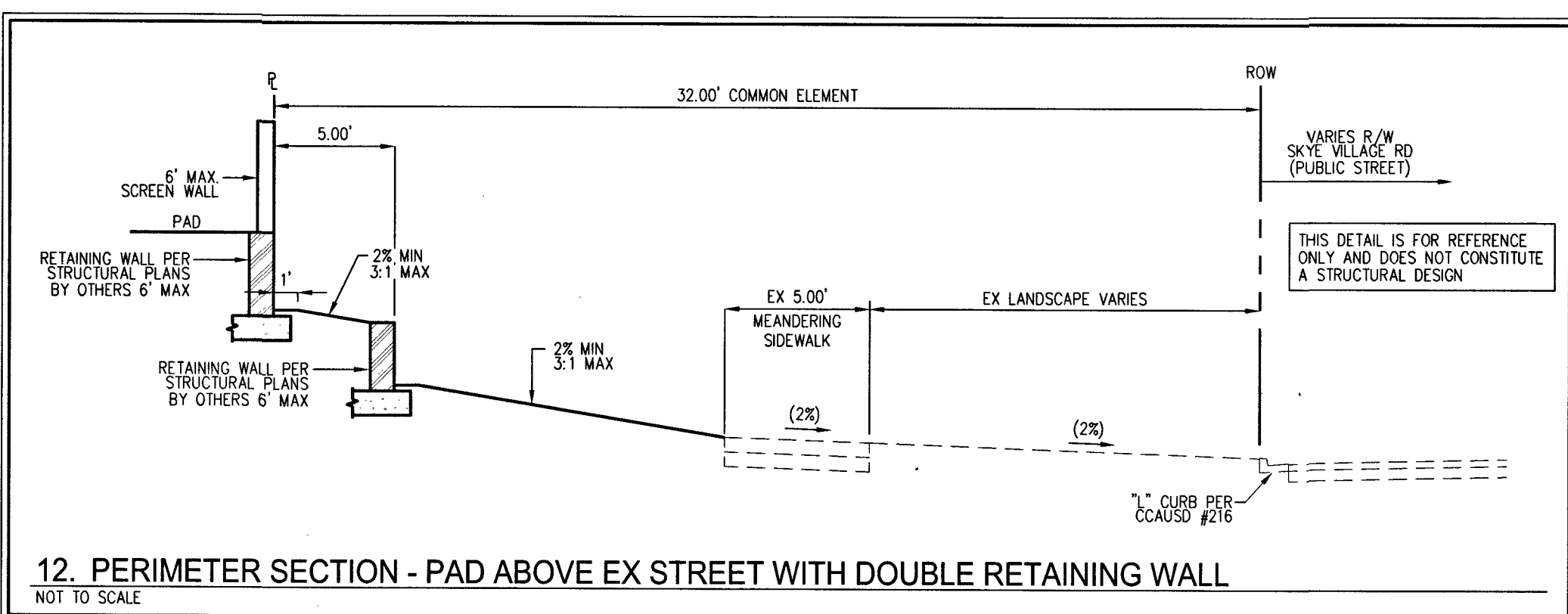
16. ROUGH GRADE PERIMETER SECTION W/ RET WALL
NOT TO SCALE



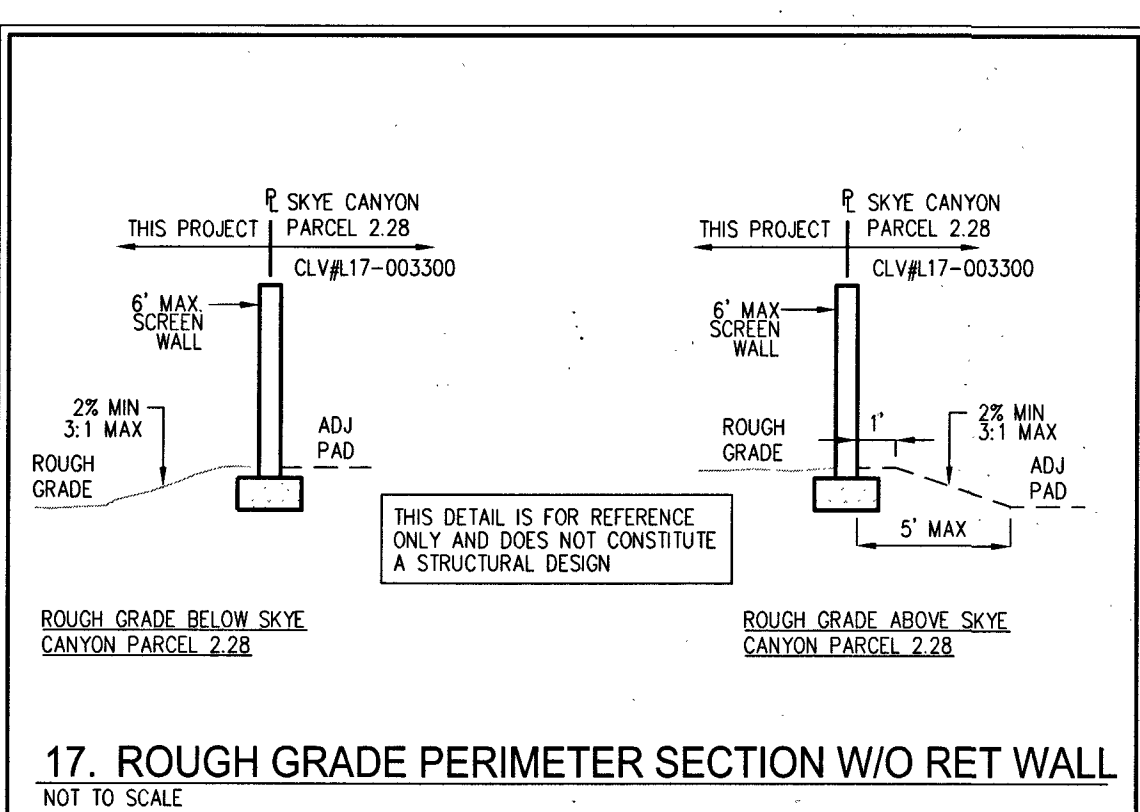
2. SIDEYARD WITH RETAINING WALL
NOT TO SCALE



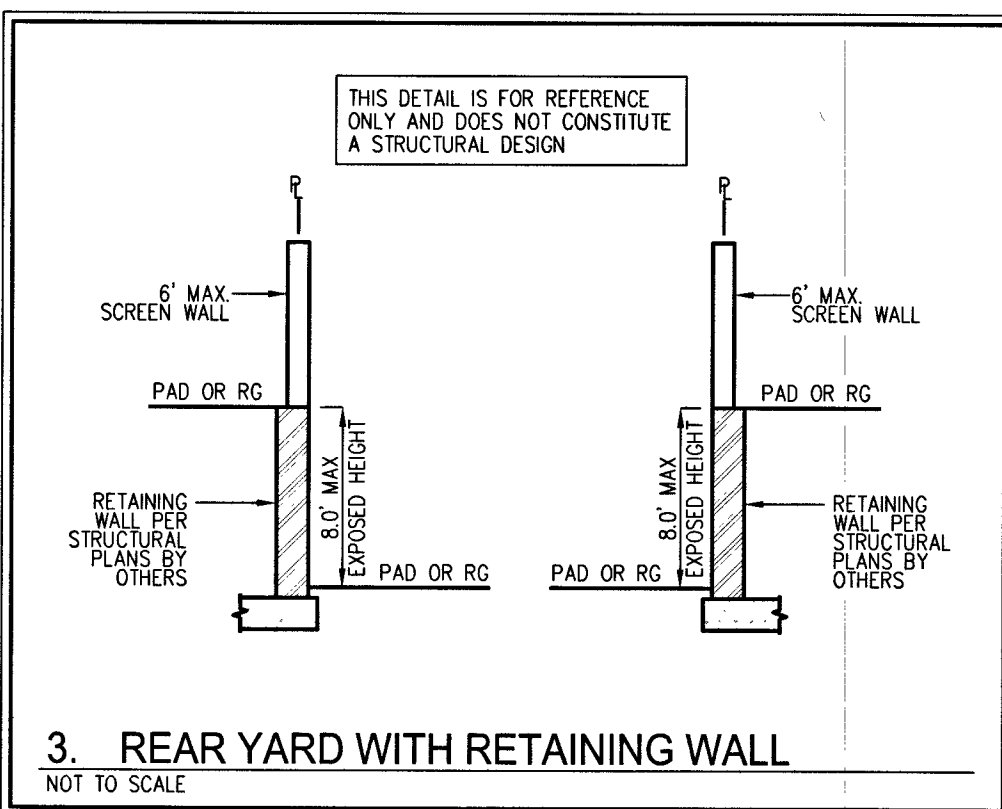
7. GRADING SECTION
NOT TO SCALE



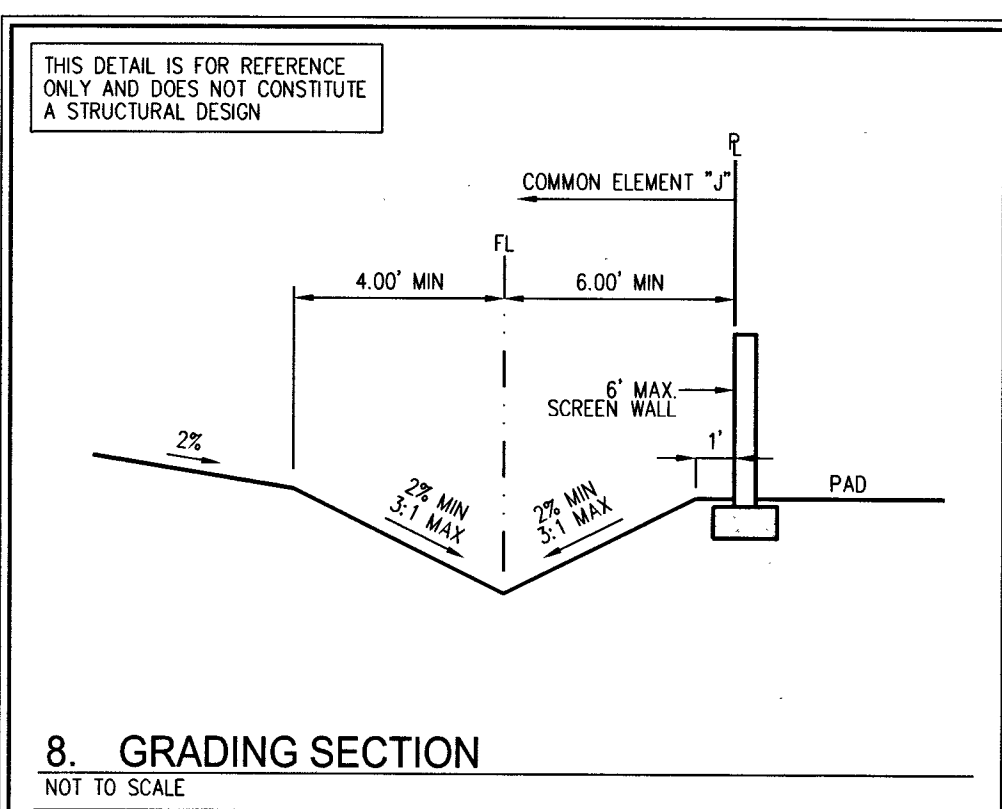
12. PERIMETER SECTION - PAD ABOVE EX STREET WITH DOUBLE RETAINING WALL
NOT TO SCALE



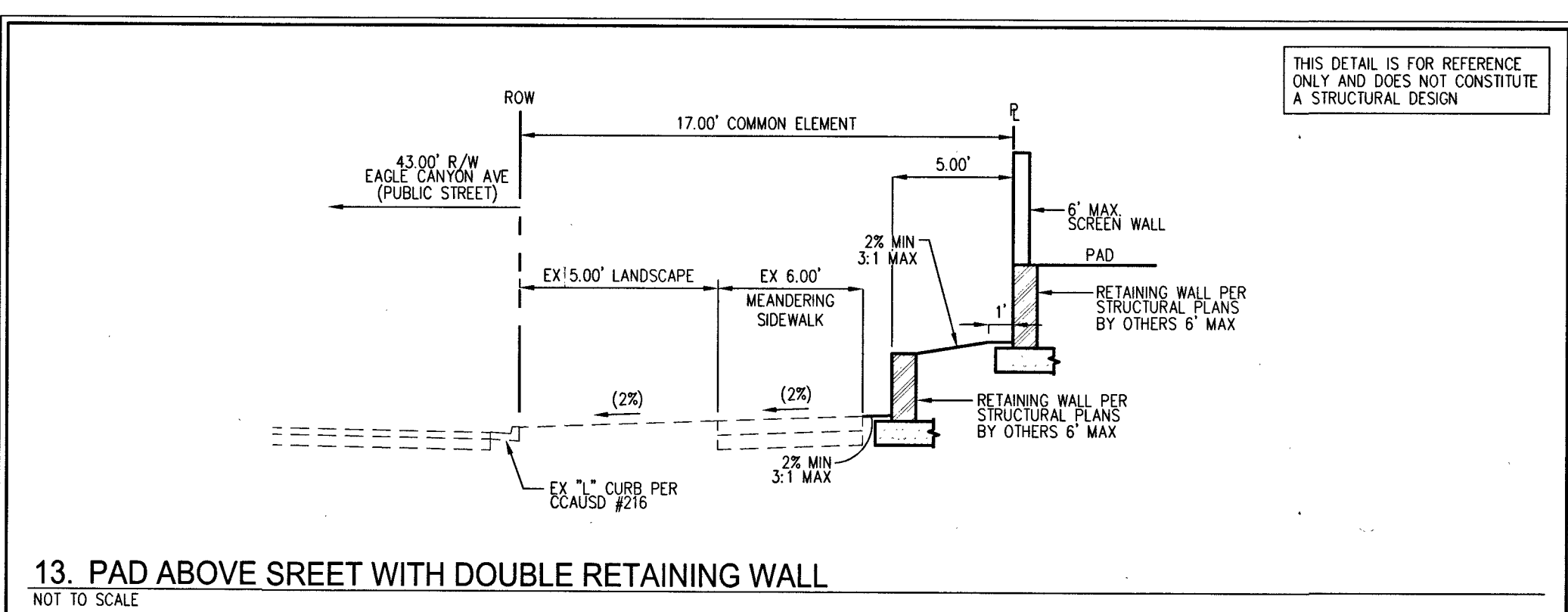
17. ROUGH GRADE PERIMETER SECTION W/O RET WALL
NOT TO SCALE



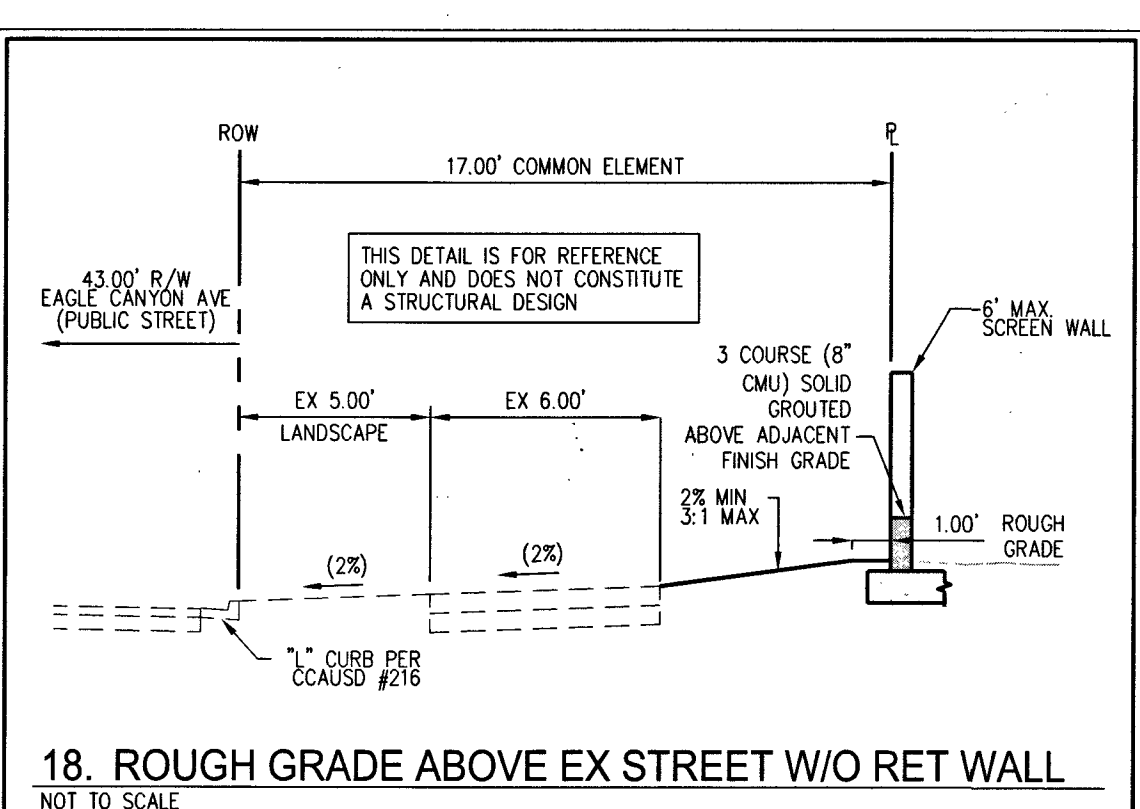
3. REAR YARD WITH RETAINING WALL
NOT TO SCALE



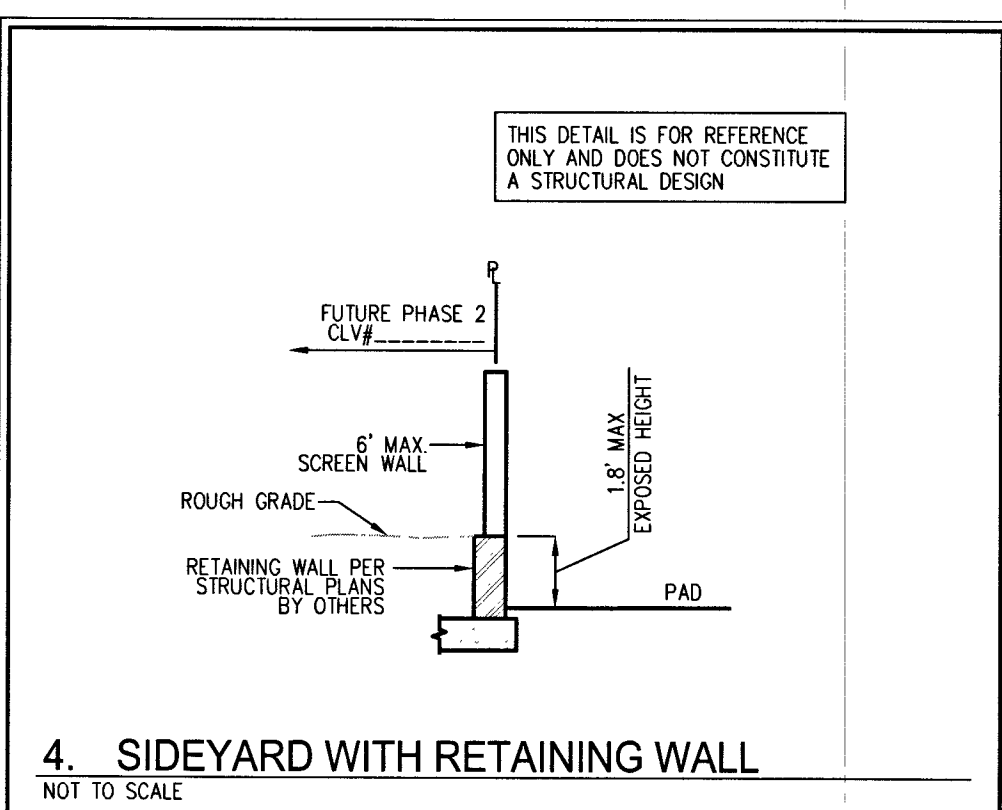
8. GRADING SECTION
NOT TO SCALE



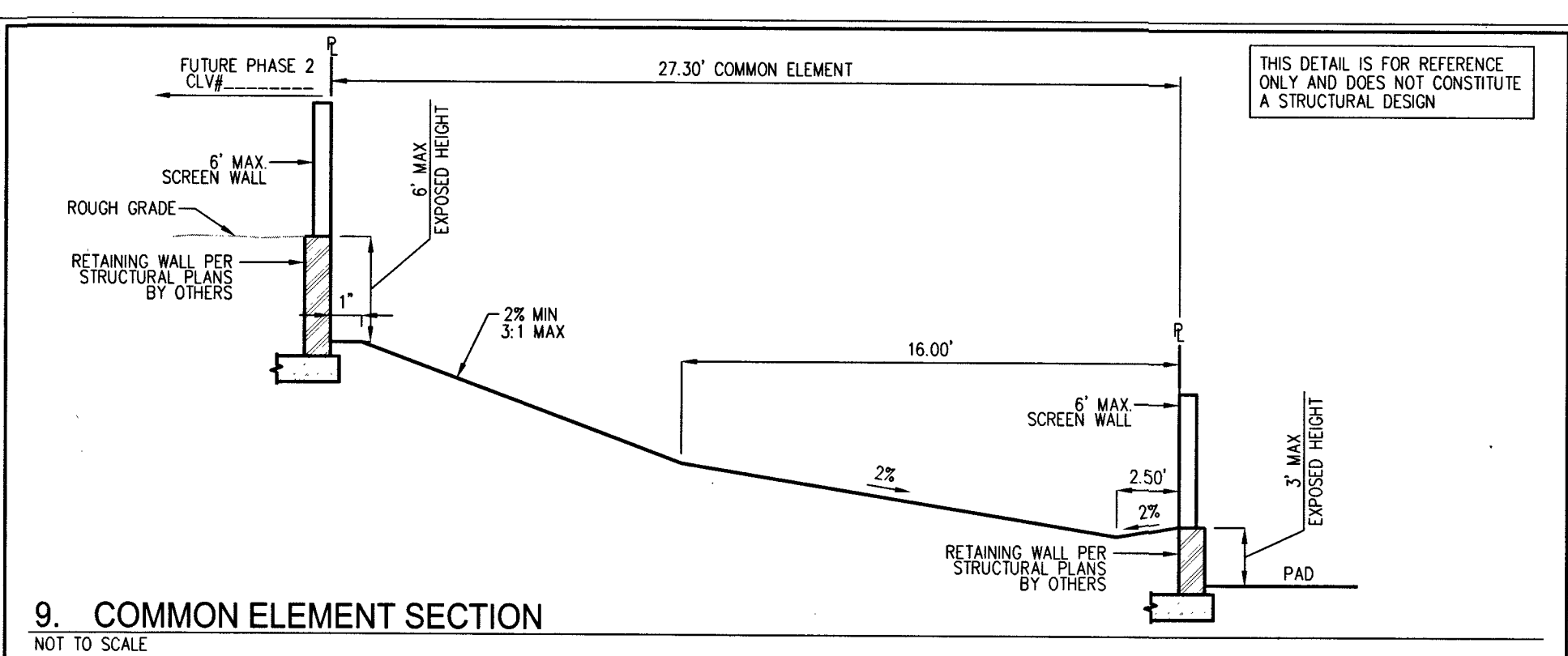
13. PAD ABOVE SREET WITH DOUBLE RETAINING WALL
NOT TO SCALE



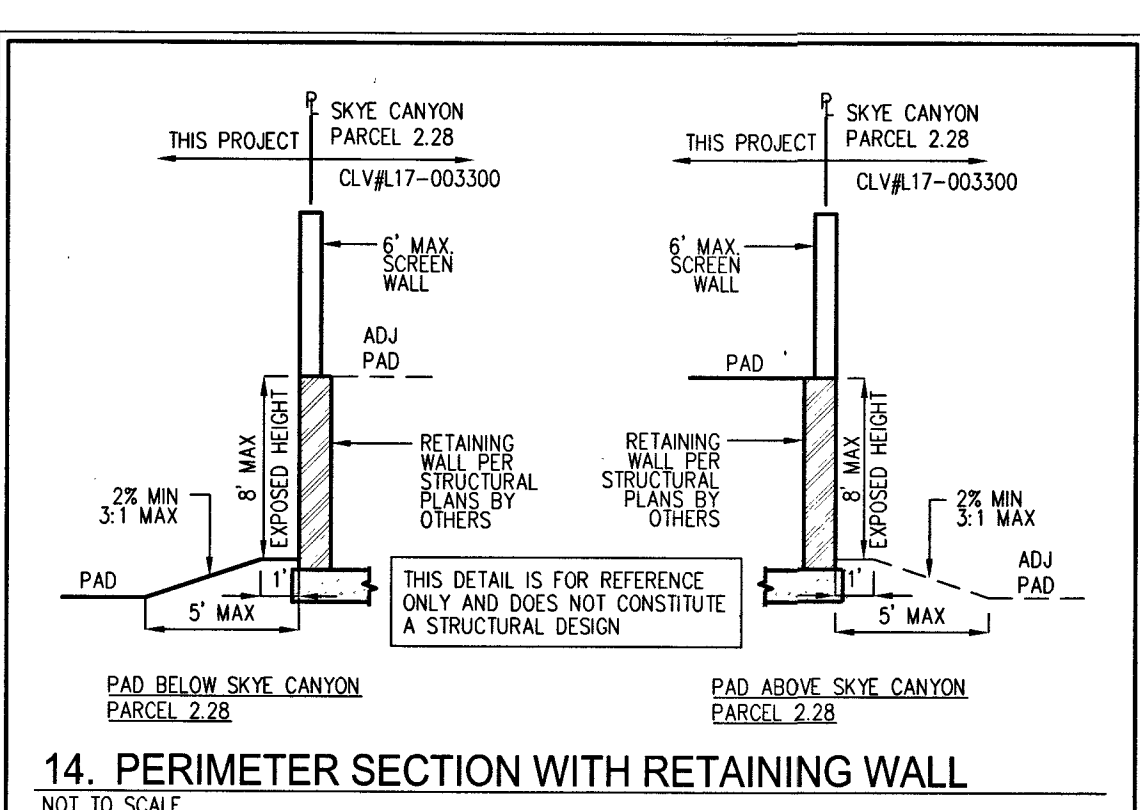
18. ROUGH GRADE ABOVE EX STREET W/O RET WALL
NOT TO SCALE



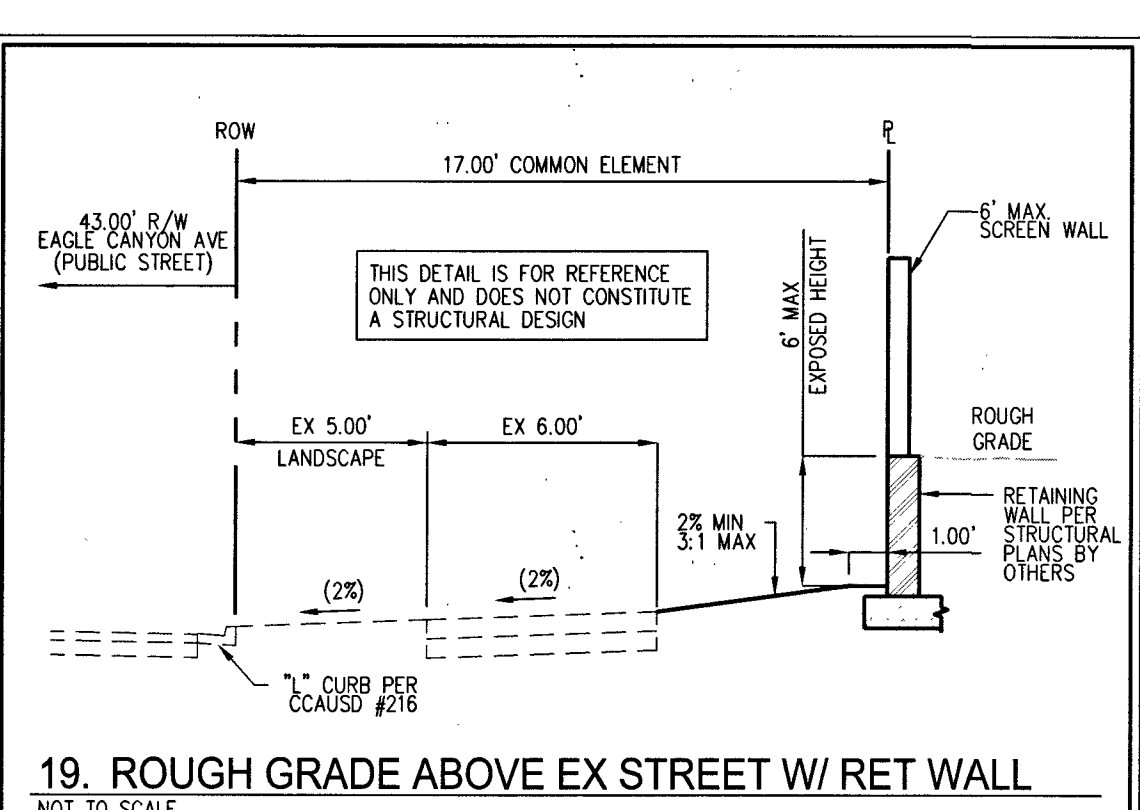
4. SIDEYARD WITH RETAINING WALL
NOT TO SCALE



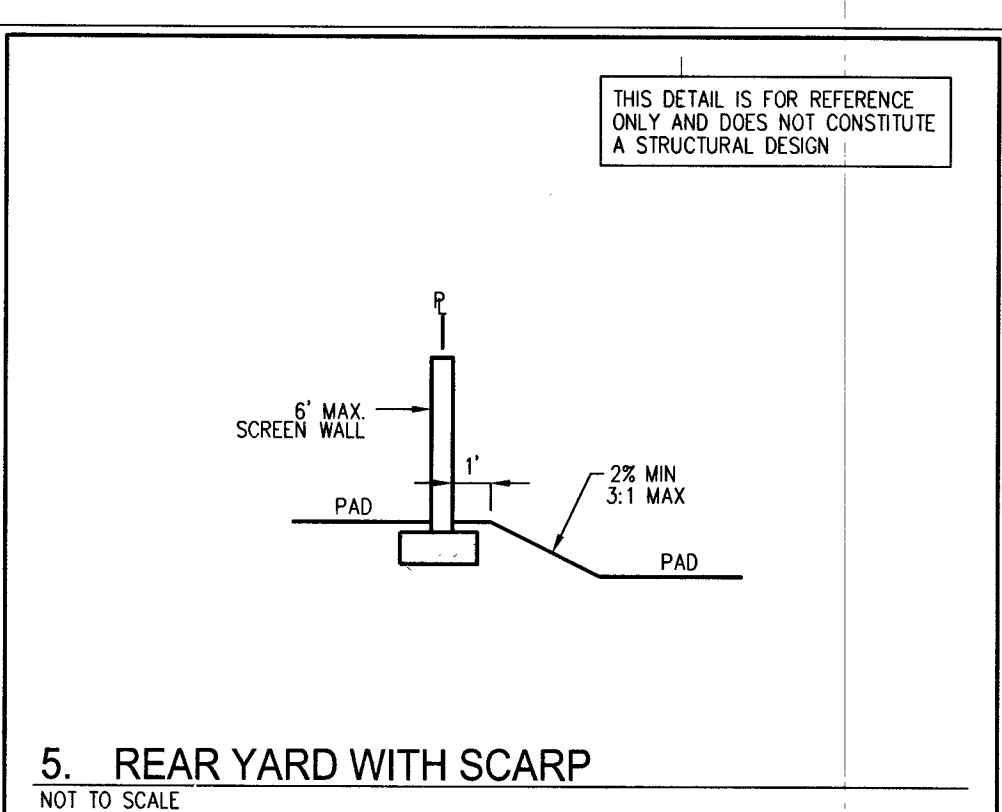
9. COMMON ELEMENT SECTION
NOT TO SCALE



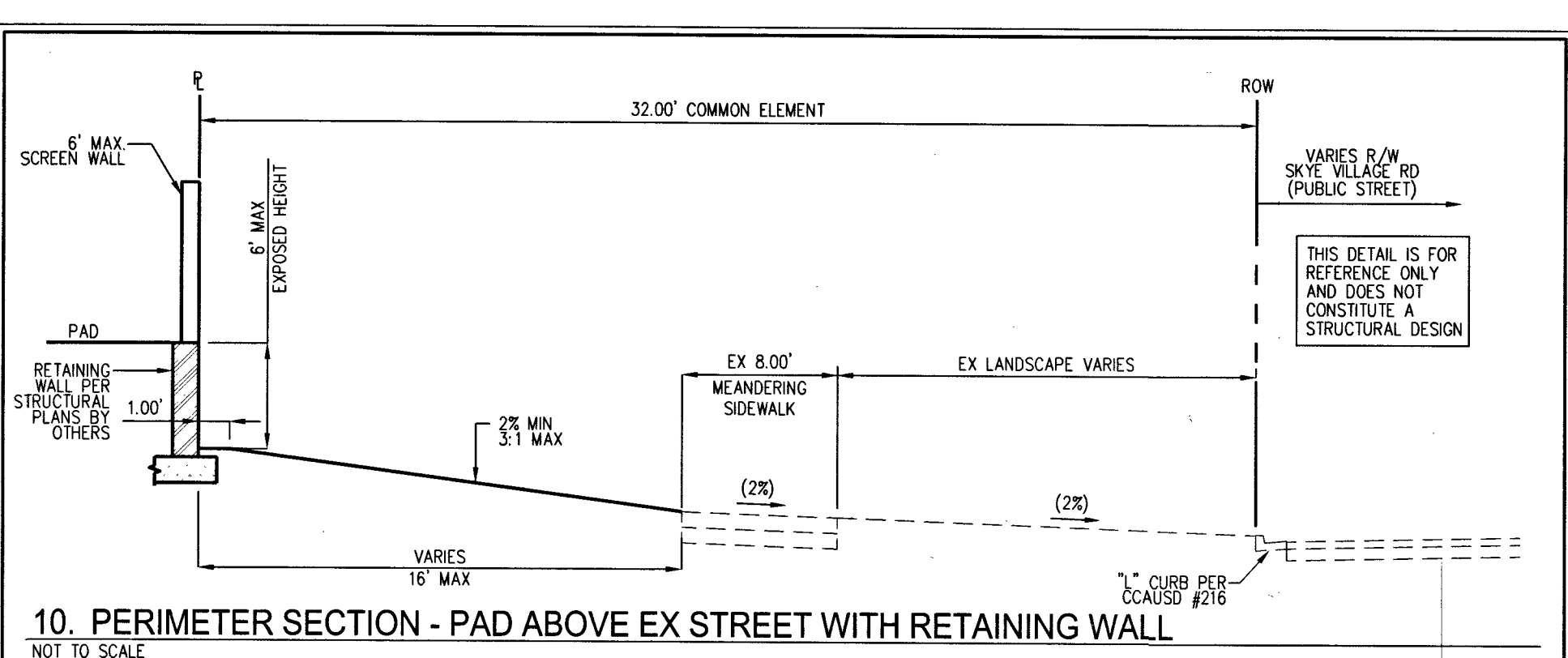
14. PERIMETER SECTION WITH RETAINING WALL
NOT TO SCALE



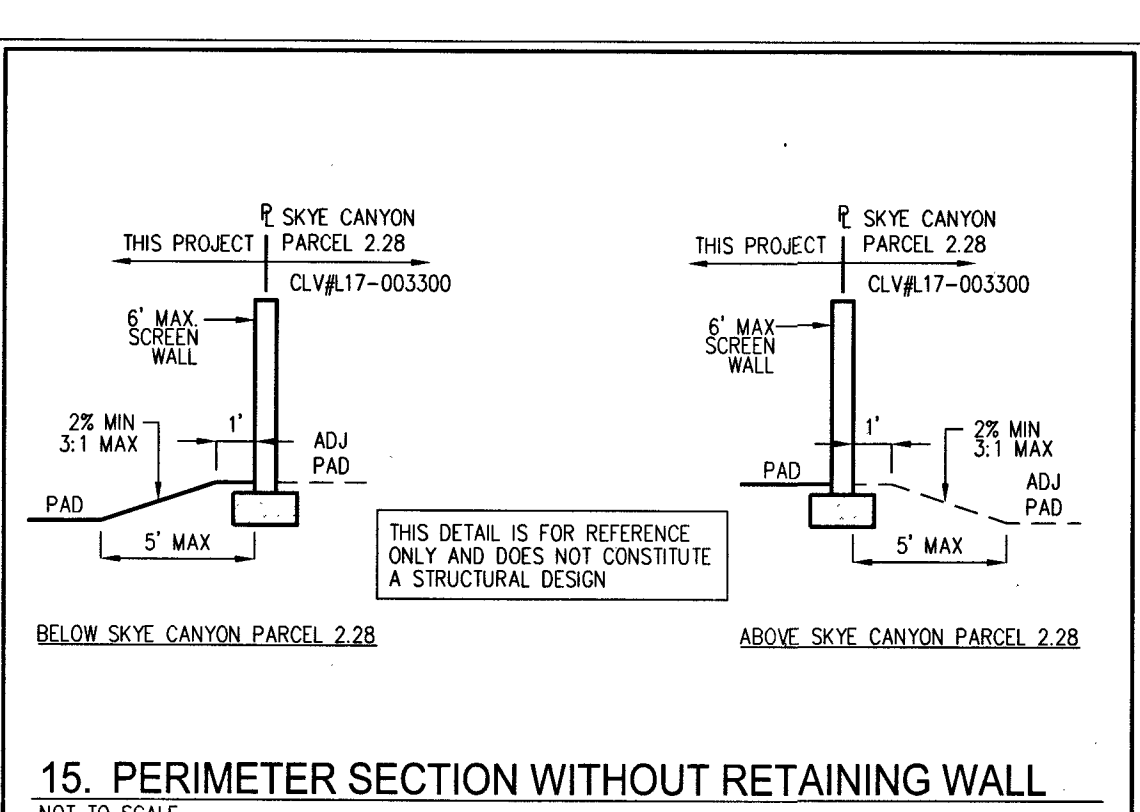
19. ROUGH GRADE ABOVE EX STREET W/ RET WALL
NOT TO SCALE



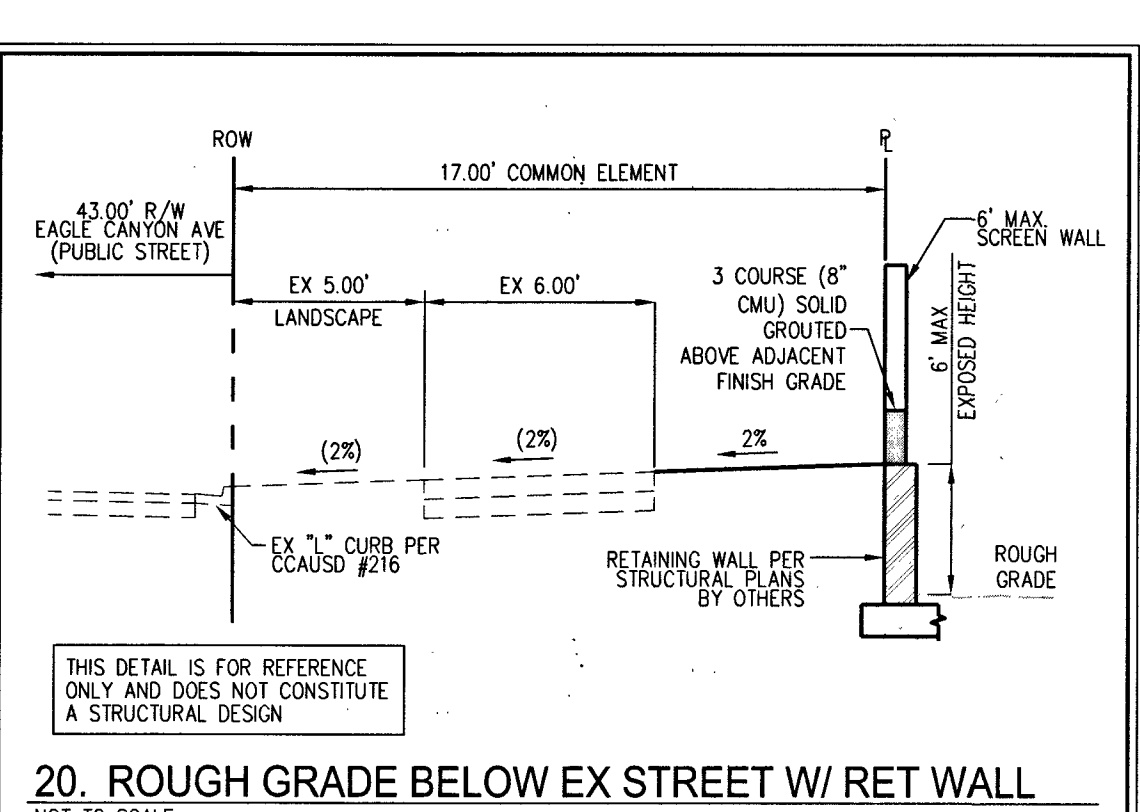
5. REAR YARD WITH SCARP
NOT TO SCALE



10. PERIMETER SECTION - PAD ABOVE EX STREET WITH RETAINING WALL
NOT TO SCALE



15. PERIMETER SECTION WITHOUT RETAINING WALL
NOT TO SCALE



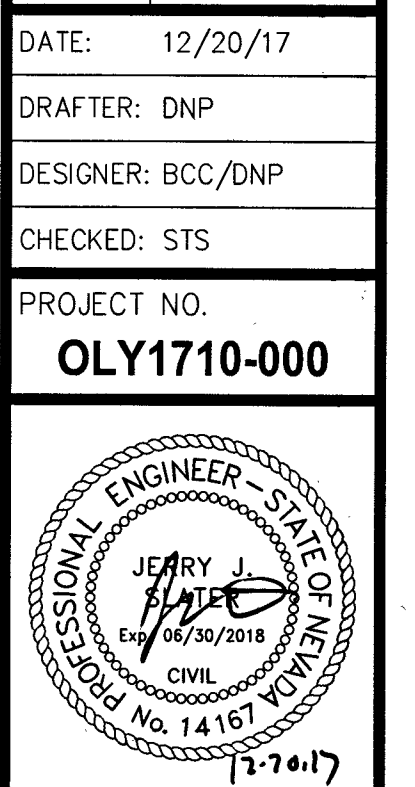
20. ROUGH GRADE BELOW EX STREET W/ RET WALL
NOT TO SCALE

DATE	BY	APP	DATE

NO.	DESCRIPTION

CITY OF LAS VEGAS, NV
GREYSTONE NEVADA, LLC
SKYE CANYON II PARCEL 2.29 PHASE 1
GRADING SECTIONS AND DETAILS

DATE: 12/20/17
DRAFTER: DNP
DESIGNER: BCC/DNP
CHECKED: STS
PROJECT NO. OLY1710-000



17-00858