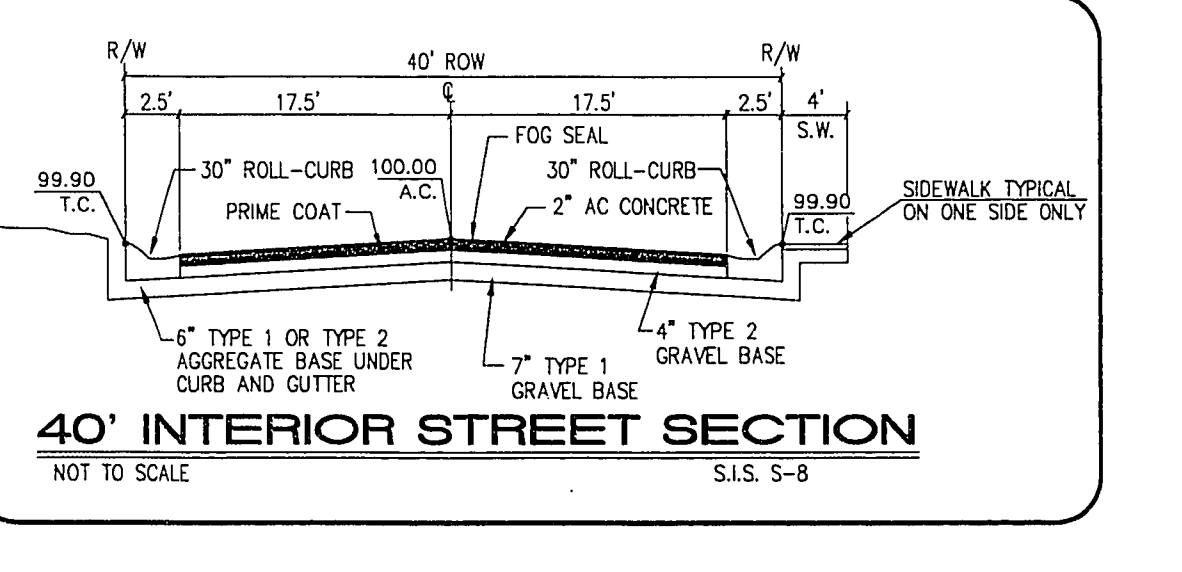
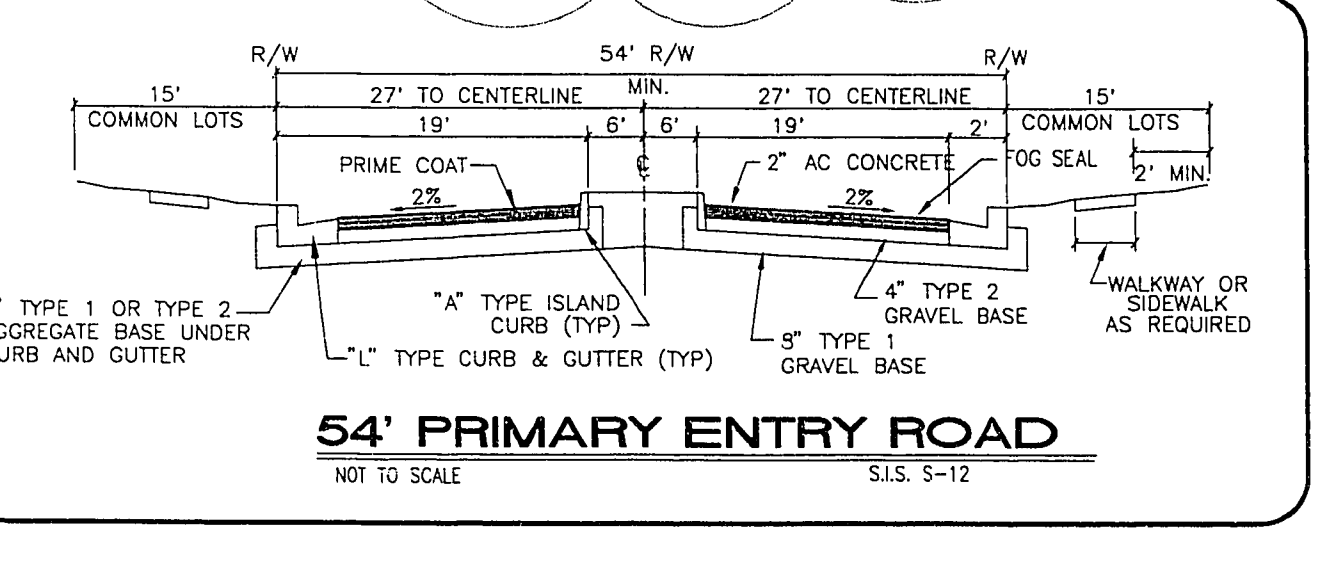
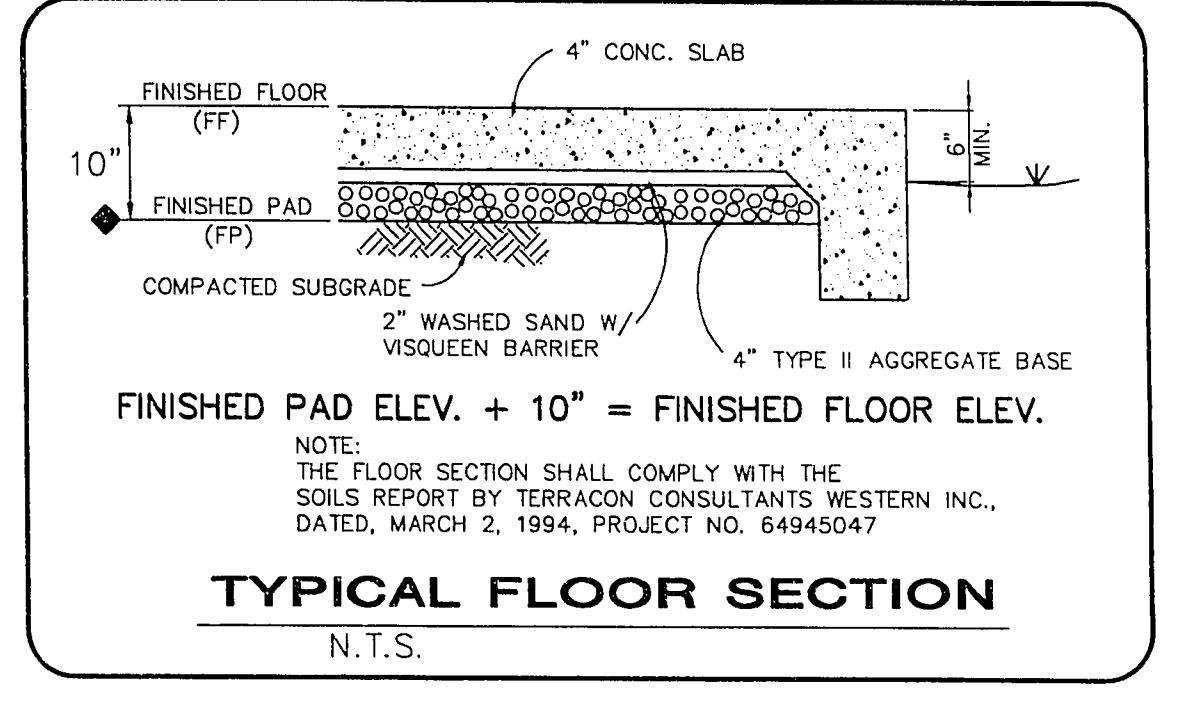
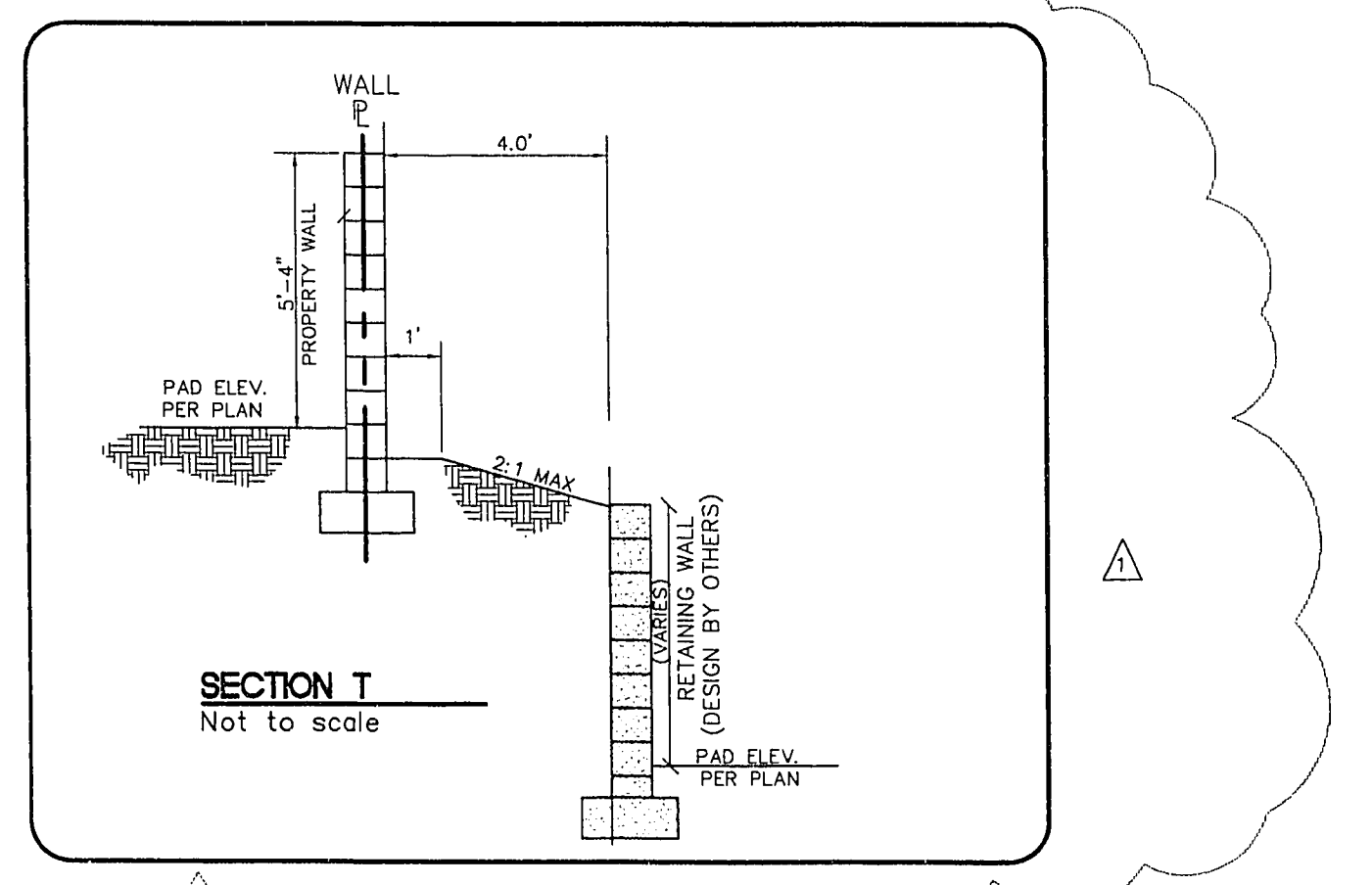
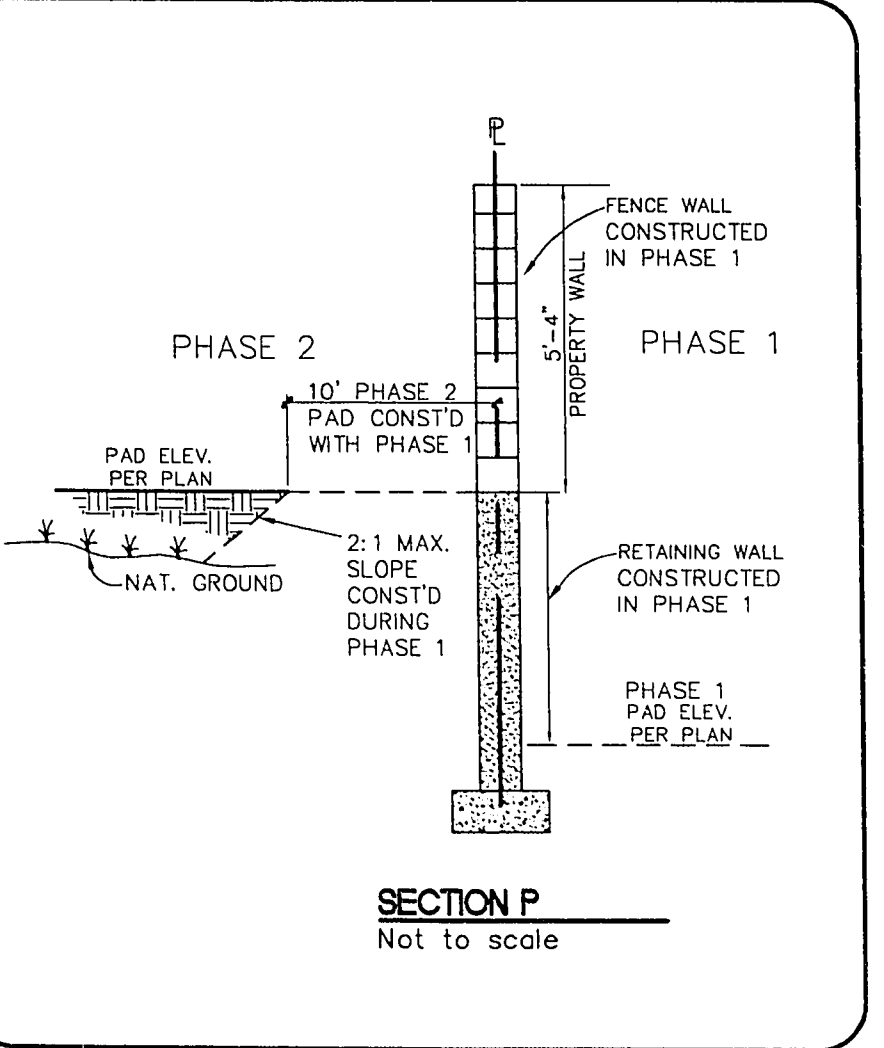
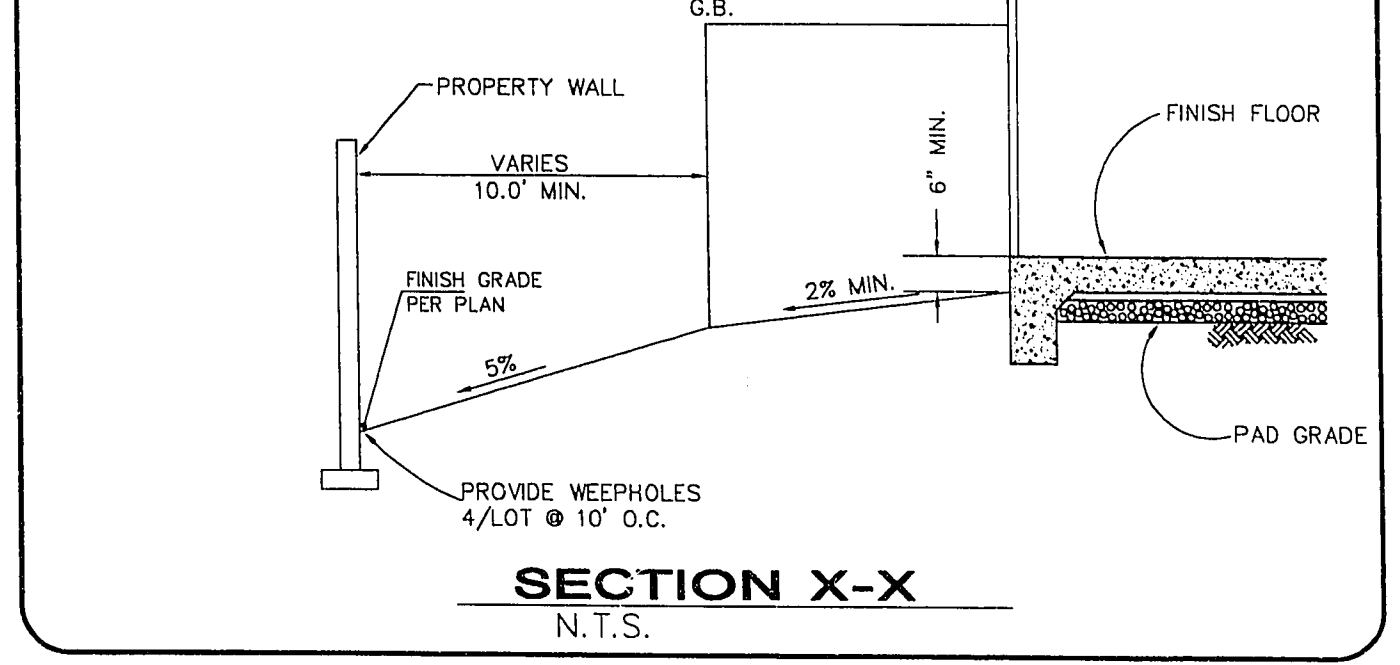
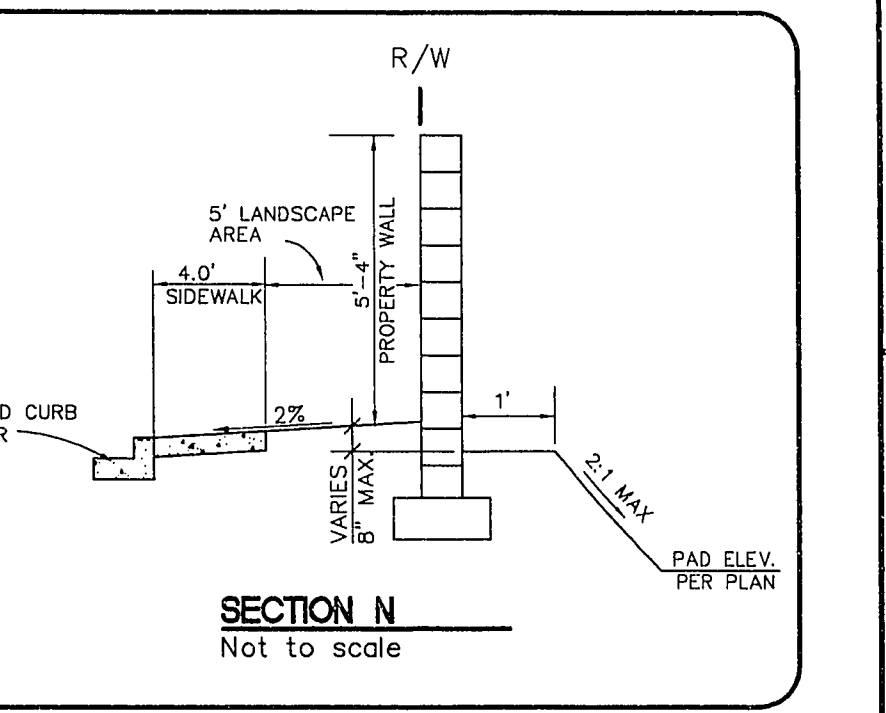
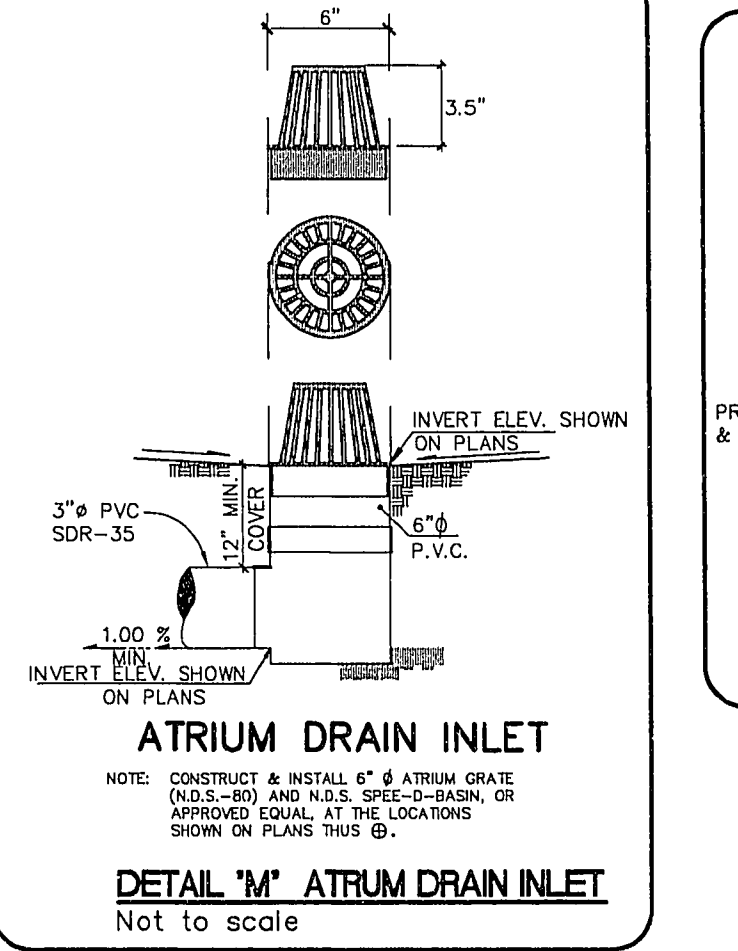
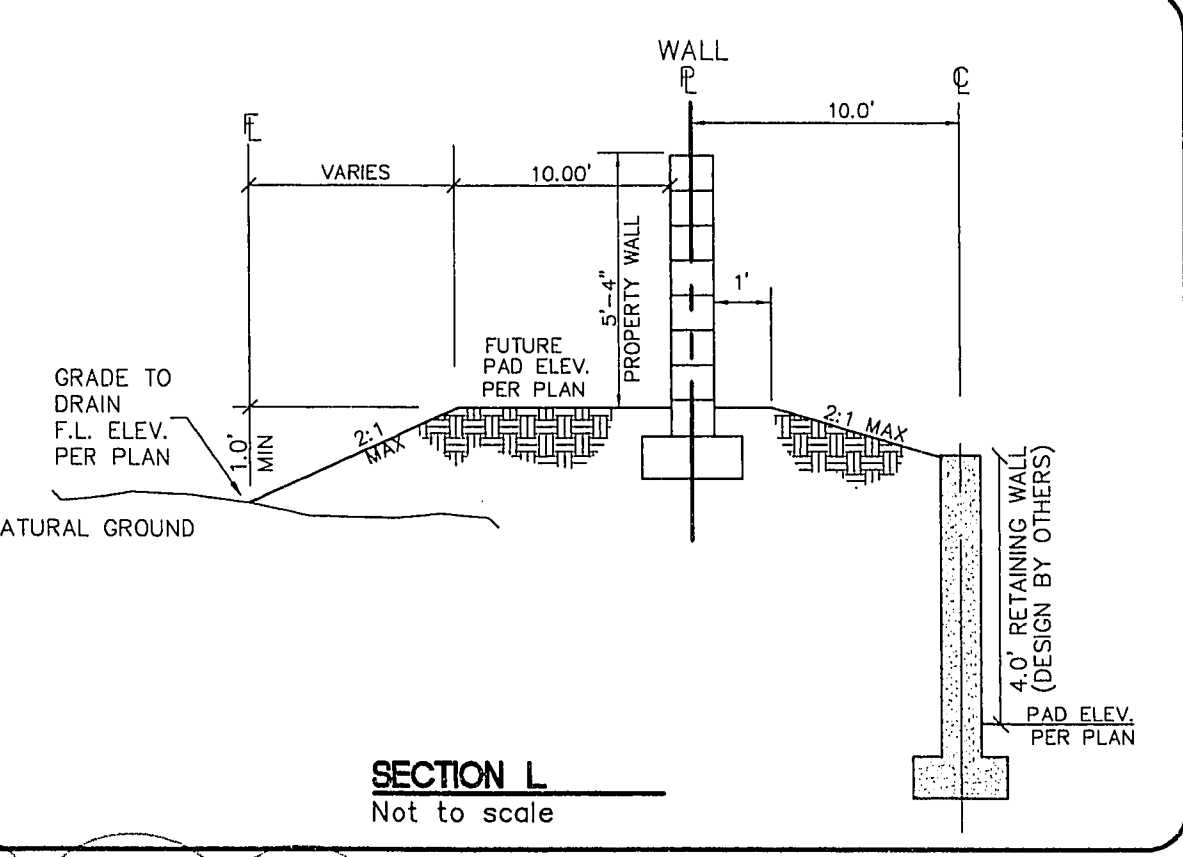
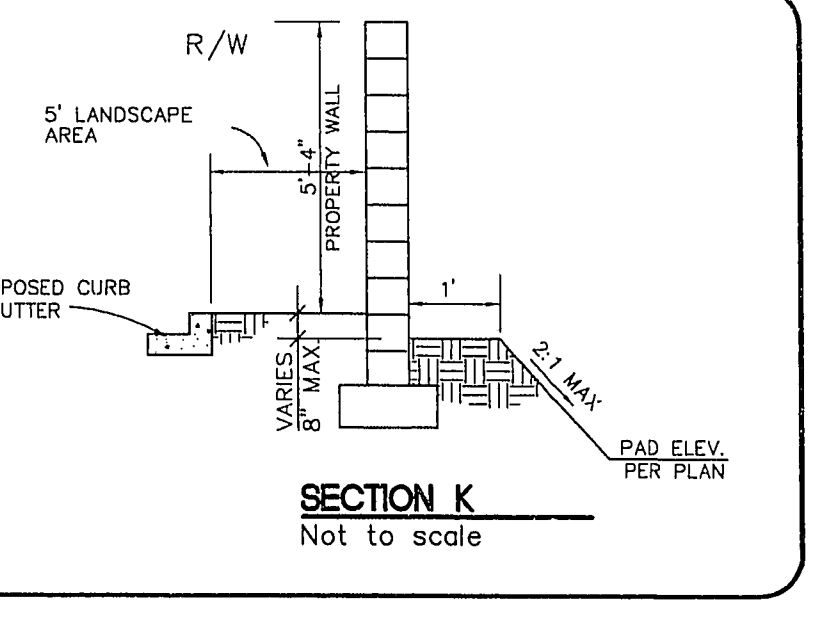
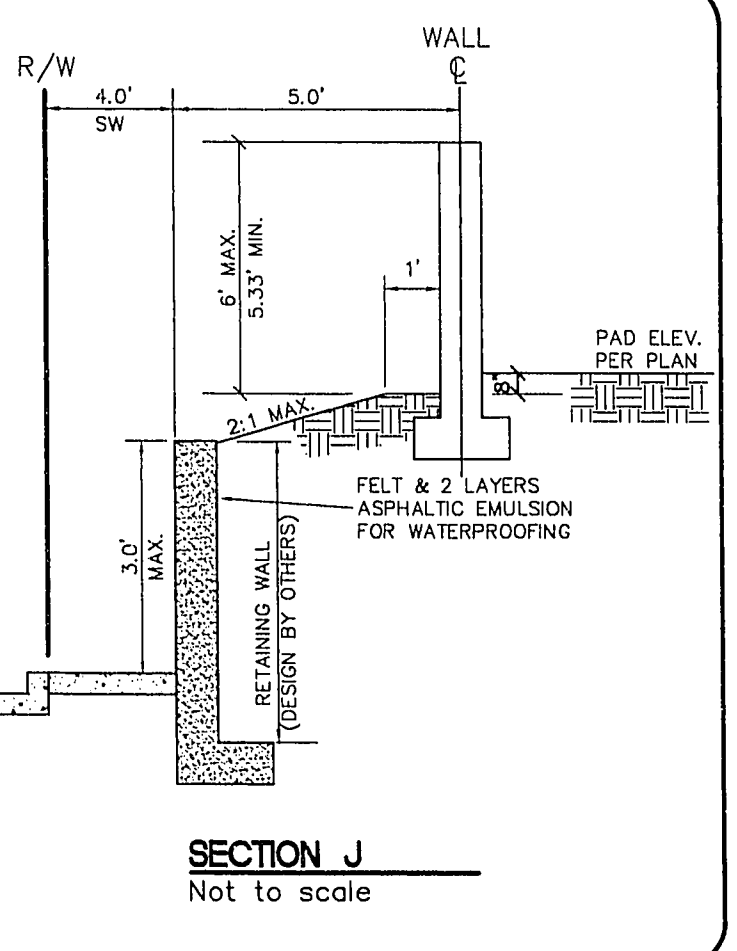
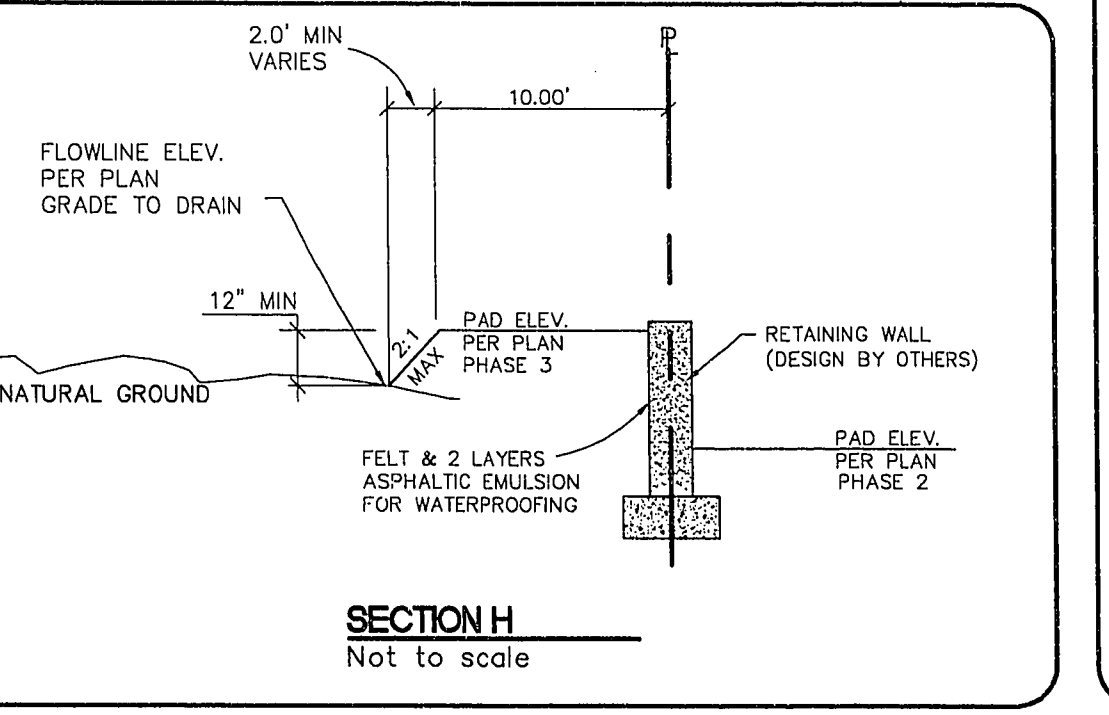
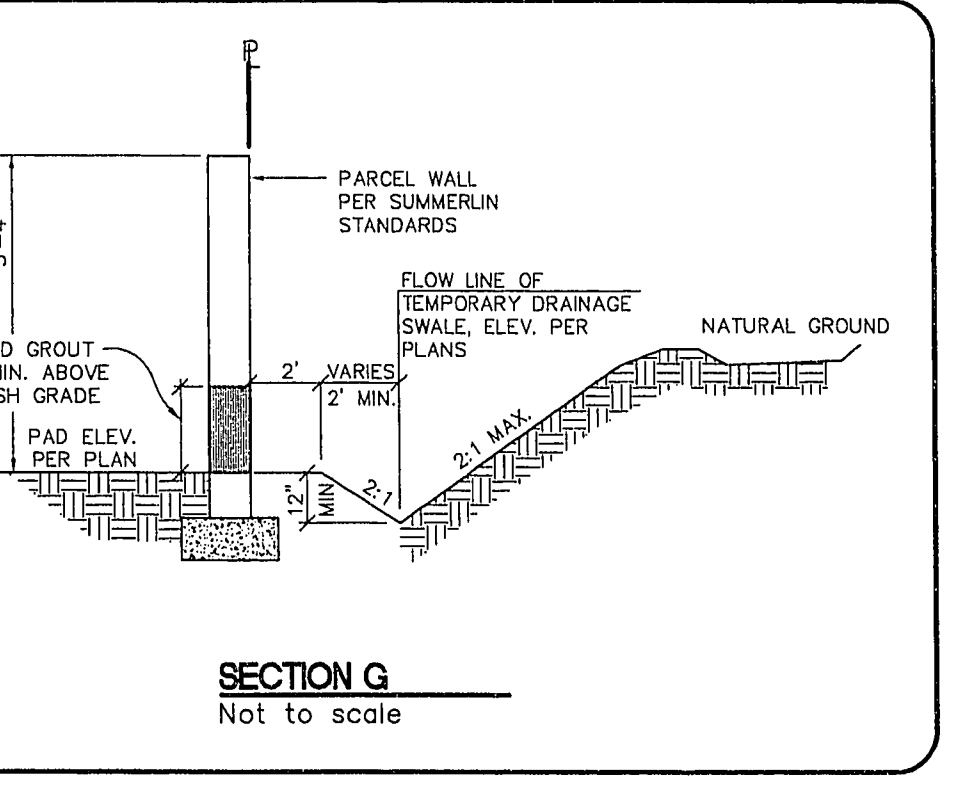
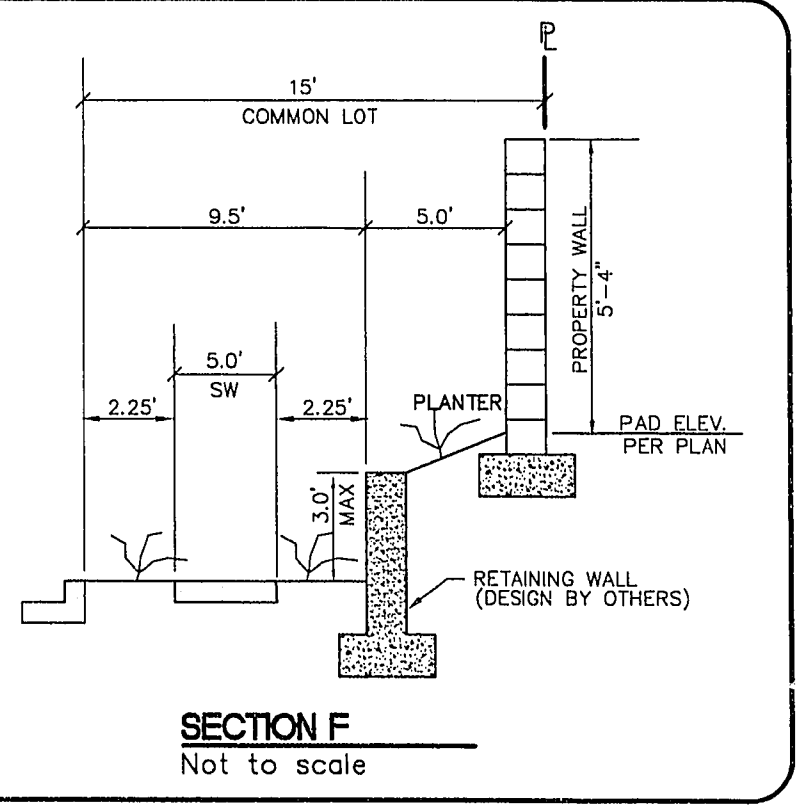
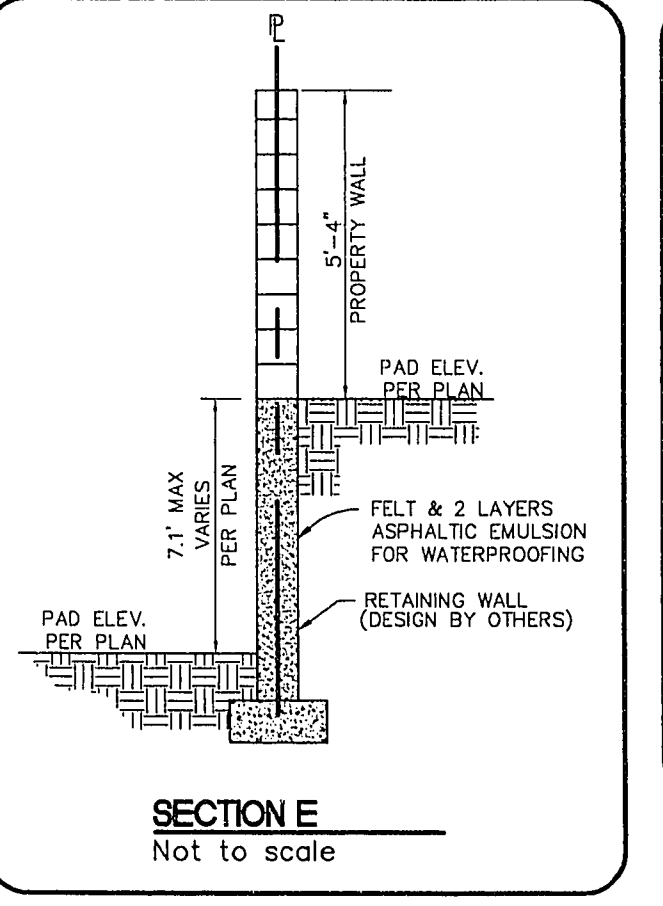
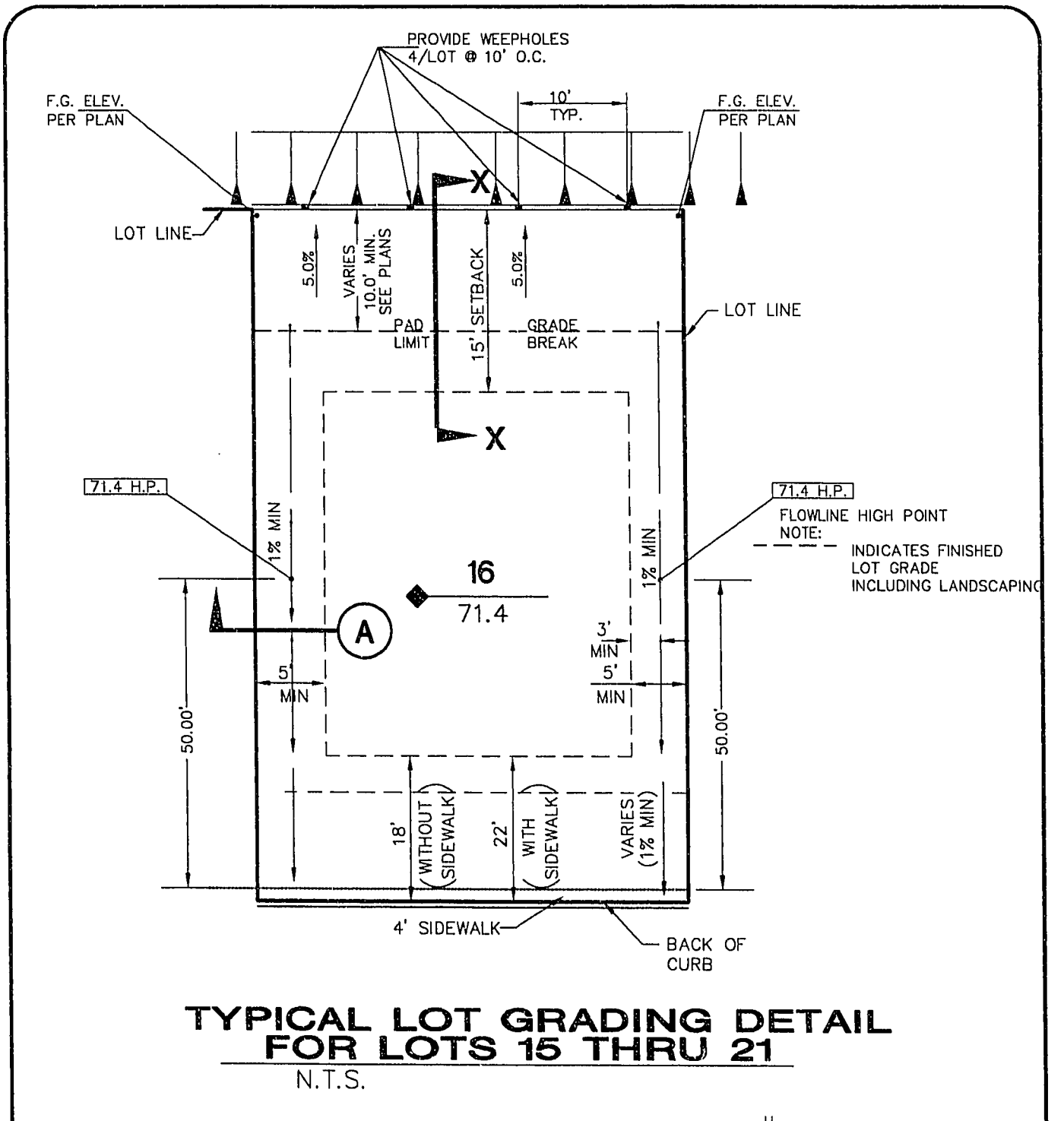
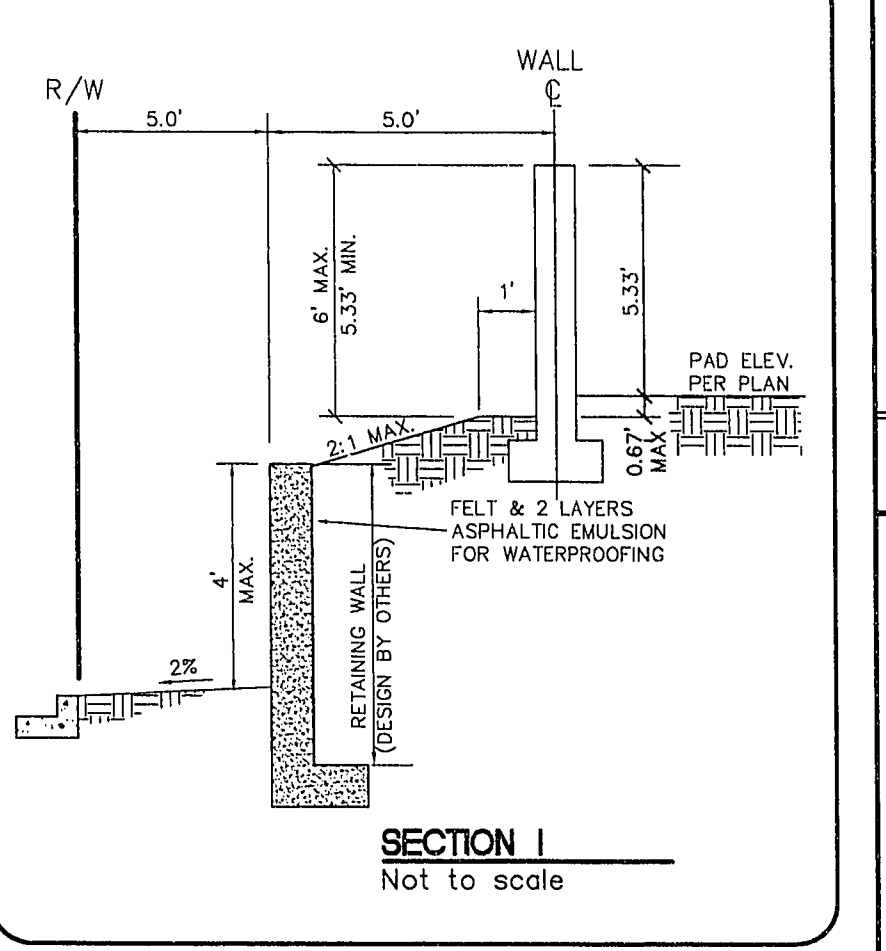
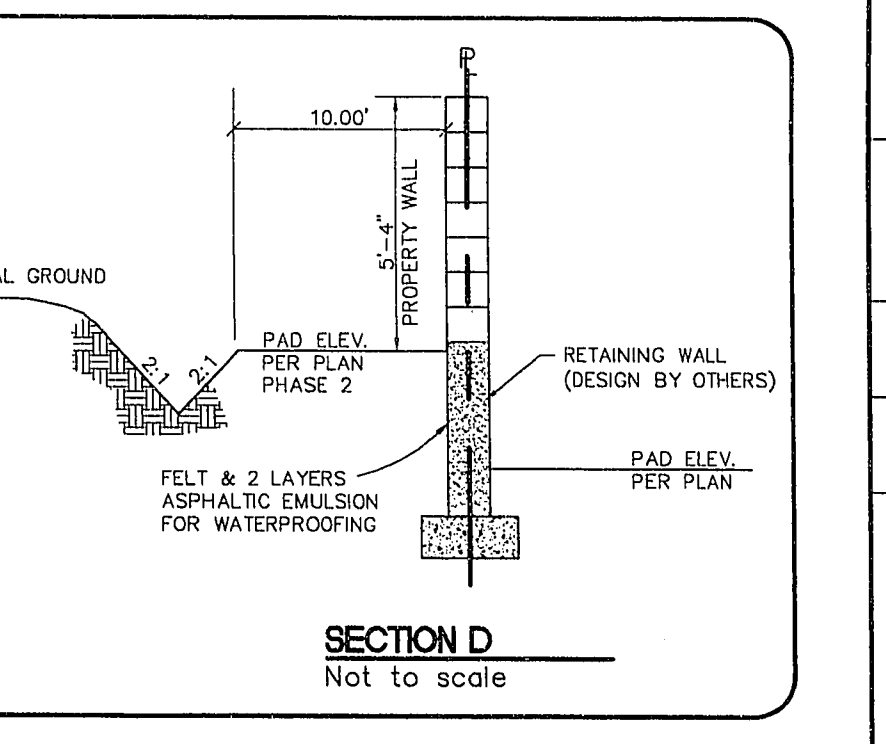
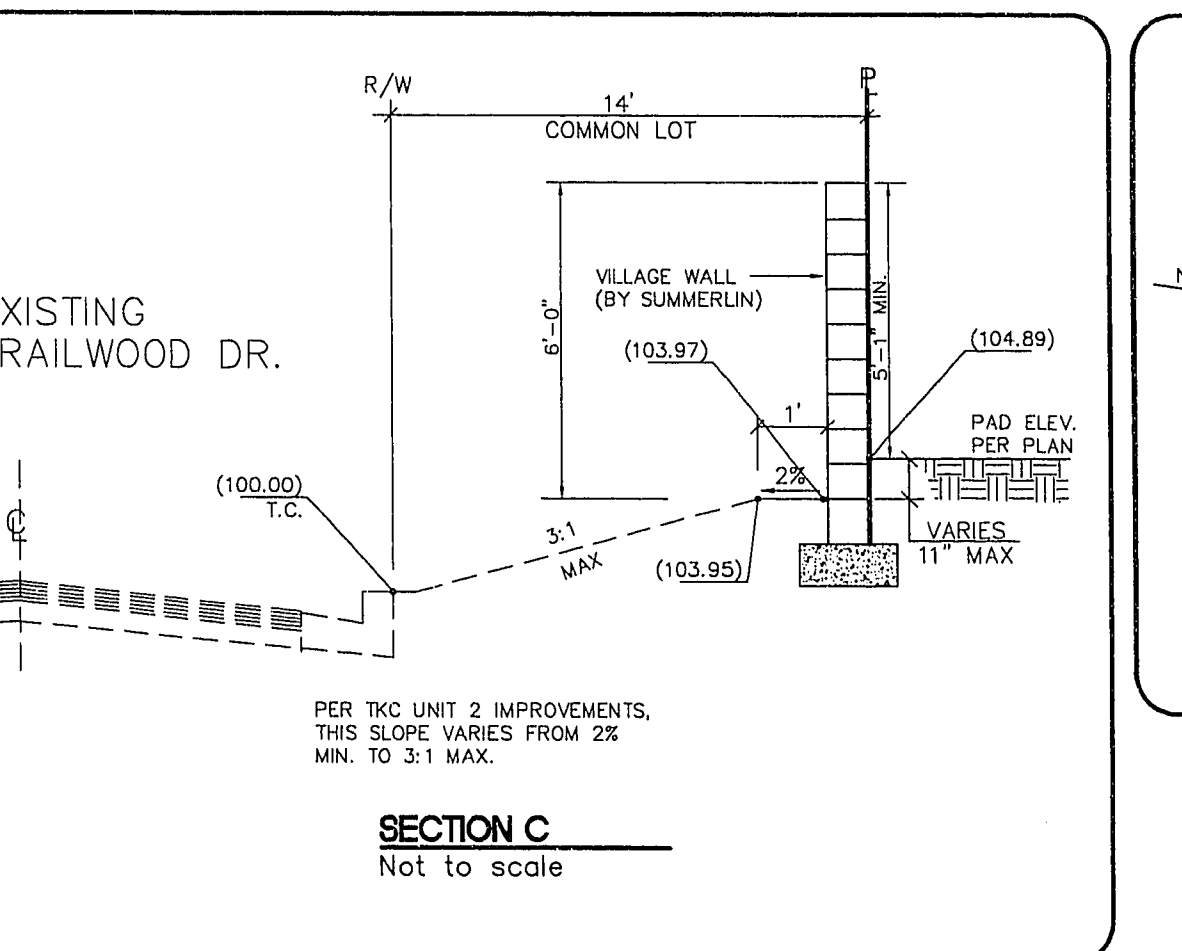
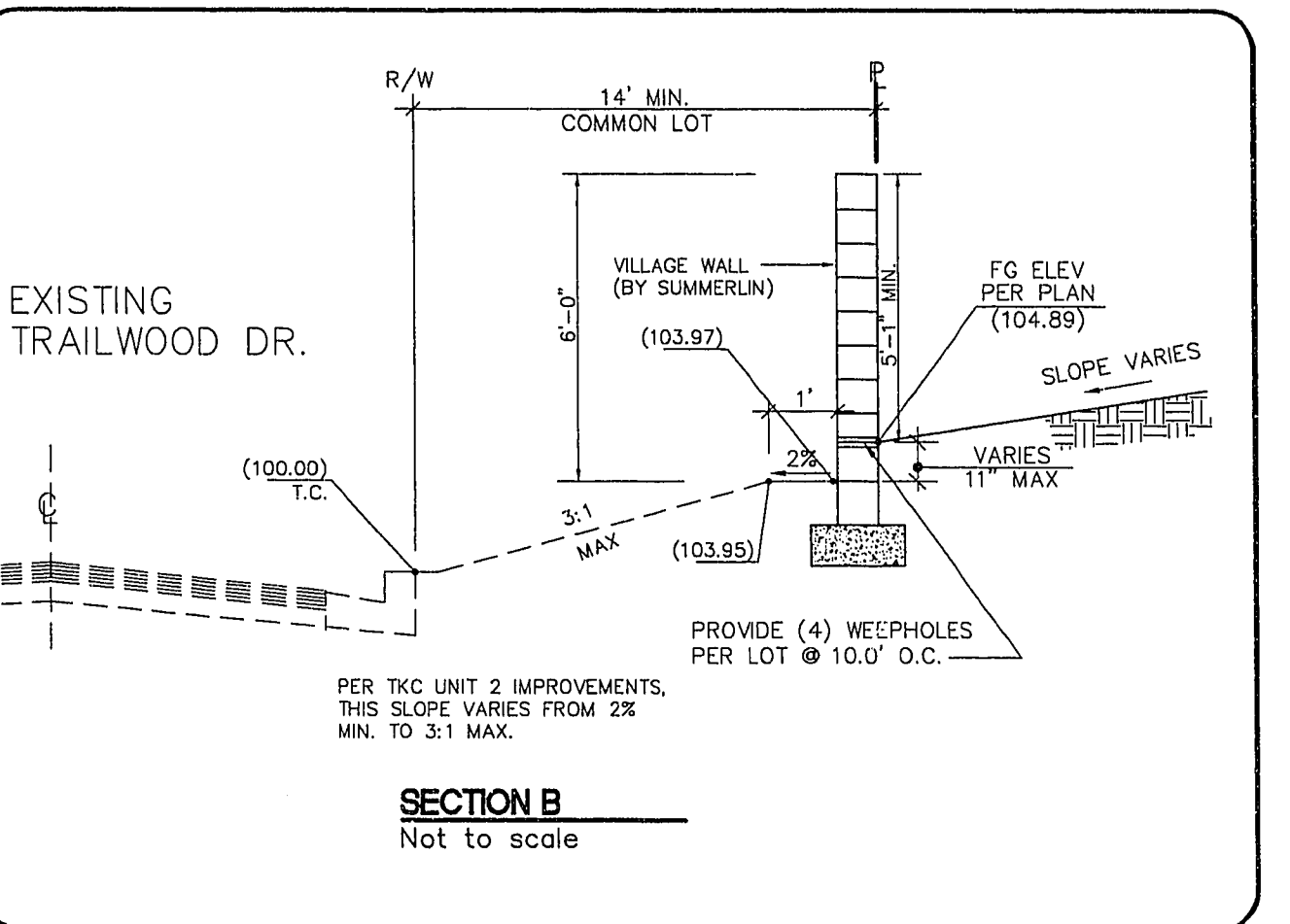
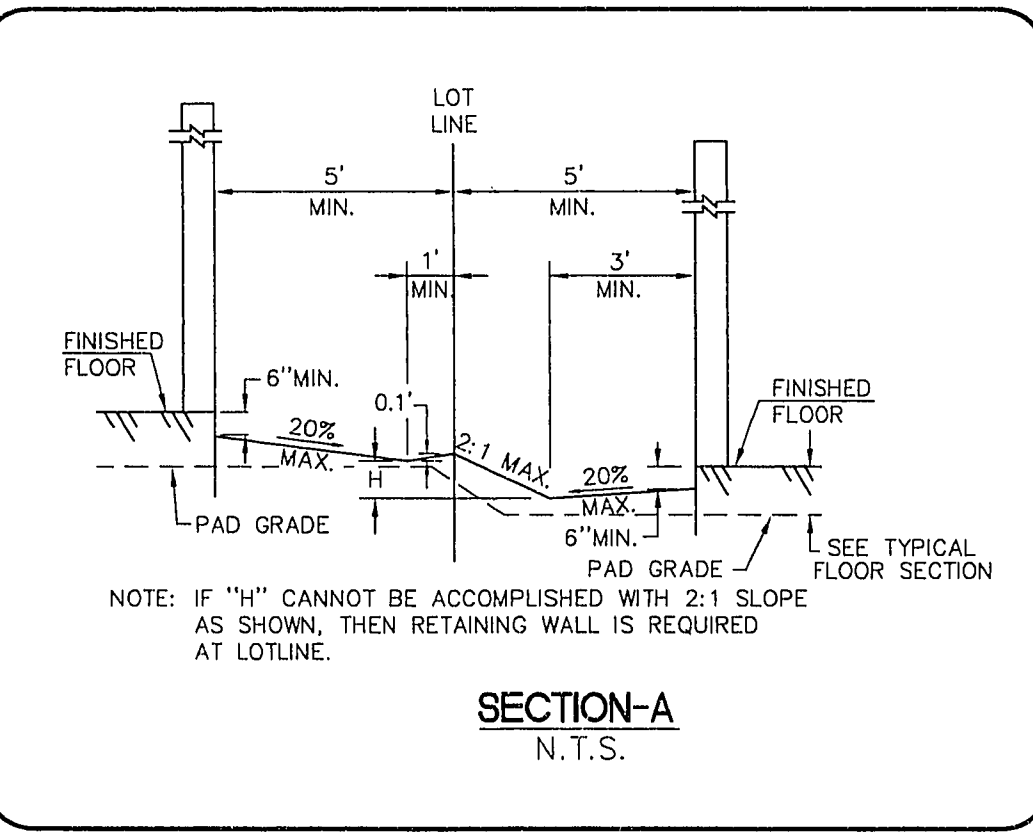
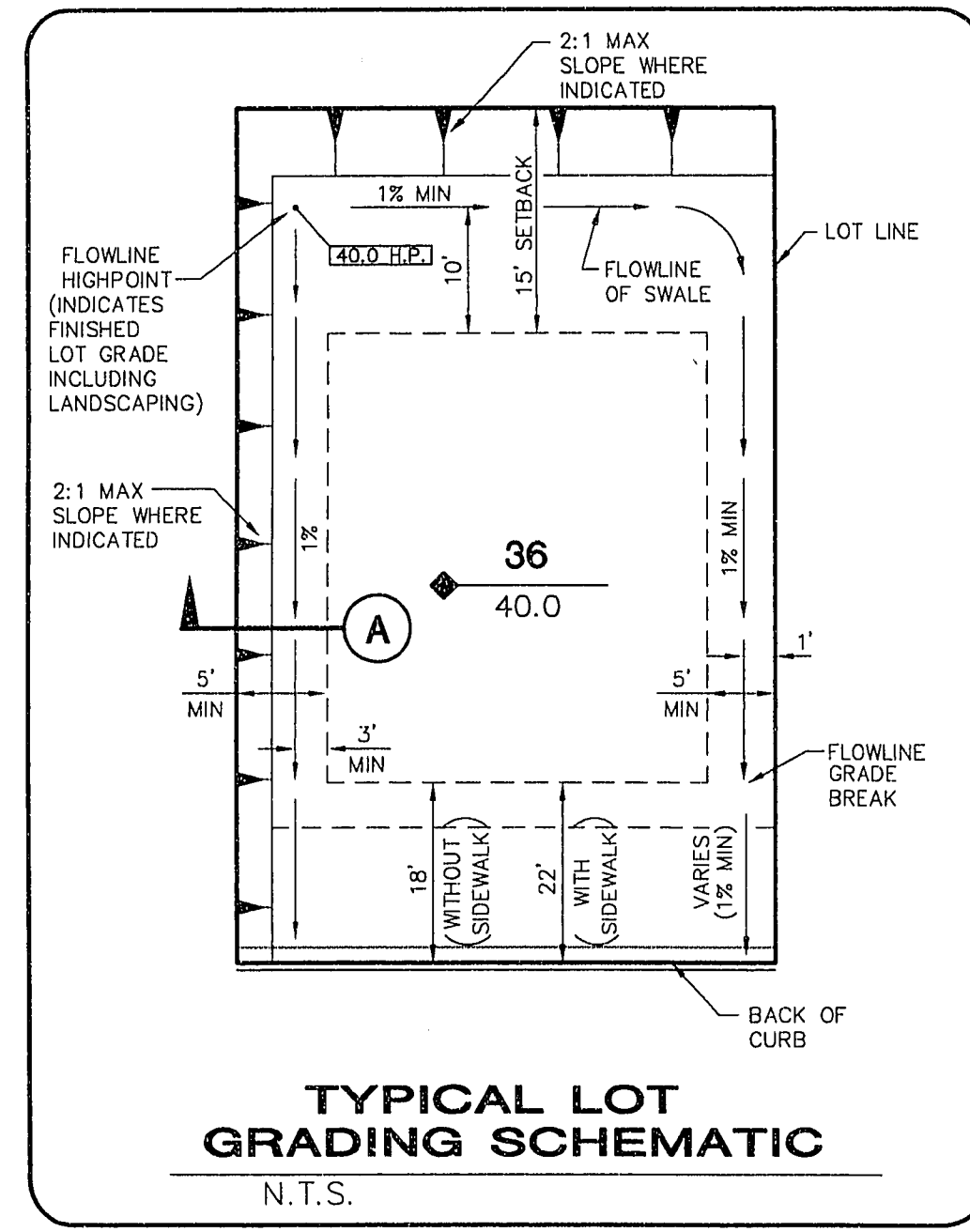
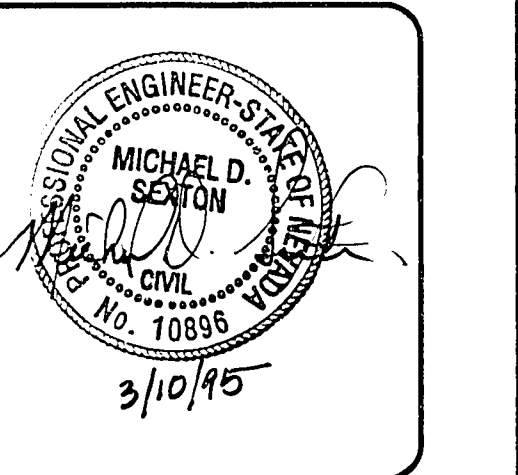


Call before you Dig
1-800-227-2600



NOTE:
ALL WALLS IN THIS SET OF IMPROVEMENT PLANS ARE THE DEVELOPERS RESPONSIBILITY FOR CONSTRUCTION EXCEPT THE VILLAGE WALLS AS INDICATED IN SECTIONS "B" AND "C". ALL EXPOSED SURFACES OF RETAINING WALLS (DESIGNED BY OTHERS) AND SURFACE TREATMENTS MUST COMPLY WITH THE REQUIREMENTS OF THE "TRAILS DESIGN CRITERIA".
"TRAILS AT SUMMERLIN RESIDENTIAL DESIGN CRITERIA"



Job Number	7089.626	Scale	As Shown
Sheet Number	9 OF 10	Drawn by	M.R.J.
Checked by		Date	SEPT. 23, 1994
File No.	626IMP	Plot Date:	
PHASE TWO DETAIL SHEET			
REVISIONS			
No.		Date	
1	ADDED CROSS SECTION "T"	3/10/95	RB
2			
3			
4			
5			
6			
7			
8			
9			
10			
11			
12			
13			
14			
15			
16			
17			
18			
19			
20			
21			
22			
23			
24			
25			
26			
27			
28			
29			
30			
31			
32			
33			
34			
35			
36			
37			
38			
39			
40			
41			
42			
43			
44			
45			
46			
47			
48			
49			
50			
51			
52			
53			
54			
55			
56			
57			
58			
59			
60			
61			
62			
63			
64			
65			
66			
67			
68			
69			
70			
71			
72			
73			
74			
75			
76			
77			
78			
79			
80			
81			
82			
83			
84			
85			
86			
87			
88			
89			
90			
91			
92			
93			
94			
95			
96			
97			
98			
99			
100			