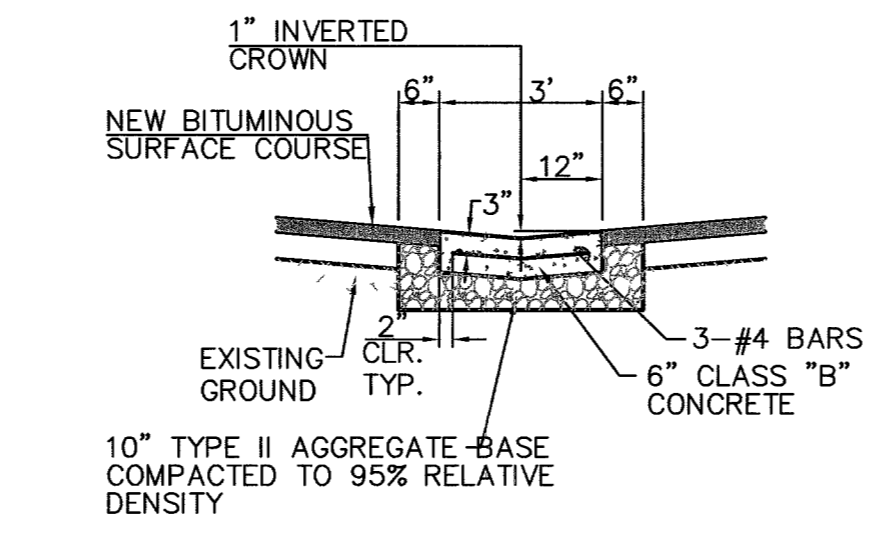
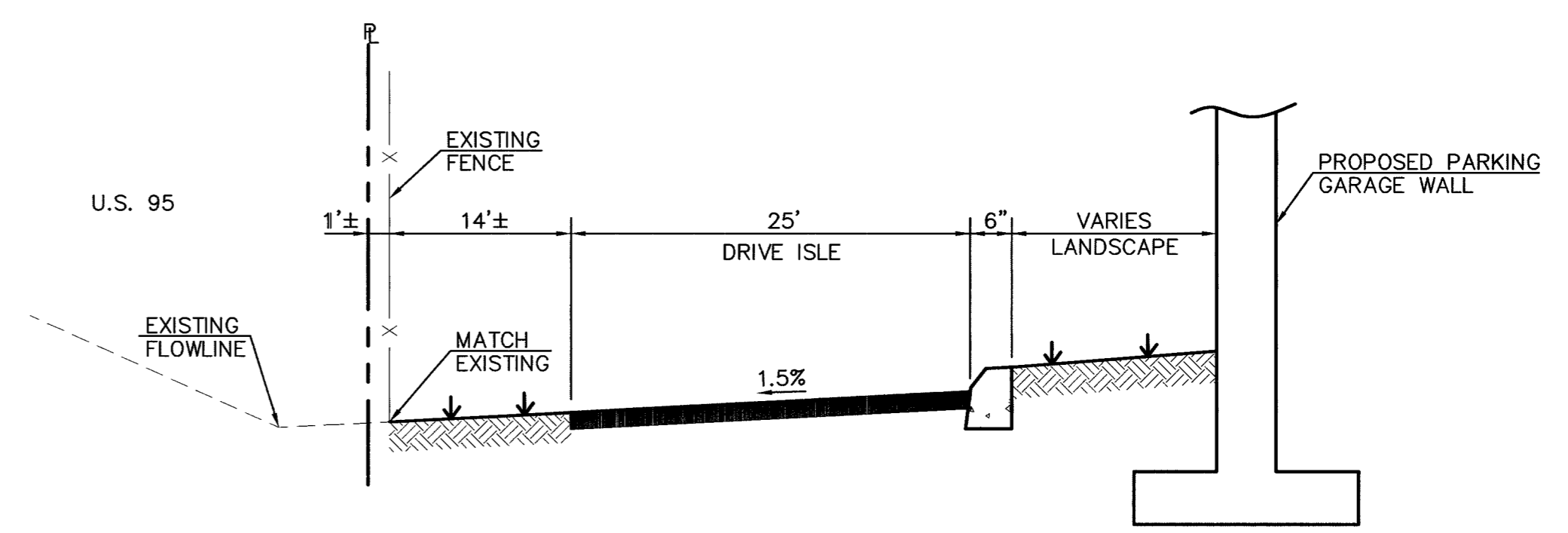


Date: October 13, 2005 - 10:06am / User: Terry Ortiz
 Path: C:\Users\TSA\Documents\Projects\PHASE1\TDS\CADD\5450001.dwg / Plot: 5450001B
 This document, together with the concepts and designs presented herein, is intended only for the specific purpose and client for which it was prepared. Reuse of any improper reuse on this document without written authorization and approval by Kimley-Horn and Associates, Inc. shall be without liability to Kimley-Horn and Associates, Inc.



3' VALLEY GUTTER DETAIL
 N.T.S.



SECTION A - WEST PROPERTY LINE
 N.T.S.

REV	DATE	BY

STATION CASINOS, INC.
 3311 MEADE AVENUE
 LAS VEGAS, NEVADA 89102-7803

Kimley-Horn and Associates, Inc.
 Engineering, Planning, and Environmental Consultants
 1050 East Flamingo Road
 Las Vegas, Nevada 89119
 Tel No (702) 734-6666
 Fax No. (702) 735-4949

DETAIL SHEET
SANTA FE STATION
CASINO EXPANSION & GARAGE
PHASE I

DRAWN BY:	AJO	10/13/05
DESIGNED BY:	JRW	10/13/05
CHECKED BY:	JRW	10/13/05
PROJECT NO.:	092545000	SCALE: N/A

JON R. WAKENHUS
 CIVIL ENGINEER
 Exp. 06/30/06

SAFETY ALERT
 Call Before You Overhead
 1-702-593-6111

Avoid cutting underground utility lines. It's costly.
Call before you Dig
 1-800-227-2600

SHEET
C4.1
 8 OF 9 SHEETS
 CLV No.
107V3371-N-1