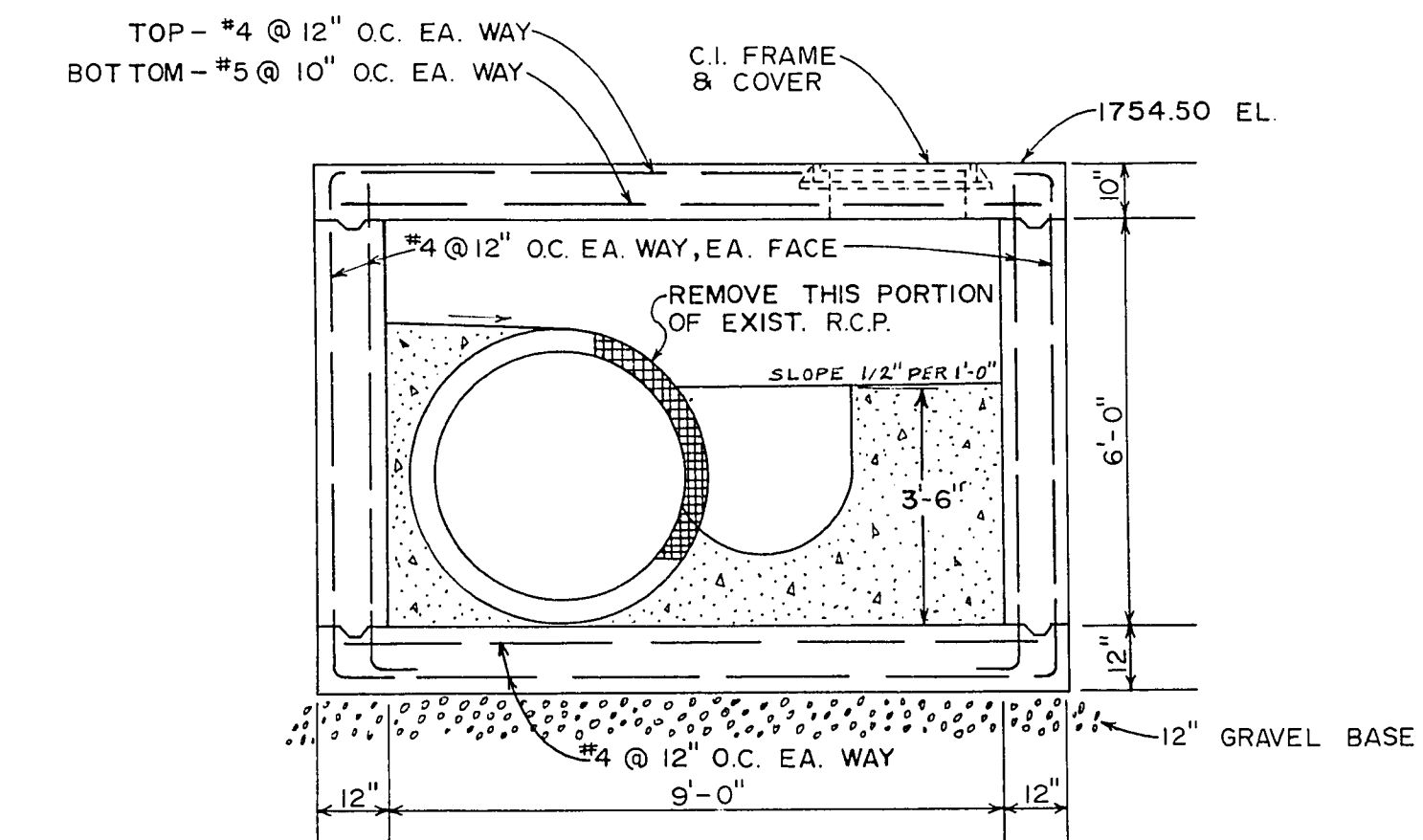
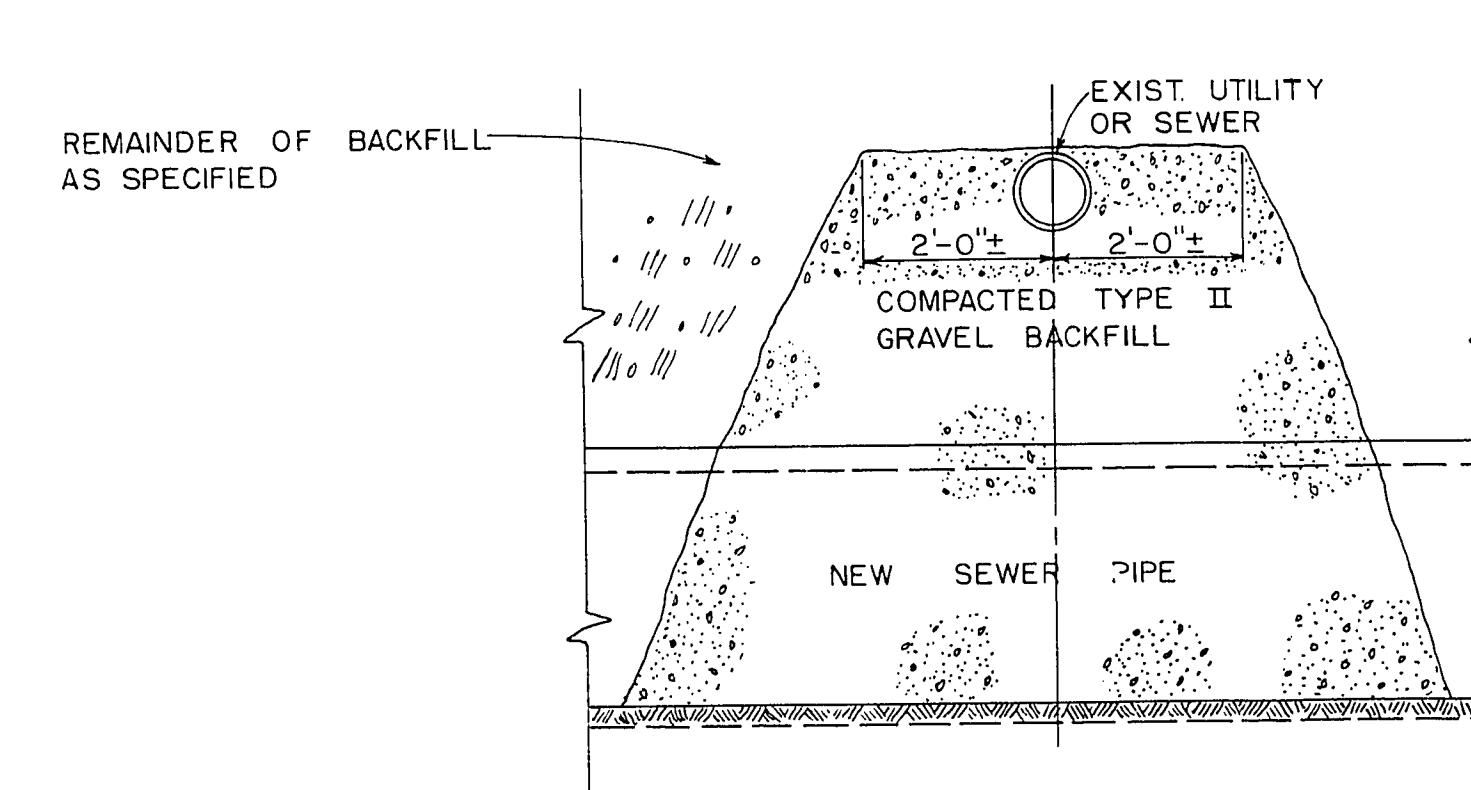


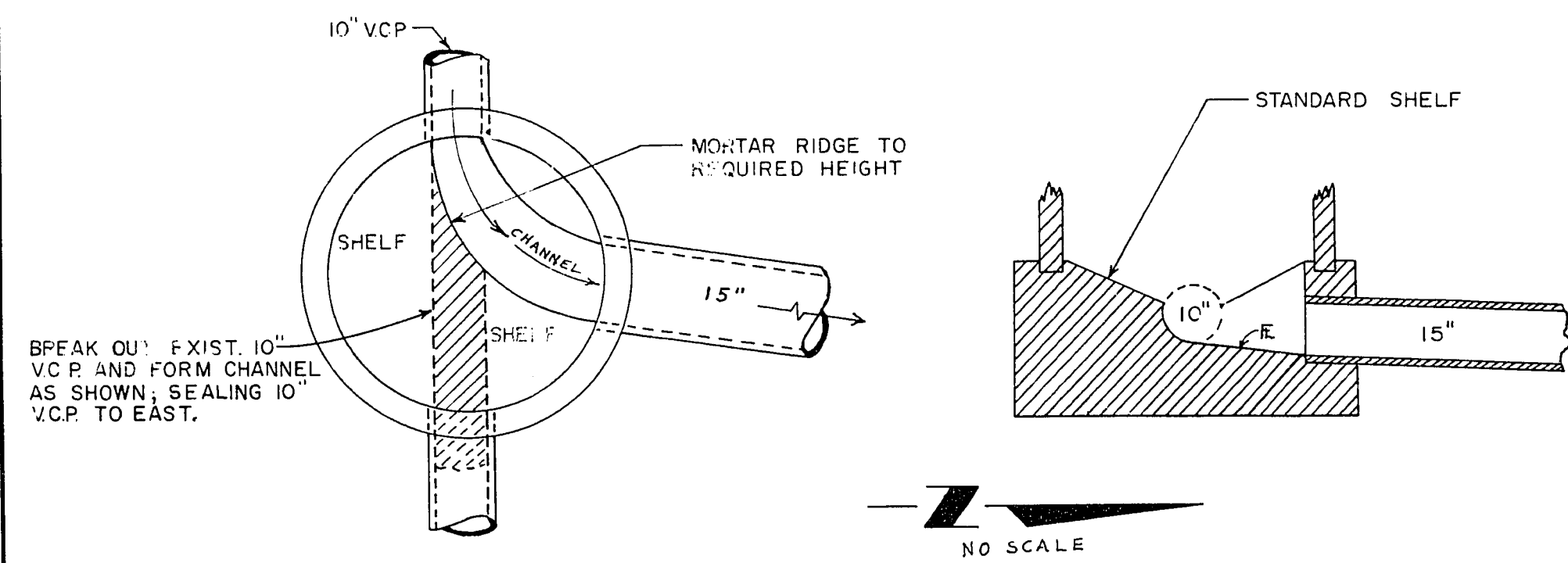
PLAN - JUNCTION BOX NO. 2 STA. 100+54.93



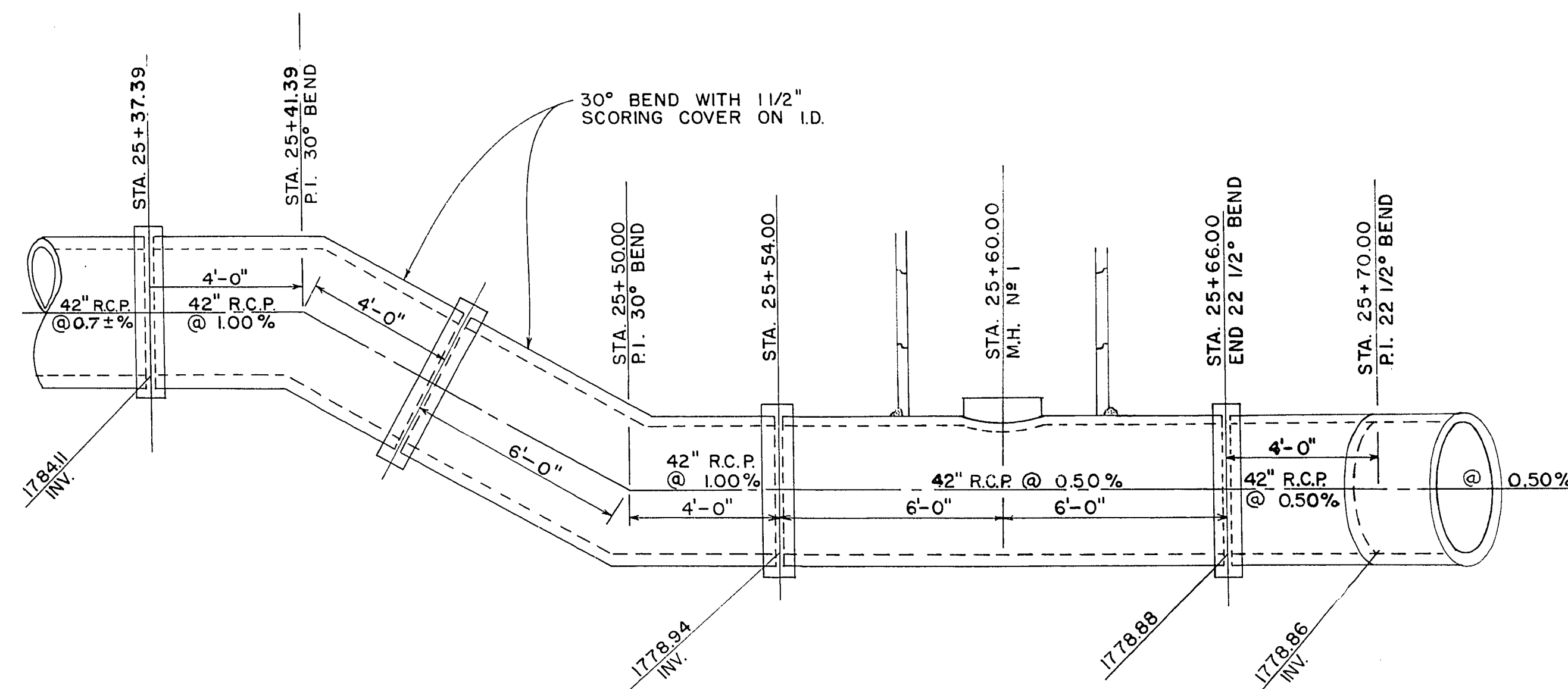
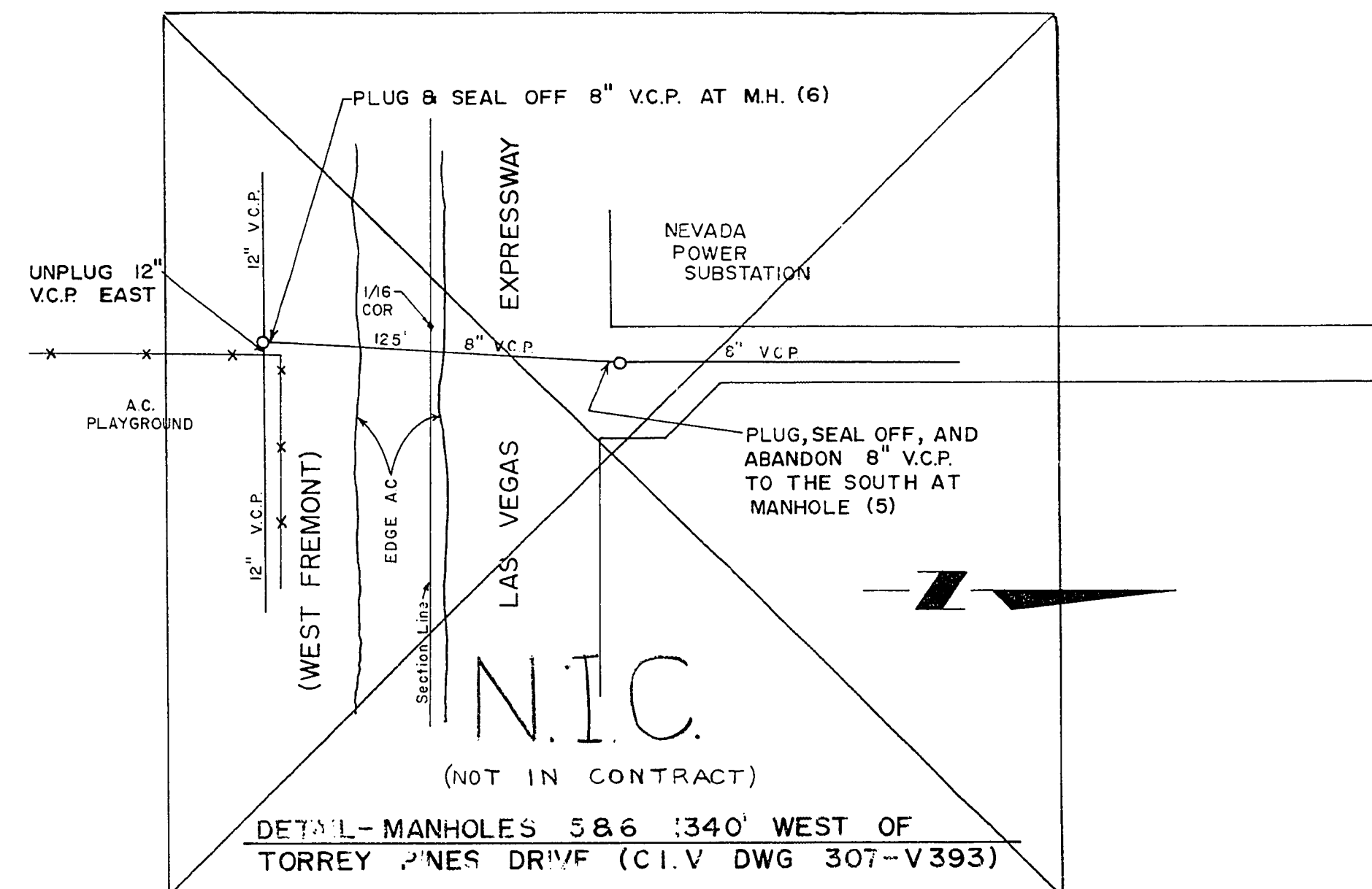
SECTION A-A



BACKFILL UNDER UTILITIES



MANHOLE 10 WASHINGTON AVE SEWER DIVERSION  
780± EAST OF DECATUR AVE (C.L.V. DWG 307-V428A)



DETAIL STA. 25+41.39 to STA. 25+70.00  
NO SCALE

CONTRACT DRAWING

I CERTIFY THAT THIS PLAN WAS PREPARED UNDER MY SUPERVISION

*[Signature]*

DATE 2-24-72

72.63 BID NO. <del>72-13</del>		CONTRACT <del>NO. 913</del>	
<b>CITY OF LAS VEGAS NEVADA</b> DEPARTMENT OF PUBLIC WORKS SERVICES DIVISION			
<b>SANDHILL INTERCEPTOR</b> WASHINGTON (ON SANDHILL) TO CHARLESTON (1/5 MILE WEST OF LAMB)			
W.O. NO. 3170	F.B. NO. 70-3X	DATE	DRAWING NO.
SC. (N) NONE	SC. (V) NONE		
DES. DAVE McGOONBLE		3-7-72	FILE NO.
DR. MARK GARLAND			307 - V445
APPROVED BY DIRECTOR OF PUBLIC WORKS		3-24-72	SHEET 7 OF 30

20-1-96