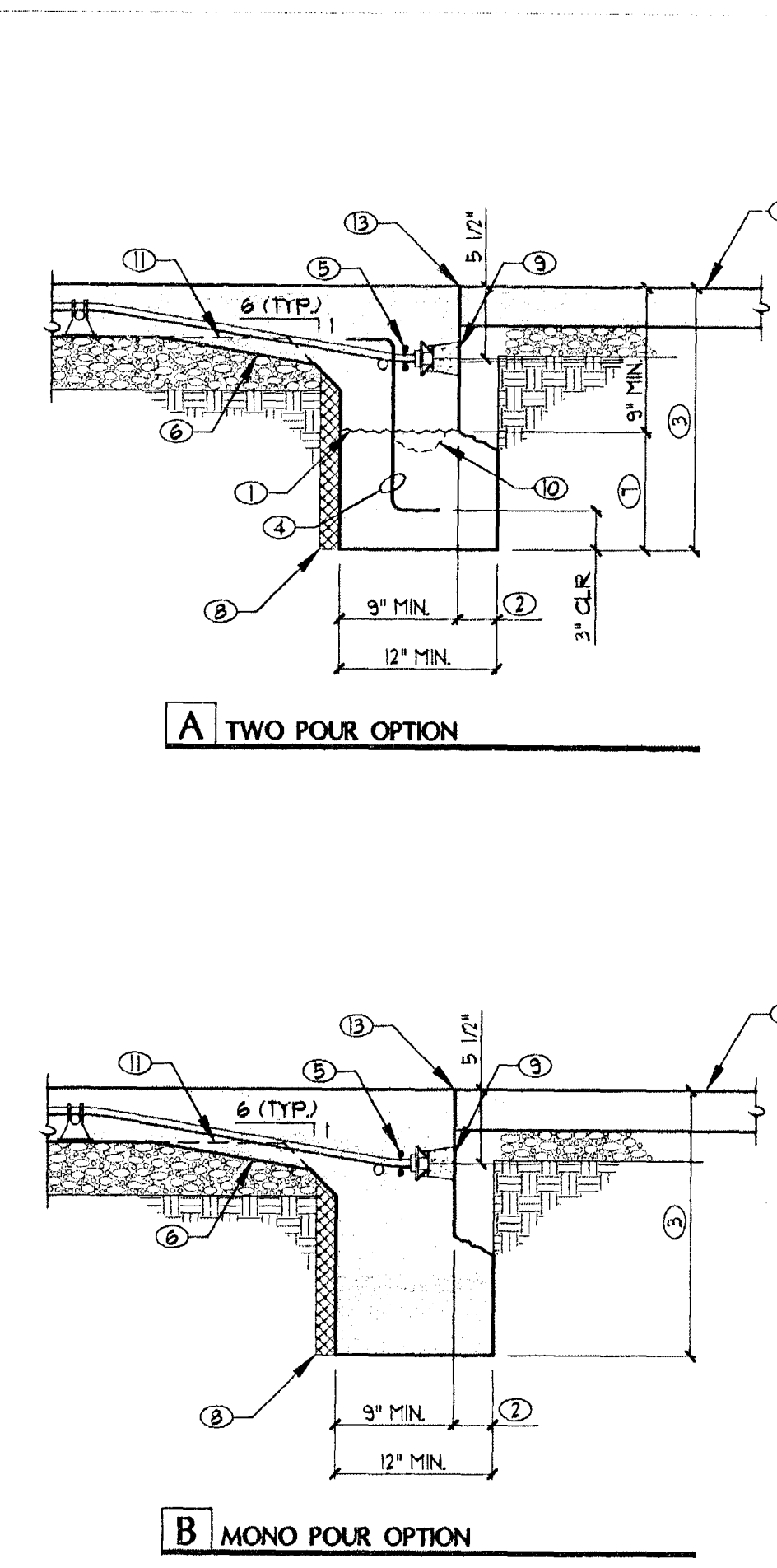


A CONCENTRIC FOOTING

B ECCENTRIC FOOTING
FOR USE AT PROPERTY LINES AND AT EXISTING WALLS

- | MAX. WALL HEIGHT | VERT. REIN. |
|------------------|----------------|
| 6'-0" | #4 AT 48" O.C. |
| 8'-0" | #4 AT 36" O.C. |
- 4 CONT.
 - 4 CONT. IN 8" MIN. BOND BEAM. PROVIDE 2" MIN. GROUT COVER ALL AROUND
 - ALTERNATE BENDS
 - NATURAL GRADE OR COMPACTED SUBGRADE
 - (2) #4 CONT.
 - 2'-0" MIN. AT 6'-0" MAX. WALL
2'-4" MIN. AT 8'-0" MAX. WALL

- A. SEE G.S.N. FOR ADDITIONAL REQUIREMENTS AND ITEMS SHOWN BUT NOT NOTED
- B. ALL REBAR LAP LENGTHS PER SCHEDULE, UNO.
- C. FENCE WALL SHALL NOT BE USED AS A FLOOD WALL OR OTHERWISE LOADED UNLESS SPECIFICALLY NOTED.
- D. GROUT WALLS SOLID.
- E. PROVIDE VERTICAL CONTROL JOINTS IN WALLS AT 20'-0" MIN.
- F. AT 4'-0" MAX. WIDE DRAINAGE OPENING AT BOTTOM OF WALL, PROVIDE (2) #5 VERT. BARS IN CELLS ADJACENT TO OPENING AND (1) #5 HORIZ. ABOVE OPENING AND EXTEND 24" MIN. BEYOND EDGE OF OPENING, TYP. WHERE REINFORCEMENT OCCURS AT EXISTING WALL/FOOTING, DRILL AND EPOXY REINFORCEMENT INTO EXISTING w/ SIMPSON SET EPOXY w/ 8" MIN. EMBEDMENT. SPECIAL INSPECTION REQ'D FOR ALL EPOXY INSTALLATIONS.



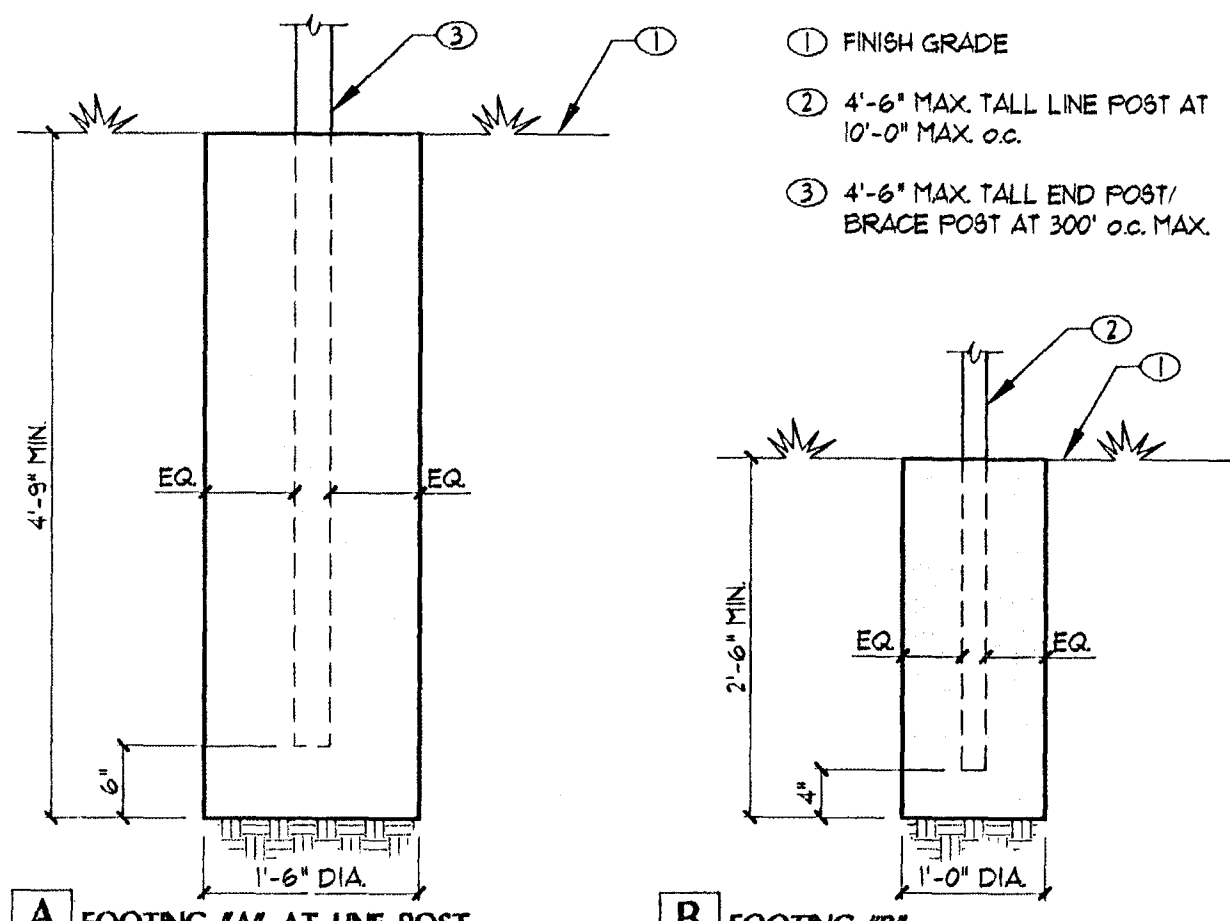
A TWO POUR OPTION

B MONO POUR OPTION

- OPTIONAL FOUR JOINT. ROUGHEN SURFACE TO 1/4" AMPLITUDE
- OPTIONAL OFFSET / WIDENED FOOTING AS REQUIRED FOR FORM STAKE
- MINIMUM EMBEDMENT PER FT FOUNDATION PLAN NOTES
- #4 #10 OR #2 DOUCEL REQUIRED ONLY AT OPTIONAL FOUR JOINT. CENTER AT JOINT. LOCATE (1) BAR WITHIN 18" OF OUTSIDE OF EACH CORNER AND AT 6'-0" O.C. MAX. ELSEWHERE. LOCATE (1) BAR WITHIN 6" EACH SIDE OF HOLD-DOWN. SLOPE DOUCEL SLIGHTLY AS REQ'D. TO CENTER AT FOUR JOINT.
- 3 x 12" HAIRPIN BAR. HOOK AROUND TENDON AT ANCHOR. MAY BE ORIENTED HORIZONTALLY, VERTICALLY, OR DIAGONALLY.
- 6" WIDE TRENCH AT SLOPED TENDON TRANSITION. 1 1/2" MIN. CONCRETE COVER
- 3" MIN. FIRST FOUR
- 2" MIN. VOID FORM. DO NOT USE STYROFOAM
- GROUT POCKET AS OCCURS AT STRESSING END TO PREVENT CORROSION OF ANCHOR
- SCOOP OUT CONCRETE FOR HOLD-DOWN STRAP OR HOLD-DOWN ANCHOR BOLT AS OCCURS WITH MIN. 1" CONCRETE COVER
- LINE OF SLAB BOUND
- NON-STRUCTURAL FLATWORK
- EXPANSION JOINT

111 TYPICAL CMU BLOCK WALL AT PERIMETER
111-080403

110 TYPICAL EDGE OF SLAB
110-080403



A FOOTING 'A' AT LINE POST

B FOOTING 'B' AT END POST AND BRACE POST

112 FOOTING AT CABLE BARRIER FENCES
112-080403

- FINISH GRADE
- 4'-6" MAX. TALL LINE POST AT 10'-0" MAX. O.C.
- 4'-6" MAX. TALL END POST/ BRACE POST AT 300' O.C. MAX.



REVISIONS

CONSULTANT

Cardno WRG

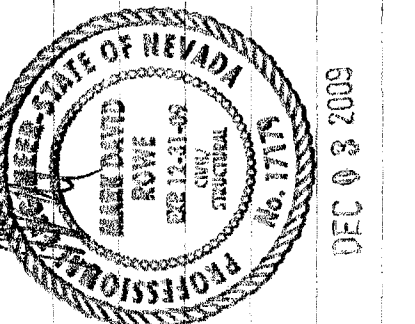
LAS VEGAS

10639 JEFFERYS ST. HENDERSON, NV 89052
TEL: (702) 990-8900 FAX: (702) 990-8805
www.cardnowrg.com

PLANNERS • ENGINEERS • LANDSCAPE ARCHITECTS • SURVEYORS

SANDHILL OWENS PARK & TRAILHEAD
LAS VEGAS, NEVADA

FOUNDATION DETAILS



OWNER: CITY OF LAS VEGAS
DEPARTMENT OF PUBLIC WORKS
CAPITAL PROJECT MANAGEMENT SECTION

400 EAST STEWART AVENUE
LAS VEGAS, NEVADA 89101
PHONE: (702) 229-8535
FAX: (702) 388-8816
TDD: (702) 388-9108

DRAWN	SPS/US
FILE	523-080403-0
DATE	10-15-2009
SCALE	AS NOTED
BID NO.	09-1554-11
CLW DWG NO.	530.104
SHT NO.	

WRIGHT
engineers

100% SUBMITTAL

7428 PEAK DRIVE LAS VEGAS, NEVADA 89128
P 702.933.7000 F 702.933.7001 800.933.7811
WWW.WRIGHTENGINEERS.COM

LAS VEGAS • IRVING • PHOENIX • SALT LAKE

52.3