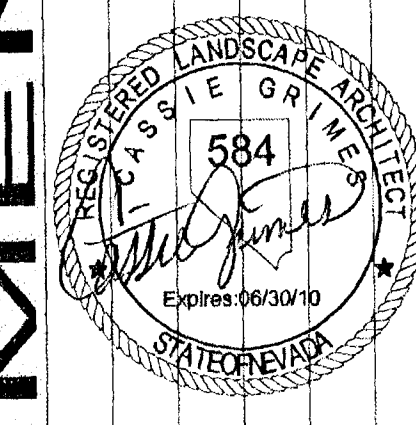




Cardno WRG
 LAS VEGAS
 10849 JEFFREYS ST., HENDERSON, NV 89052
 TEL: (702) 890-9000 FAX: (702) 890-9005
 www.cardnogr.com
 PLANNERS • ENGINEERS • LANDSCAPE ARCHITECTS • SURVEYORS

SANDHILL OUEENS PARK & TRAILHEAD
 LAS VEGAS, NEVADA

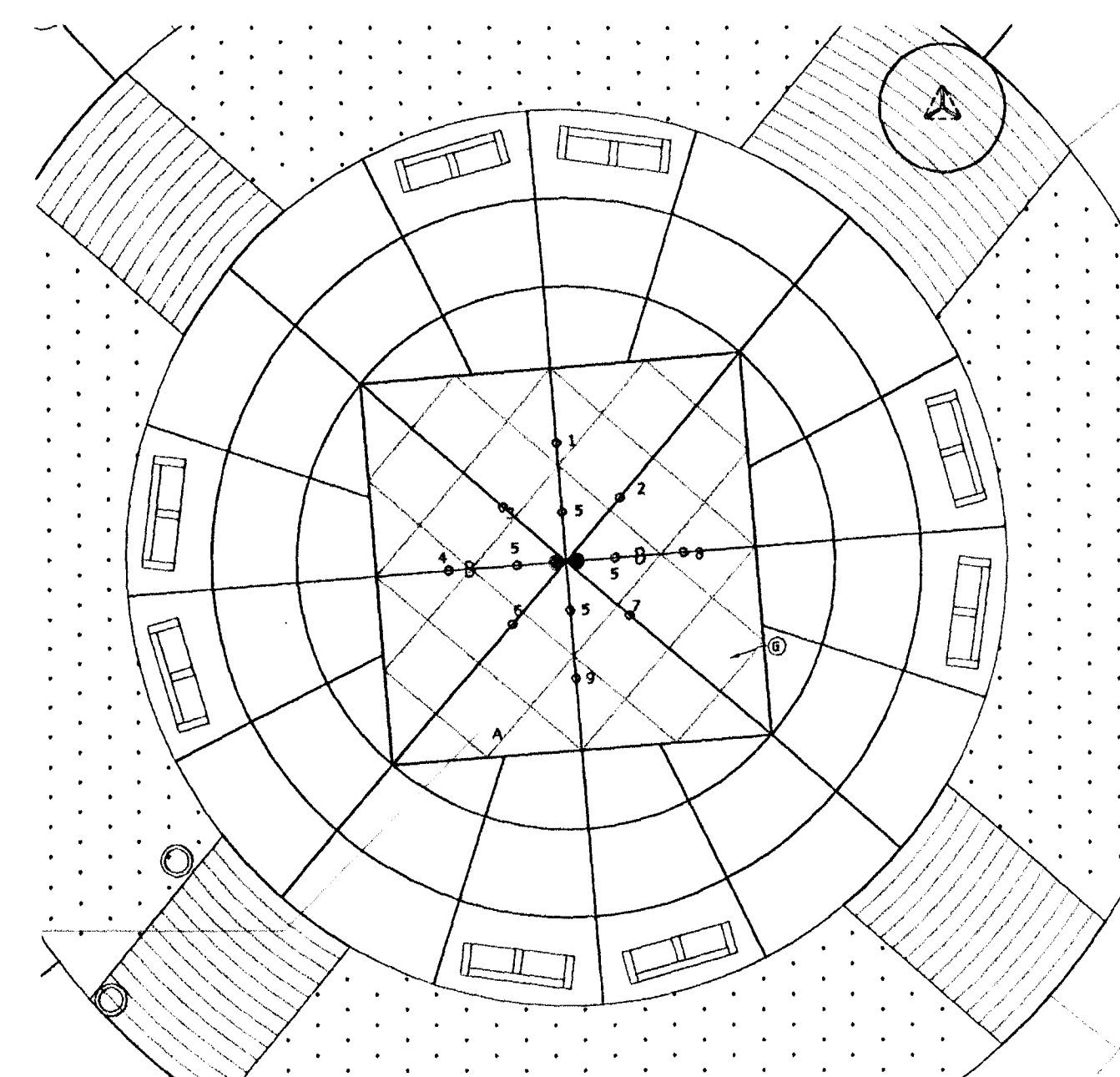


OWNER: CITY OF LAS VEGAS
 DEPARTMENT OF PUBLIC WORKS
 ARCHITECTURAL SERVICES

400 EAST STEWART AVENUE
 LAS VEGAS, NEVADA 89101
 PHONE: (702) 229-5535
 FAX: (702) 388-8848
 TDD: (702) 386-1108

DRAWN: CJC/DFL
 FILE: CLV087937.01
 DATE: 11-2009
 SCALE: AS NOTED
 BID NO: 09-1534-11
 CLV DWD NO: 550 104

100% SUBMITTAL
 SHEET NO: WP.01



SPLASHPAD DIMENSION

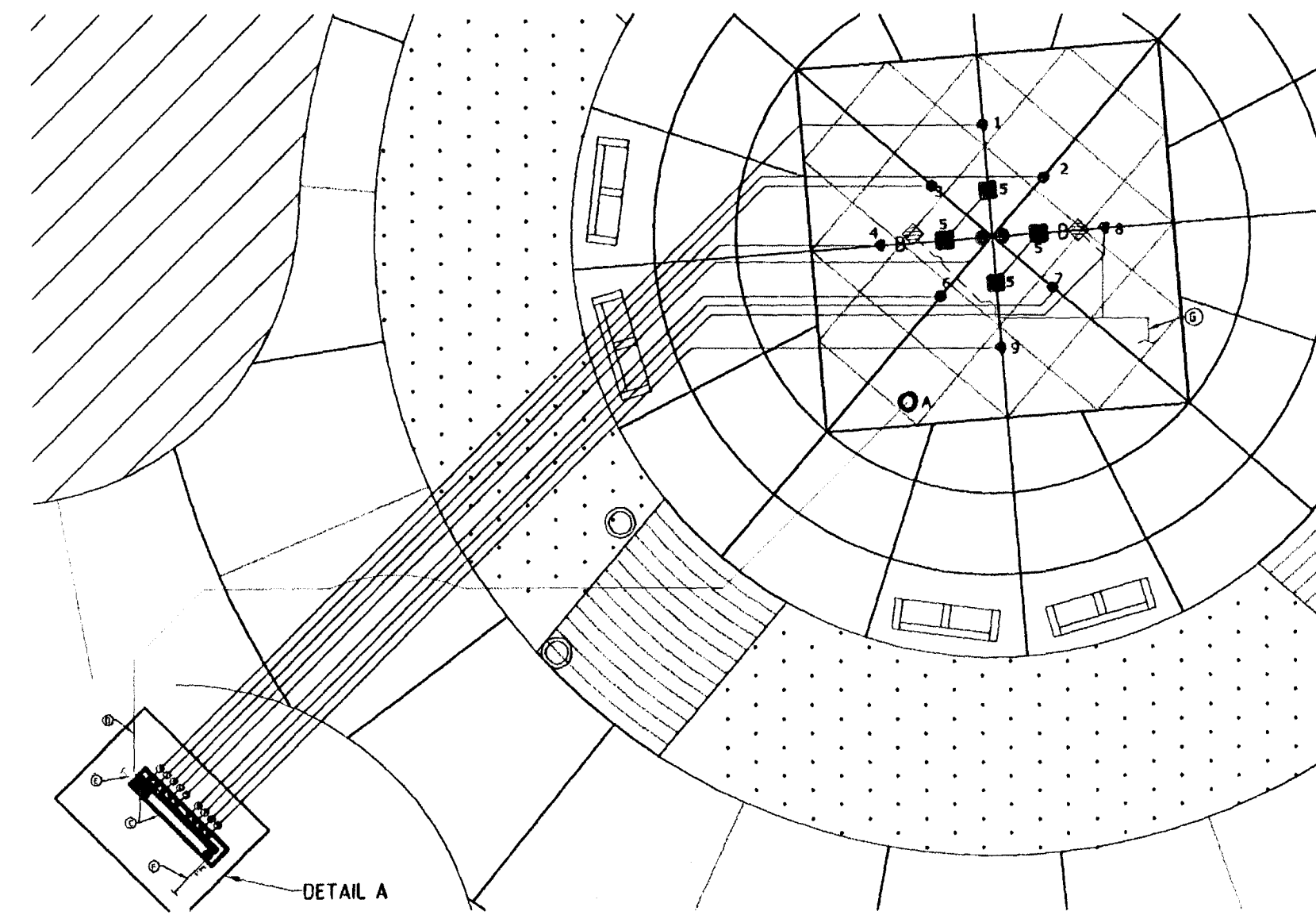
SPRAY AREA: 576ft² / 53m²
 GRID DIMENSION: 2 ft x 2 ft / 0.6m X 0.6m

PRODUCT LEGEND

PRODUCT CODE	QTY	TOTAL FLOW	BAY
A WATER JELLY N°1 VOR-7010.0002	4	44 GPM 166 LPM	TODDLER
B JET STREAM VOR-7512	4	12 GPM 45 LPM	FAMILY
C AQUAJUMPER VOR-7521	4	6 GPM 22 LPM	FAMILY
D BOLLARD ACTICATOR N°2 VOR-7399	1		

1 SPLASH PAD NOZZLE LEGEND

- REFER TO THE INSTALLATION DRAWING OF EACH PLAY PRODUCT & EQUIPMENT VAULT MANIFOLD SYSTEM FOR SPECIFIC INSTALLATION DETAILS.
- WATER DISTRIBUTION SYSTEM CONFIGURATION IS CONCEPTUAL AND REQUIRE APPROVAL PRIOR TO INSTALLATION.
- SPLASHPAD ACTIVITY DECK & DRAIN LINES ARE RECOMMENDED TO HAVE A 1-2% SLOPE TO OPTIMIZE DRAINAGE.
- ALL PIPING TO FEATURES ARE RECOMMENDED TO HAVE A 1-2% SLOPE FOR WINTERIZATION.
- ALL LINE SIZING FROM LEGEND 1 ASSUMES A MAXIMUM DISTANCE OF 80 FEET BETWEEN THE WATER DISTRIBUTION MANIFOLD AND THE FURTHEST PLAY PRODUCT. DISTANCES ABOVE 80 FEET MAY REQUIRE AN INCREASE IN LINE SIZING. PLEASE CONTACT VORTEX.
- ALL PIPING BETWEEN THE DECK DRAINS, PLAY PRODUCTS & WATER DISTRIBUTION SYSTEM ARE RECOMMENDED TO BE SCHEDULE 80 PVC.
- LINES FROM DECK DRAINS SHALL BE 6" LINE ROUTING TO BE DETERMINED ON SITE BY INSTALLER.
- FINAL LOCATION OF DECK DRAINS AND LINE ROUTING ARE TO BE DETERMINED BY INSTALLER.
- WHEN CONNECTING MULTIPLE PLAY PRODUCTS TO ONE FEEDER LINE, THE JUNCTION POINT (SPLIT OR T) SHALL BE PLACED IN THE MID POINT BETWEEN EACH PLAY PRODUCT. FAILURE TO DO SO MAY RESULT IN UNEQUAL SPRAY EFFECTS BETWEEN PLAY PRODUCTS.
- WRING FROM THE CONTROLLER TO EACH ACTIVATOR SHALL BE #14 AWG. A TOTAL OF THREE (3) CONDUCTORS PER ACTIVATOR.
- ALL CONNECTIONS TO THE CONTROLLER SHALL BE PERFORMED USING AN APPROVED NEMA 4X CONNECTOR. LIMIT CONNECTIONS UNDER SLAB. USE OF FEMALE FITTINGS PROHIBITED.
- WATER METER AND BACKFLOW PREVENTER WILL NOT BE PROVIDED BY VORTEX.
- MINIMUM 60 PSI REQUIRED AT THE INLET OF THE BACKFLOW PREVENTER AND PRESSURE REGULATING DEVICE. MANIFOLD PRESSURE TO SET AT 35 PSI.
- TOTAL COMBINED FLOW CAPACITY OF PLAY PRODUCT IS 62 GPM. MAXIMUM FLOW CAPACITY OF MANIFOLD IS 72 GPM.
- VALVE NUMBER 1 IS LOCATED TO THE LEFT OF THE MANIFOLD WHEN FACING THE CONTROLLER (WMM). SPRAY AREA: 576ft² / 53m²

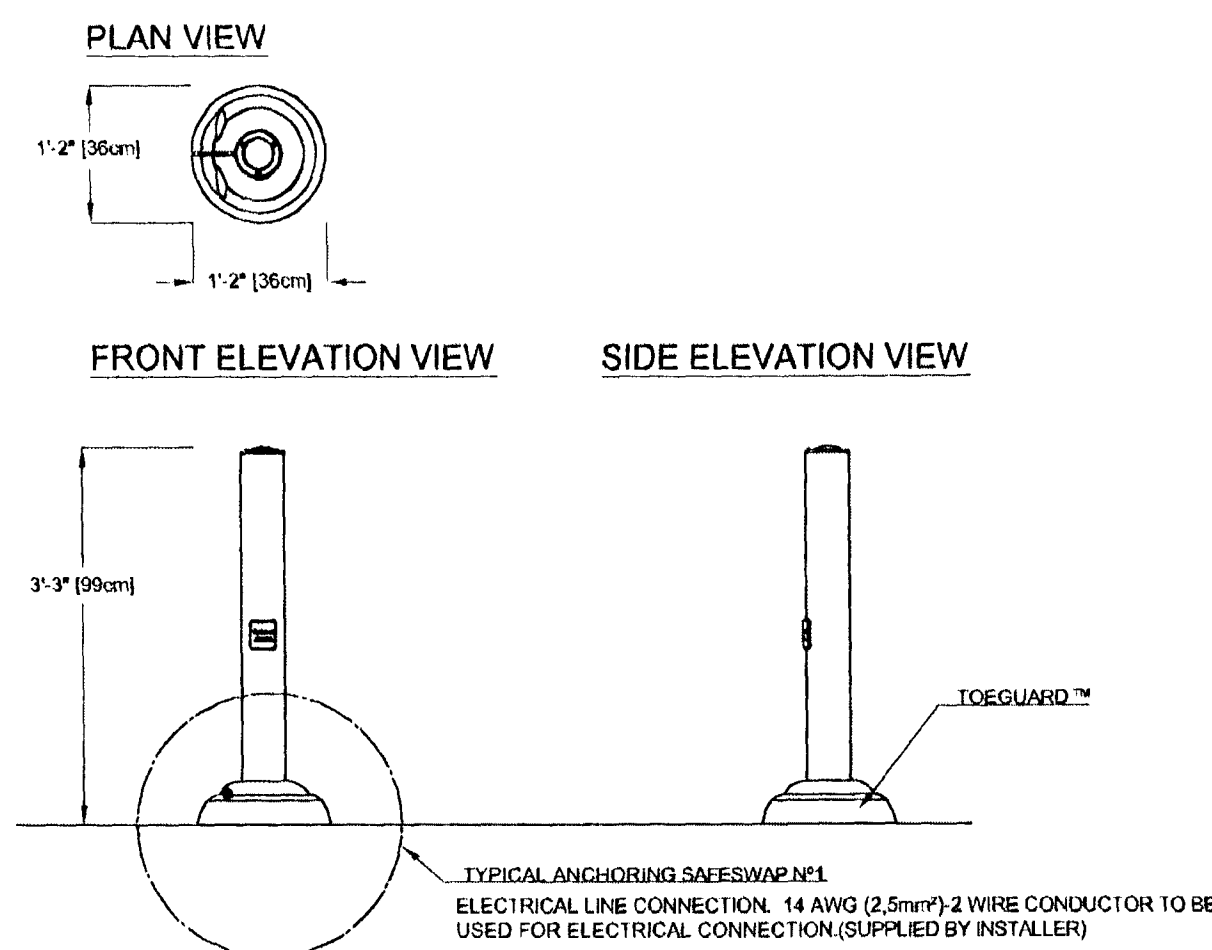
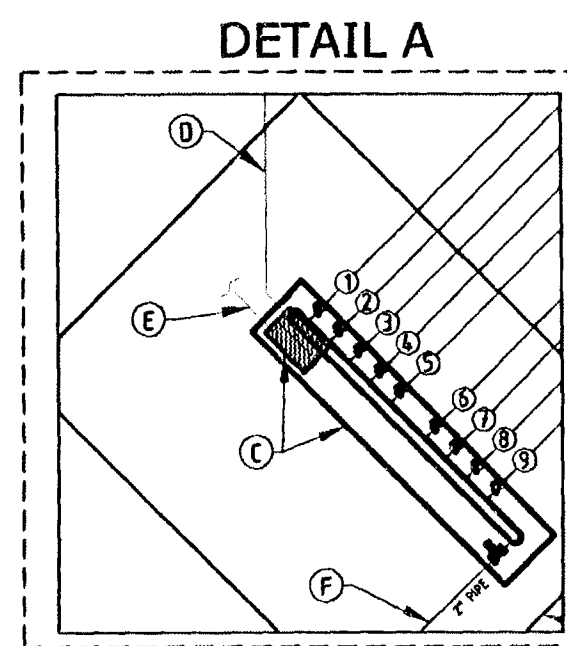


LEGEND - 1

LINE	PRODUCT	QTY	LINE SIZE	GPM
1	JET STREAM VOR-7512	1	1 1/2"	3
2	WATER JELLY N°1 VOR-7010.0002	1	1 1/2"	11
3	WATER JELLY N°1 VOR-7010.0002	1	1 1/2"	11
4	JET STREAM VOR-7512	1	1 1/2"	3
5	AQUAJUMPER VOR-7521	4	1 1/2"	6
6	WATER JELLY N°1 VOR-7010.0002	1	1 1/2"	11
7	WATER JELLY N°1 VOR-7010.0002	1	1 1/2"	11
8	JET STREAM VOR-7512	1	1 1/2"	3
9	JET STREAM VOR-7512	1	1 1/2"	3

LEGEND - 2

CODE	PRODUCT	QTY	LINE SIZE
A	BOLLARD ACTICATOR N°2 VOR-7399	1	
B	DECK DRAIN VOR-1000	2	6"
C	VORTEX 9 VALVE ABOVE GROUND CABINET, CARBON WITH 10 OUTPUT TOUCHPAD CONTROLLER VOR-1109.0003		
D	ELECTRICAL CONDUIT FROM CONTROLLER TO ACTIVATOR, 2 CONDUCTORS #14 AWG (BY INSTALLER)		
E	ELECTRICAL SERVICE LINE 120 VAC, 15AMP SERVICE (BY INSTALLER)		
F	CITY WATER LINE (BY INSTALLER)		2" MINIMUM
G	TO MUNICIPAL DRAIN (BY INSTALLER)		
	SOLENOID VALVE	9	
	PRESSURE REGULATOR	1	

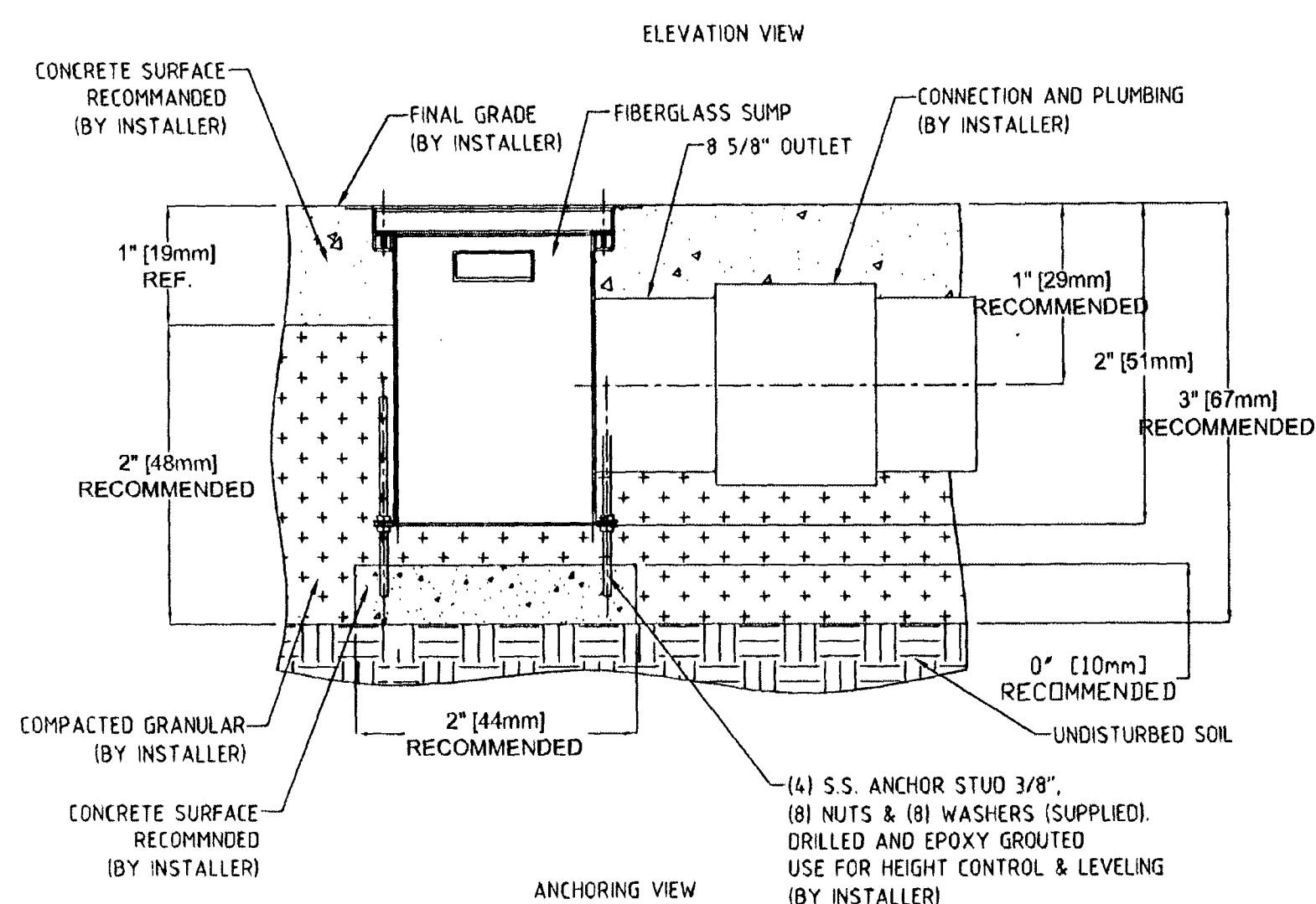
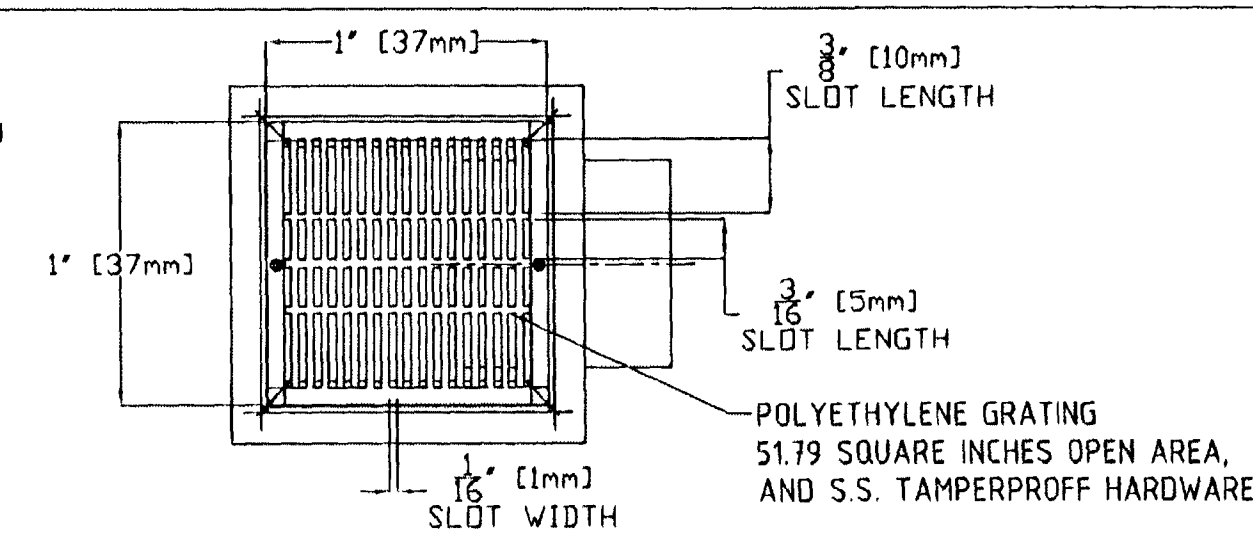


NOTE: SEE DETAIL 2 THIS SHEET FOR BOLLARD ACTIVATOR LOCATION

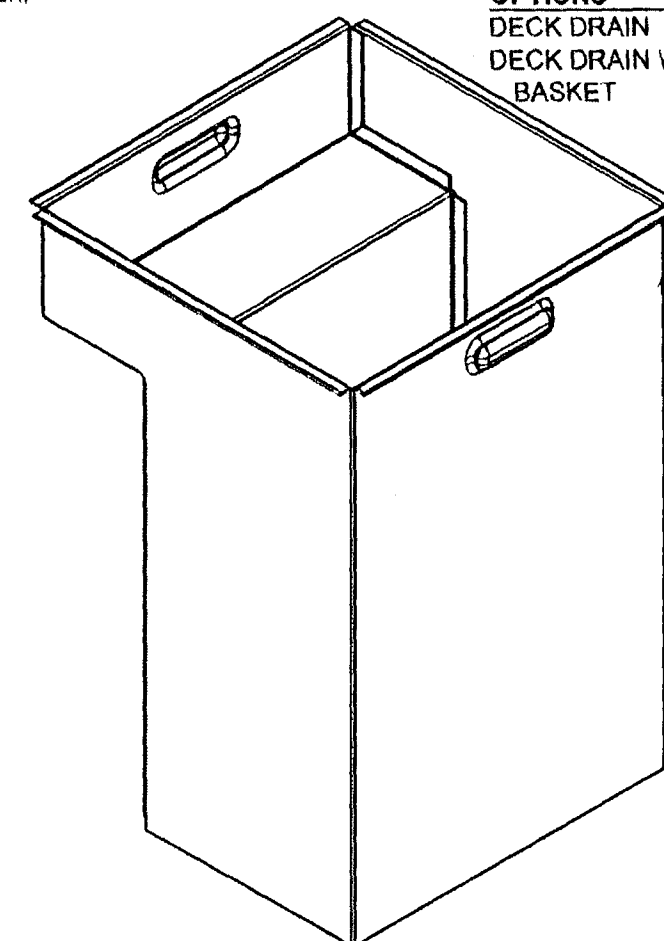
3 BOLLARD ACTIVATOR

SCALE: NTS

DECK DRAIN MODEL # VOR-1000 KLMM AVAILABLE FROM VORTEX 1-800-5VORTEX) OR APPROVED EQUAL



ANCHORING VIEW



STAINLESS STEEL PERFORATED SHEET METAL. HOLES SIZE 1/8" 430.56 SQUARE INCH OPEN AREA

DECK DRAIN OPTION CODES

PRODUCT # - VOR-1000 KLMM
 K - ANCHORING DETAIL
 0 = BELOW GRADE
 L - NOZZLE TYPE
 0 = STANDARD
 M - OTHER OPTIONS
 0 = STANDARD

SCALE: NTS

2 SPLASH PAD LAYOUT

SCALE: 1" = 10'-0"

4 DECK DRAIN

PROJECT:

PROJECT ID:

Splashpad #3

DWG.NAME:

Spray Zone Layout

SCALE: 1" : 6'

UNITE: Ft. (m)

SHEET: 1/1

REL: 00

12-2-09