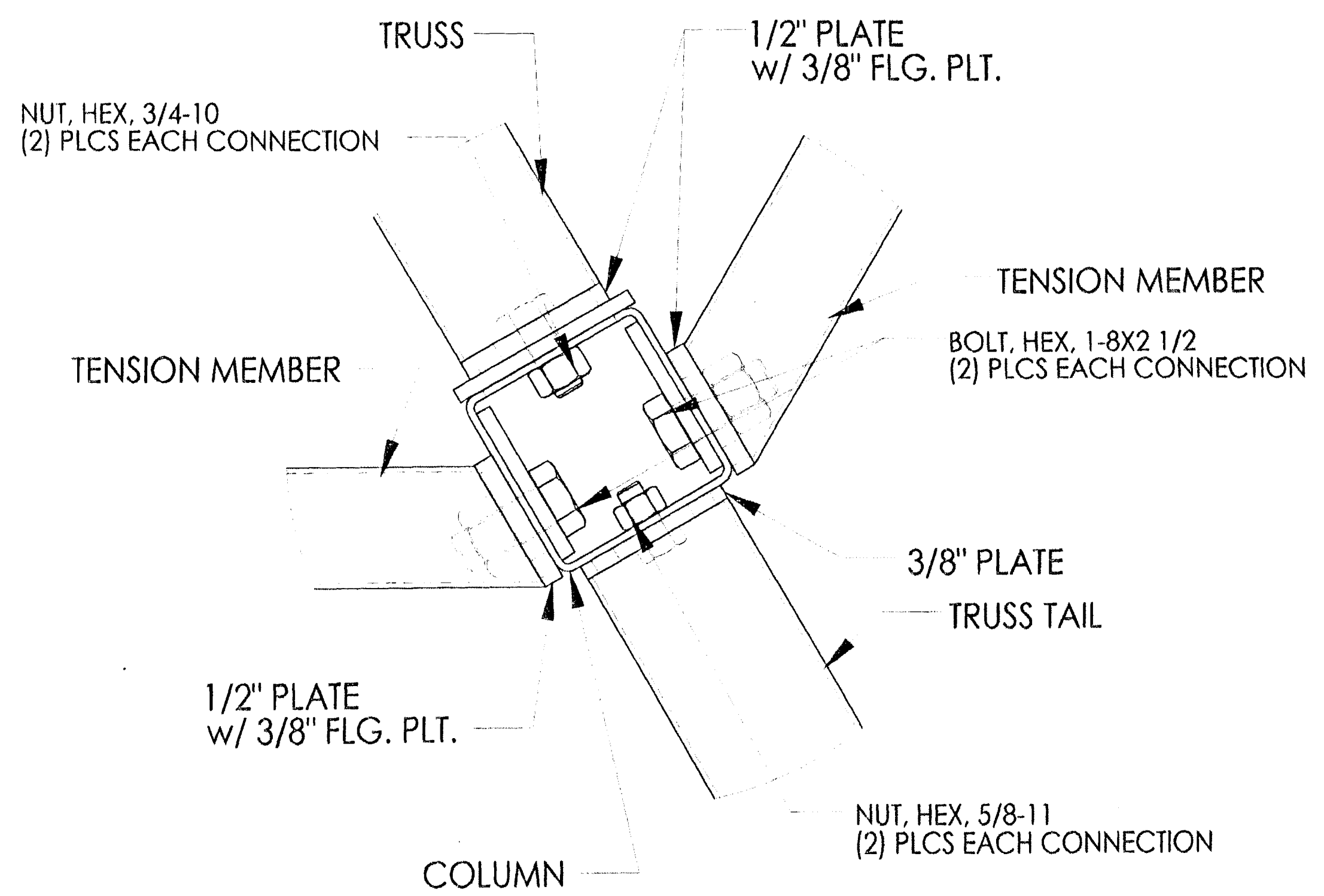


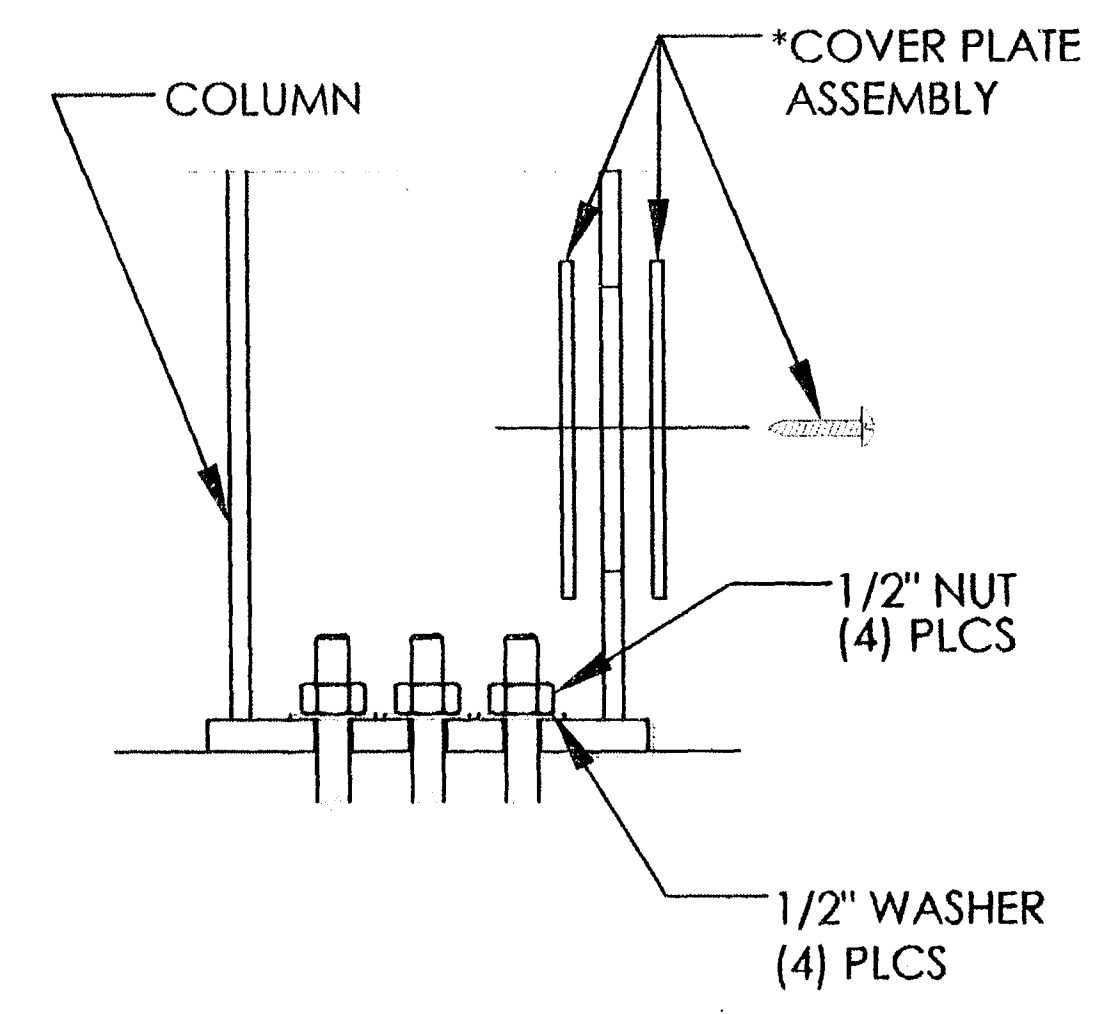
PURLIN CONNECTION @ TRUSS

P-100



TRUSS, TENSION MEMBER, & TRUSS TAIL CONNECTION @ COLUMN

K-100



\*COVER PLATE ASSEMBLY CONSISTING OF:  
 (1) PLATE (231-0380)  
 (1) STRAP (231-0381)  
 (1) SCREW (030015)

SECTION - ANCHOR BOLT AT COLUMN

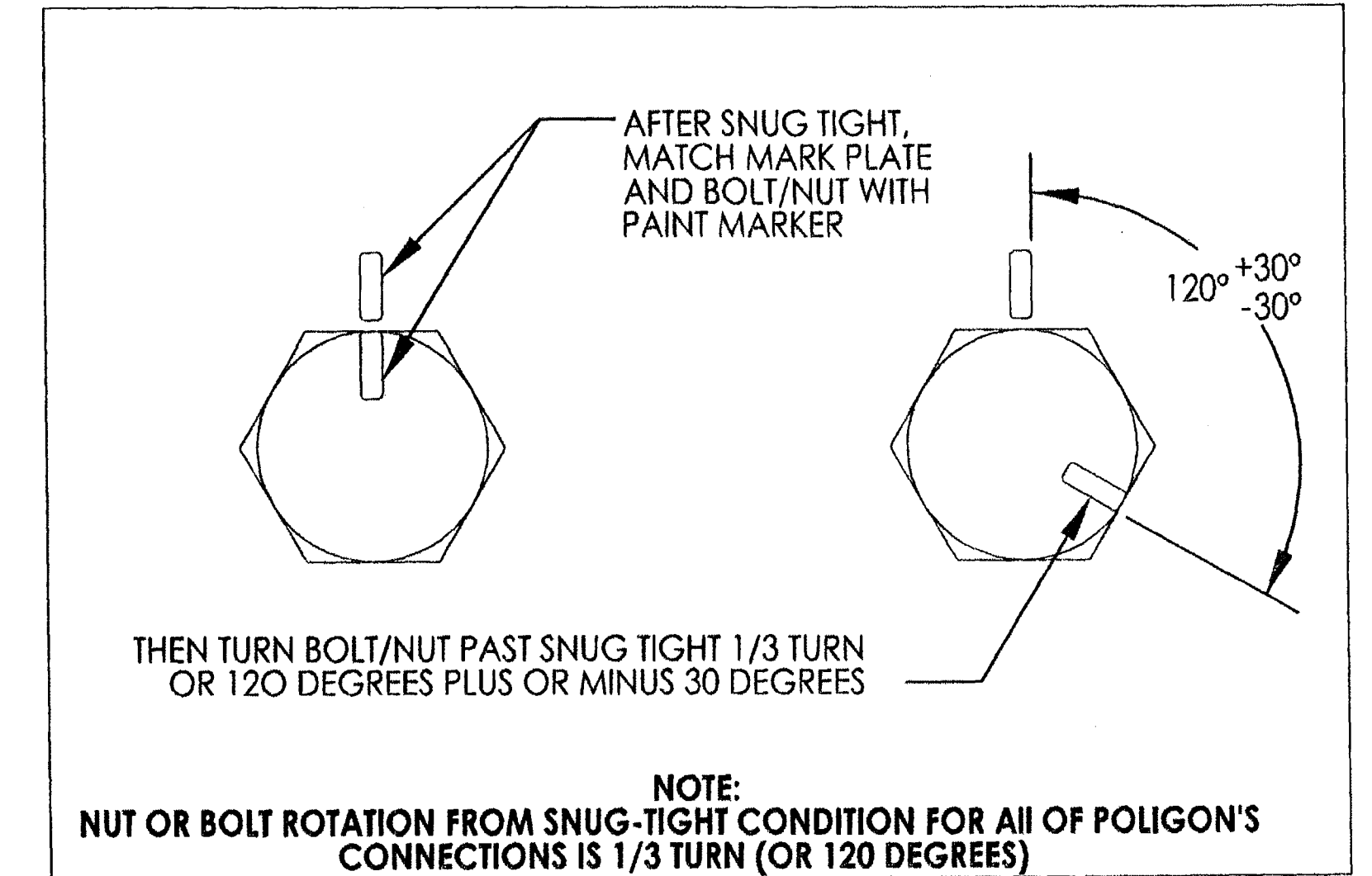
A-100

NOTES:  
 ALL HIGH STRENGTH BOLTS ARE A-325 BOLTS AND TO BE INSTALLED BY THE "TURN OF THE NUT" METHOD AS SPECIFIED IN THE 13TH EDITION OF THE AISC "SPECIFICATION FOR STRUCTURAL JOINTS USING ASTM A325 OR A490 BOLTS", SECTION 8 D (1). A-325 BOLTS MAY BE INSTALLED WITHOUT WASHERS WHEN TIGHTENED BY THE "TURN OF THE NUT" METHOD. IT IS THE RESPONSIBILITY OF THE ERECTOR TO INSURE PROPER TIGHTNESS. THIS METHOD IS ONLY REQUIRED ON 5/8" DIAMETER AND LARGER BOLTS. ANCHOR BOLTS NEED NOT BE TIGHTENED PAST SNUG TIGHT.

LOCAL JURISDICTIONS MAY REQUIRE AN INSPECTOR TO BE PRESENT TO WITNESS HARDWARE INSTALLATION AND INDEPENDENT TESTING. INSPECTION REQUIREMENTS SHOULD BE VERIFIED PRIOR TO STEEL ERECTION. SEE FIGURE BELOW FOR PROPER HIGH STRENGTH BOLT INSTALLATION.

ERECTION OF THE FRAMING MEMBERS WILL REQUIRE THE MAIN COLUMNS TO BE PLUMB SQUARE AND TIGHTENED TO THE TRUSSES AND TENSION MEMBERS BEFORE INSTALLING THE PURLINS. PURLINS, IF REQUIRED, MUST BE PARALLEL TO THE EAVE BEAMS AND TENSION MEMBERS.

UNLESS THE BUILDING HAS A FACTORY APPLIED POWDERCOAT, E-COAT OR GALVANIZING, THE FRAME WILL BE PRIME PAINTED AND WILL BE REQUIRED TO BE FINISH PAINTED IN THE FIELD WITH ALL PAINT, MATERIALS AND LABOR NOT BY POLIGON (PORTERCORP, INC). REFER TO FINAL SALES ORDER.



TOUCH-UP PAINT MUST BE APPLIED TO ALL EXPOSED BOLTS & NUTS. PERIODIC TOUCH-UP AT THESE BOLTED CONNECTIONS IS A MUST.

800-354-7721  
 www.poligon.com  
 by **PORTERCORP**  
 PORTERCORP 4240 N. 136th AVE. HOLLAND, MI 49424

PRINT DATE: 10/9/2009	DRAWN BY: briste	CREATION DATE: 5/27/2009	JOB NO: 46542
SCALE: 1:1	REV LEVEL: A		

PROJECT: SANDHILL OWEN PARK & TRAILHEAD  
 PROJECT LOCATION: HENDERSON, NV 89074  
 DRAWING: FRAME CONNECTION DETAILS  
 CAD MODEL: HXE-20-F1-B2-46542

SHEET  
**PR.05**

THIS SEAL PERTAINS ONLY TO THE MATERIALS SUPPLIED BY POLIGON. THIS SEAL DOES NOT SERVE AS - OR REPRESENT - THE PROJECT ENGINEER OF RECORD AND SHALL NOT BE CONSTRUED AS SUCH.