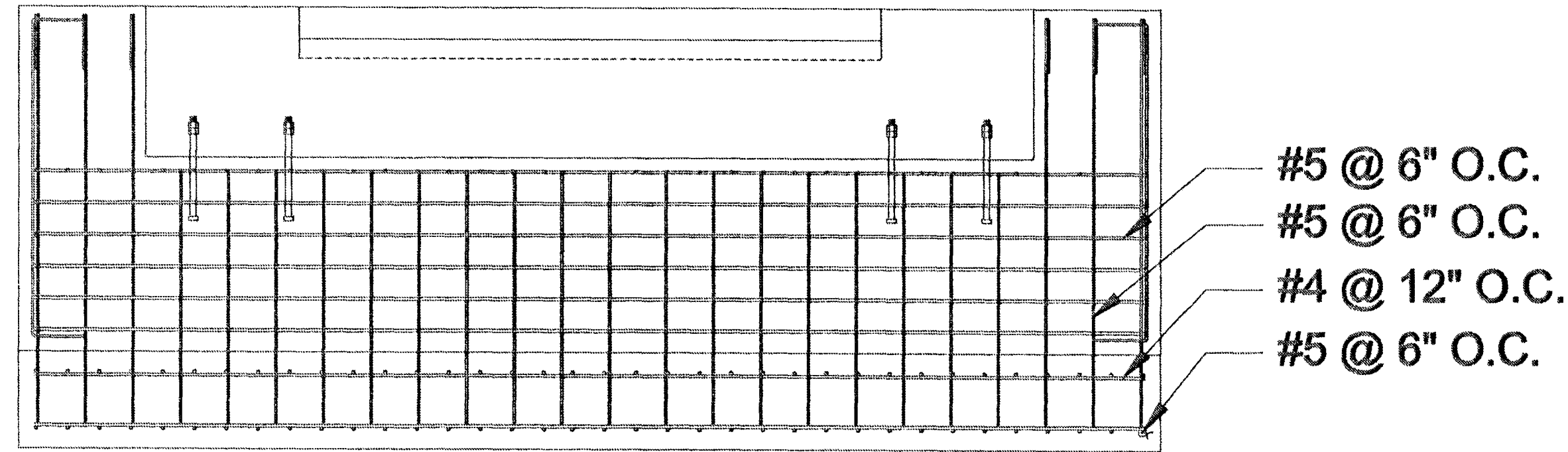
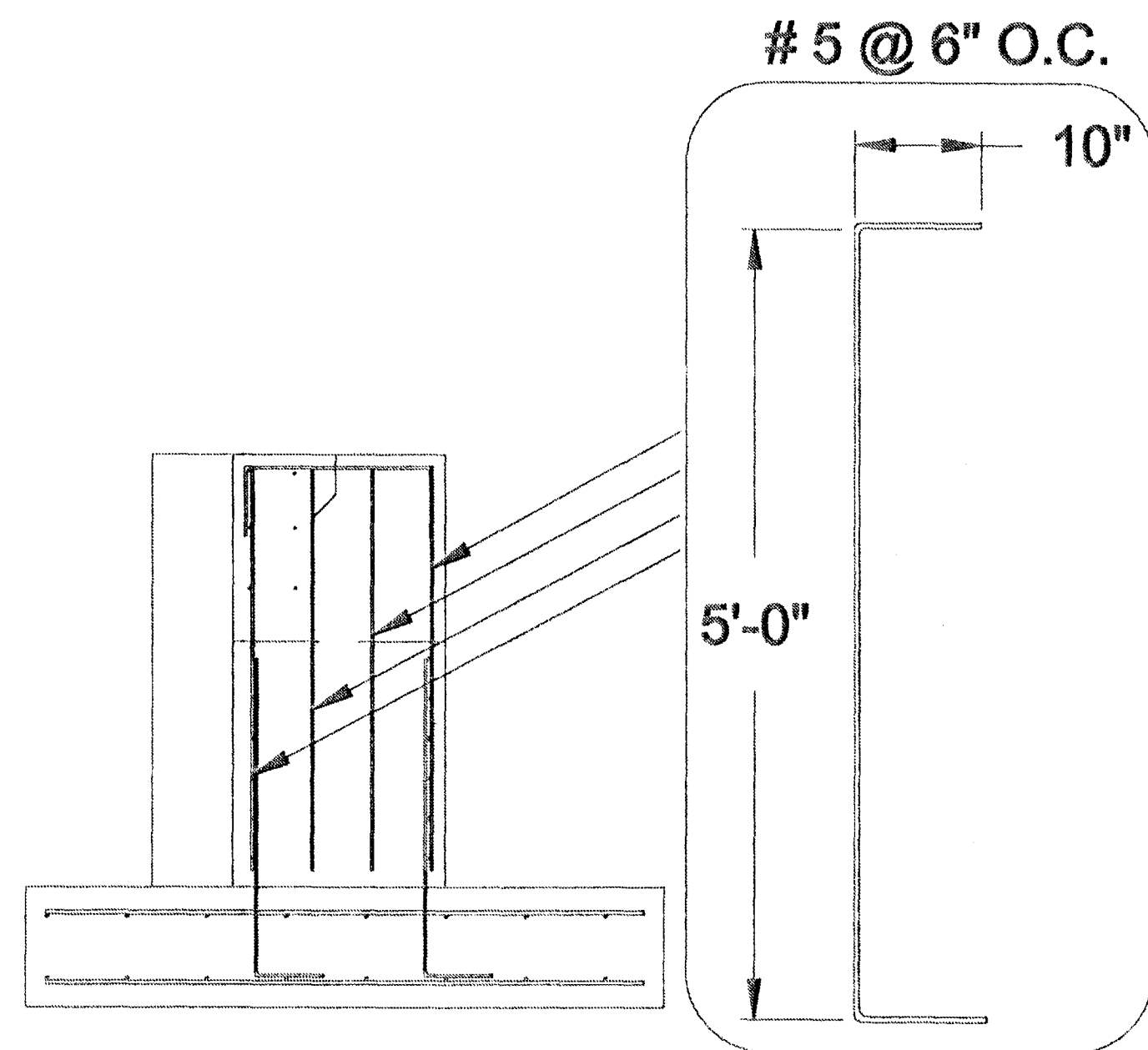


ABUTMENT REINFORCEMENT DETAIL 1
SCALE: 1/2"=1'-0"



ABUTMENT REINFORCEMENT DETAIL 2
SCALE: 1/2"=1'-0"



ABUTMENT REINFORCEMENT DETAIL 3
SCALE: 1/2"=1'-0"

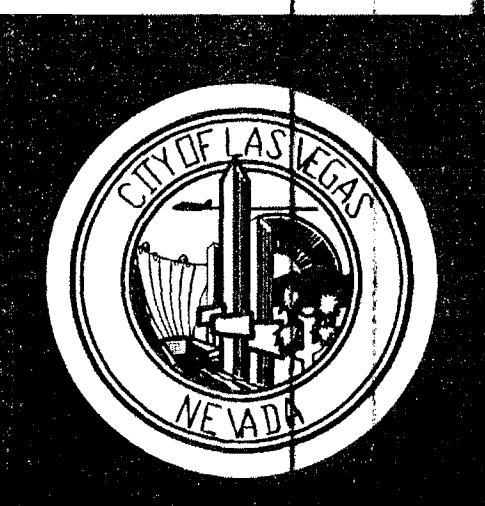
12/22/11

Grenier Engineering, Inc.
Structural and Civil Engineering Consultants

1347 N. ALMA SCHOOL ROAD, #200 CHANDLER, ARIZONA 85224 TEL: (480) 831-1170 FAX: (480) 831-1136

PROJECT NO. GE PROJECT #

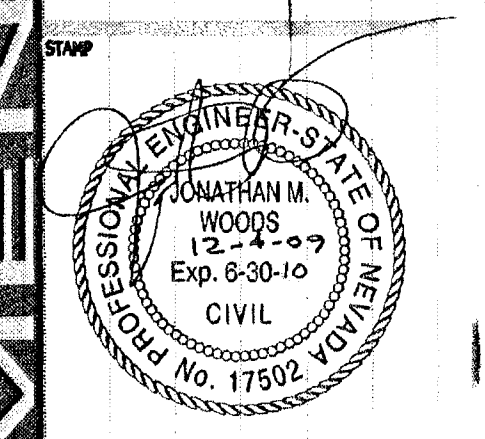
100% SUBMITTAL



STINGER WELDING INC.
4248 N. HWY 497
COOLIDGE, AZ 85228
WWW.DECKJOINT.COM (480) 987-1630

SANDHILL OWENS PARK & TRAILHEAD
LAS VEGAS, NEVADA

ABUTMENT DETAILS 2 OF 2



OWNER: CITY OF LAS VEGAS
DEPARTMENT OF PUBLIC WORKS
ARCHITECTURAL SERVICES

400 EAST STEWART AVENUE
LAS VEGAS, NEVADA 89101
PHONE: (702) 229-6835
FAX: (702) 386-6846
TDD: (702) 386-9108

DATE	BY	DESCRIPTION
11-20-09	CLV/STL	FILE
AS NOTED		SCALE
09-15-04		REV NO
09-15-04		CLV/STL
09-15-04		REV NO