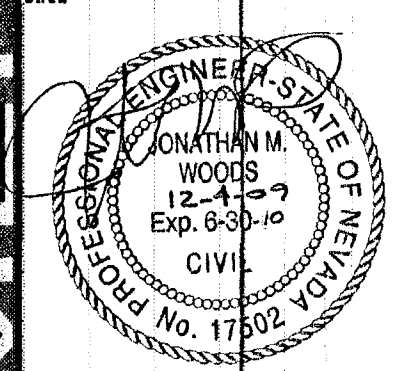




REVISIONS

CONSULTANT  
**STINGER WELDING INC.**  
 4248 N. HWY 87  
 COOLIDGE, AZ 85228  
 WWW.DECKJOINT.COM (480) 987-1630

SANDHILL OWENS PARK & TRAILHEAD  
 LAS VEGAS, NEVADA  
 ABUTMENT DETAILS 1 OF 2

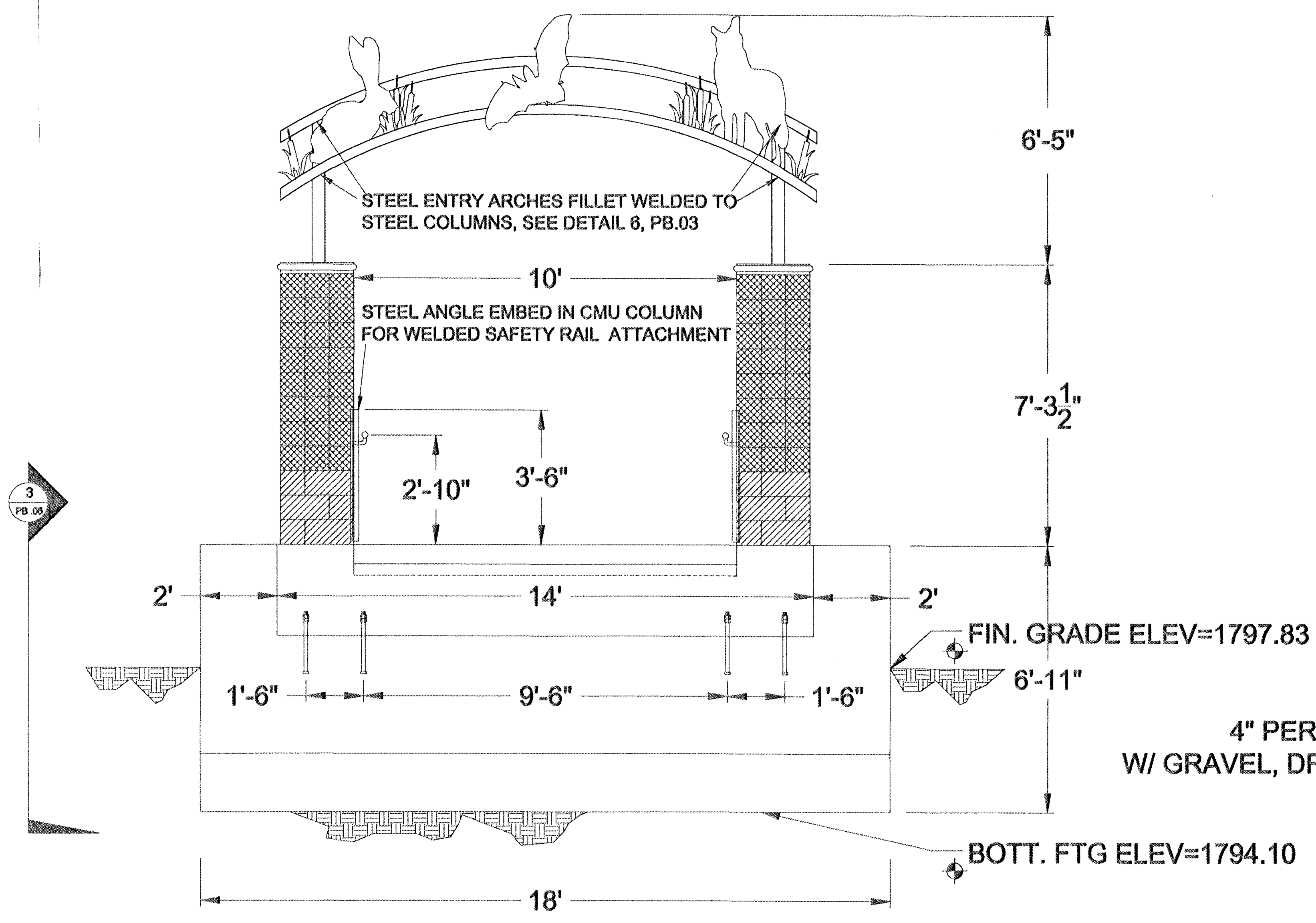


OWNER: CITY OF LAS VEGAS  
 DEPARTMENT OF PUBLIC WORKS  
 ARCHITECTURAL SERVICES

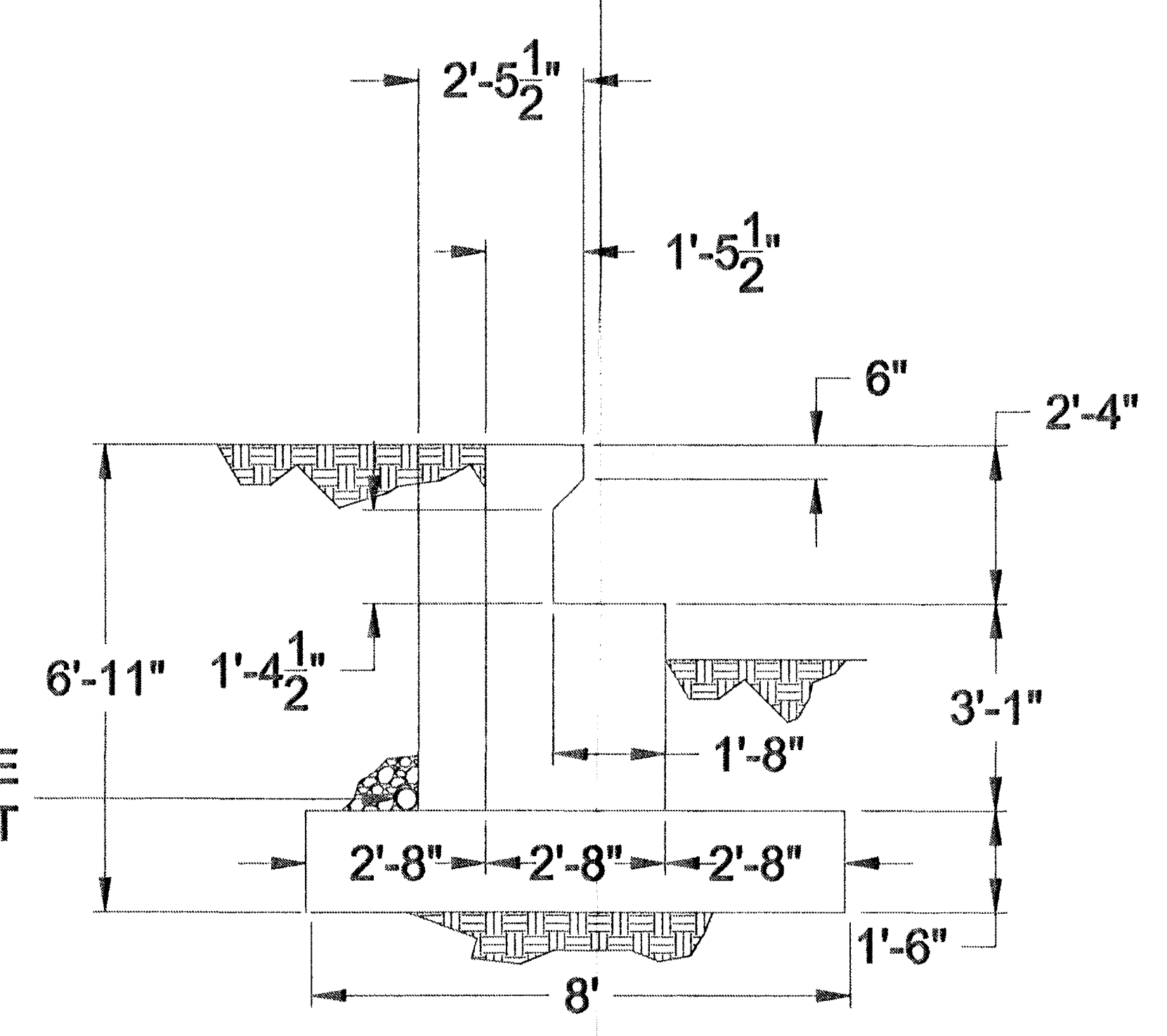
400 EAST STEWART AVENUE  
 LAS VEGAS, NEVADA 89103  
 PHONE: (702) 239-8333  
 FAX: (702) 384-4848  
 TDD: (702) 388-9108

OWNER: CLYDE WOODS  
 DATE: 11-2009  
 SCALE: AS NOTED  
 SHEET NO: 08.1534.11  
 CLY WDG NO: 608.104

100% SUBMITTAL  
**DEPARTMENT OF PUBLIC WORKS**  
 SHEET NO: **PB.05**

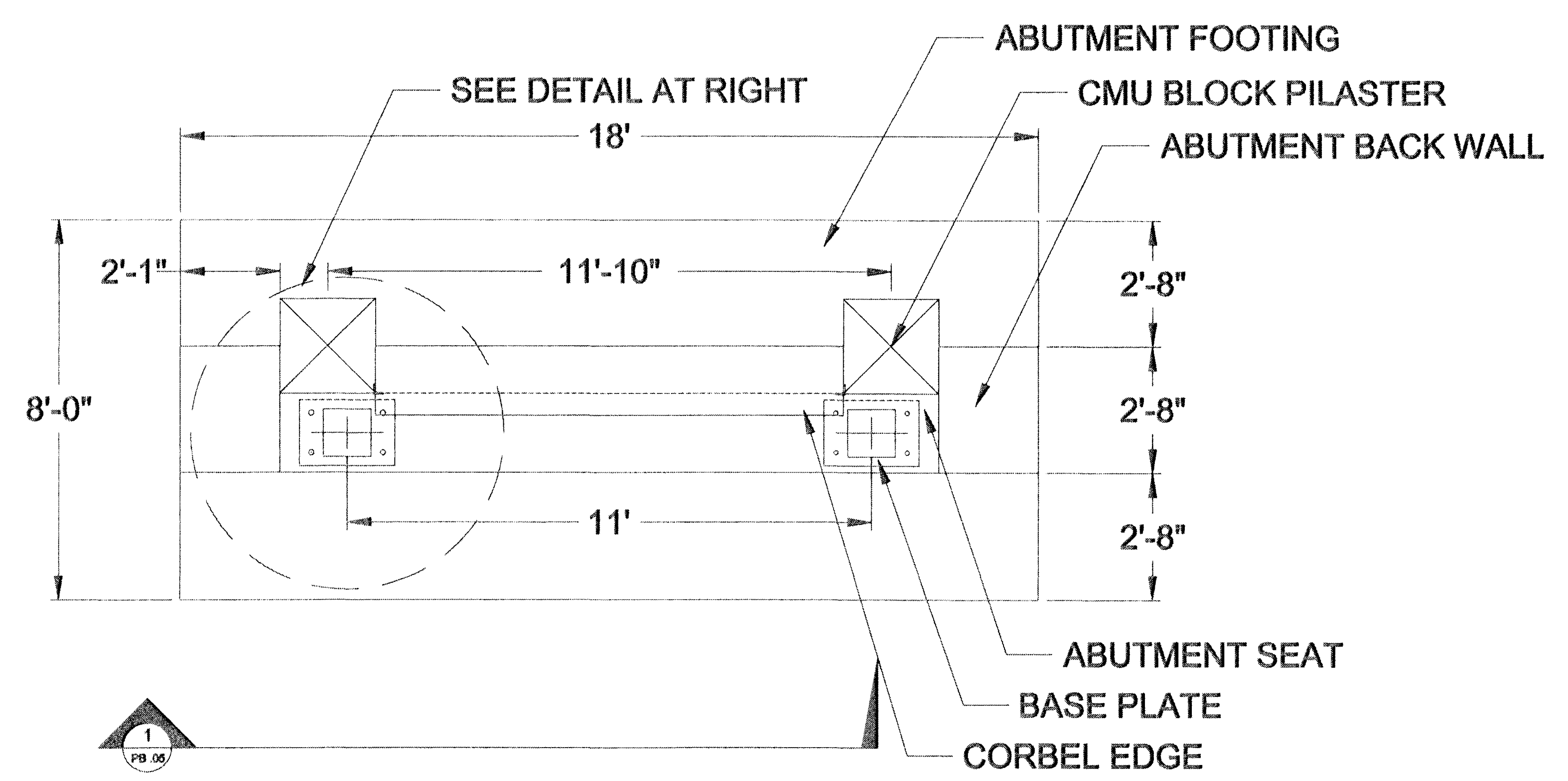


**ABUTMENT ELEVATION**  
 SCALE: 1/2"=1'-0"

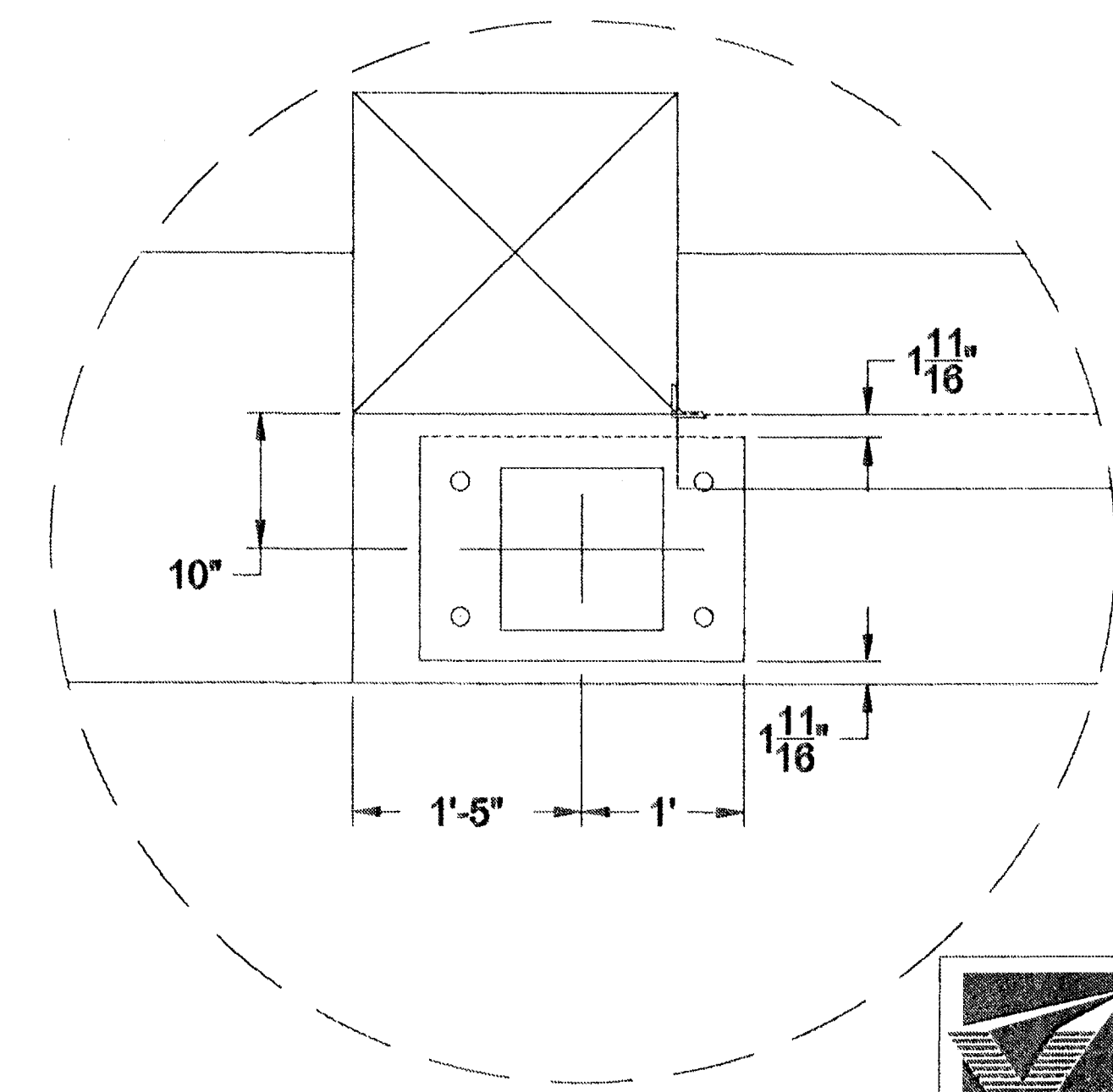


**ABUTMENT SECTION**  
 SCALE: 1/2"=1'-0"

NOTE: ALL WALLS BELOW GRADE SHOULD BE WATERPROOFED



**ABUTMENT PLAN**  
 SCALE: 1/2"=1'-0"



**Grenier Engineering, Inc.**  
 Structural and Civil Engineering Consultants

PROJECT NO. 08 PROJECT #  
 1347 N. ALMA SCHOOL ROAD, #200 CHANDLER, ARIZONA 85224 TEL: (480) 831-1170 FAX: (480) 831-1136

THIS DRAWING IS NOT TO BE USED FOR CONSTRUCTION PURPOSES UNTIL SEALED AND SIGNED BY  
 THE ENGINEER OF RECORD. ANY REVISIONS TO THIS DRAWING MUST BE APPROVED BY THE ENGINEER OF RECORD.

12-8-11-08