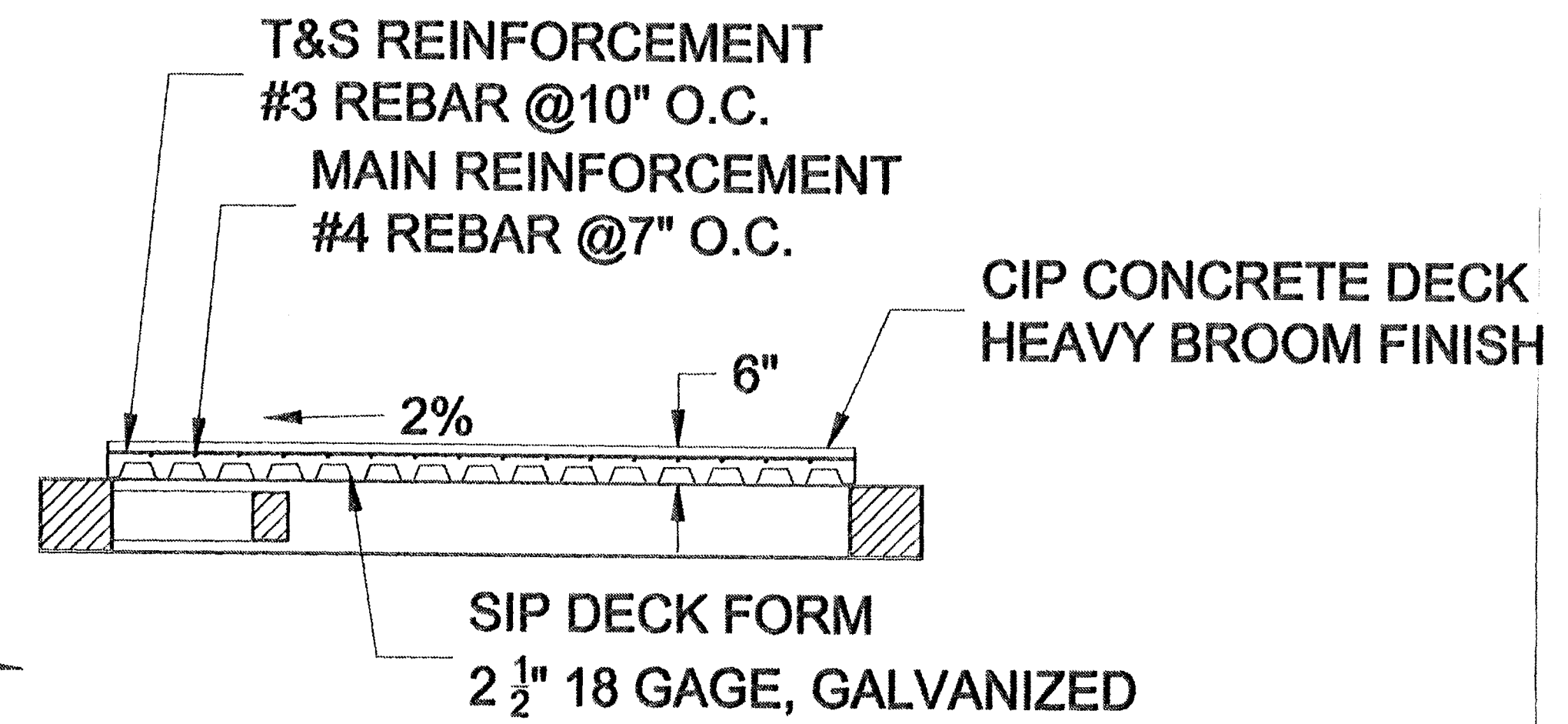


**ARCH ENTRY DETAIL**

SCALE: 1/2"=1'-0"

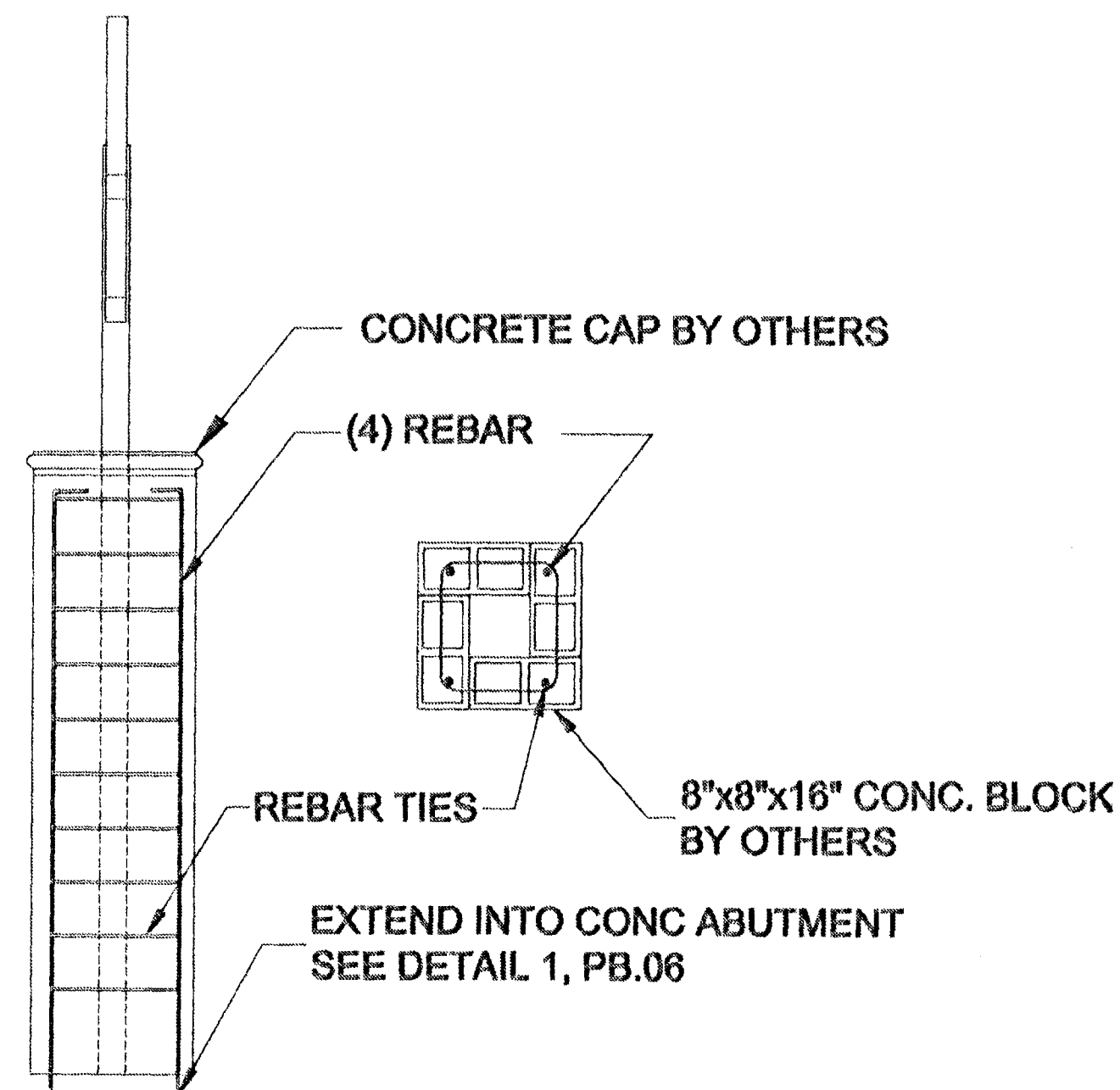
1



**DECK SECTION**

SCALE: 1/2"=1'-0"

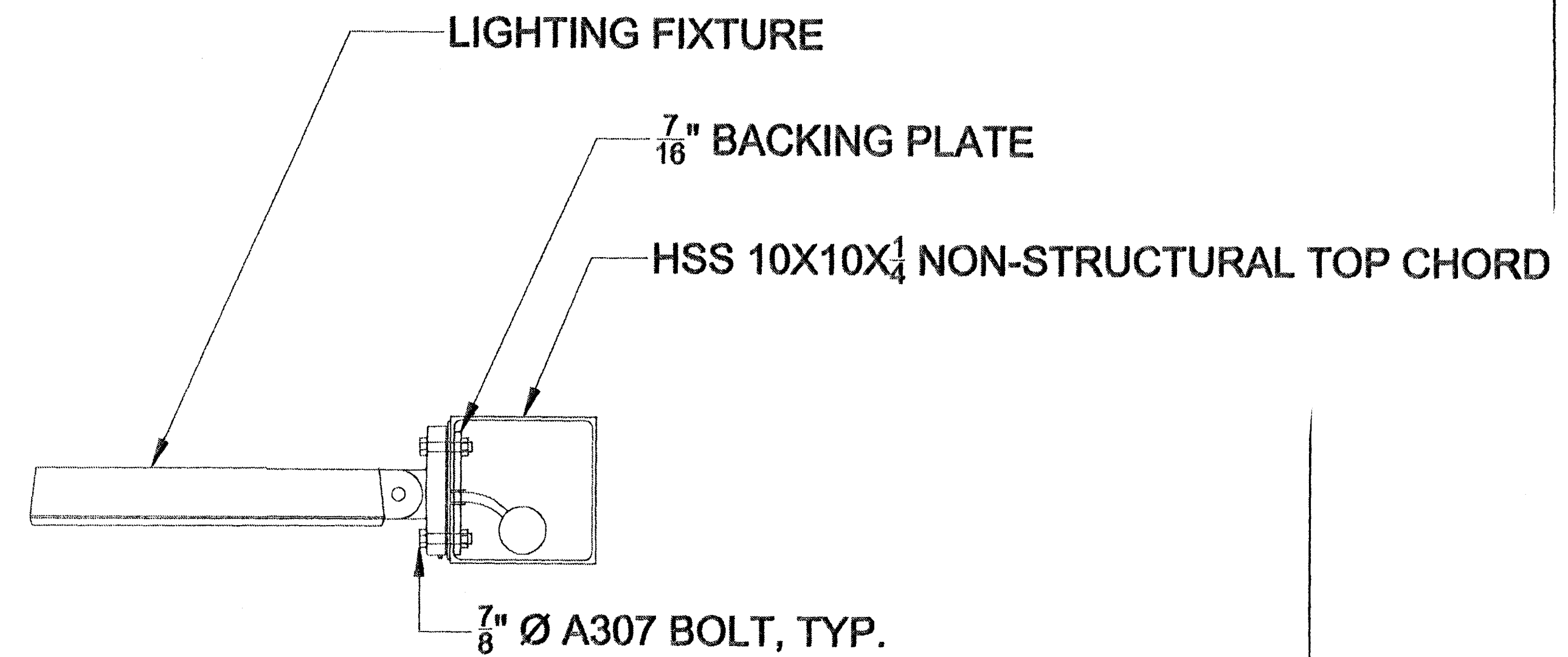
2



**PILASTER REINFORCEMENT**

SCALE: 1/2"=1'-0"

3



**LIGHTING FIXTURE**

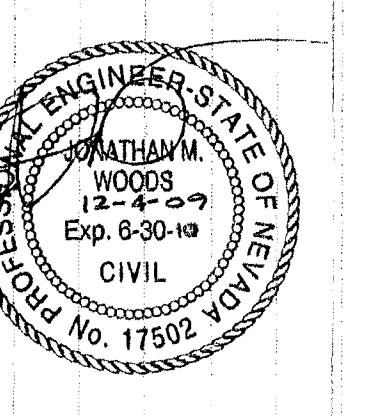
SCALE: 1/2"=1'-0"

4



**STINGER WELDING INC.**  
 4248 N. HWY 87  
 COOLIDGE, AZ 85228  
 WWW.DECKJOINT.COM (480) 987-1830

SANDHILL OWENS PARK & TRAILHEAD  
 LAS VEGAS, NEVADA  
 BRIDGE DETAILS 2 OF 2



OWNER: CITY OF LAS VEGAS  
 DEPARTMENT OF PUBLIC WORKS  
 ARCHITECTURAL SERVICES

400 EAST STEWART AVENUE  
 LAS VEGAS, NEVADA 89101  
 PHONE: (702) 229-6535  
 FAX: (702) 386-6846  
 TDD: (702) 386-9108

OWNER	DATE
CL/9/11	11-2009
FILE	CL/2009/07/01
SCALE	AS NOTED
BID NO	08.1534.11
CL/OWNER	608.104

**Greiner Engineering, Inc.**  
 Structural and Civil Engineering Consultants

123259

100% SUBMITTAL

BR 04