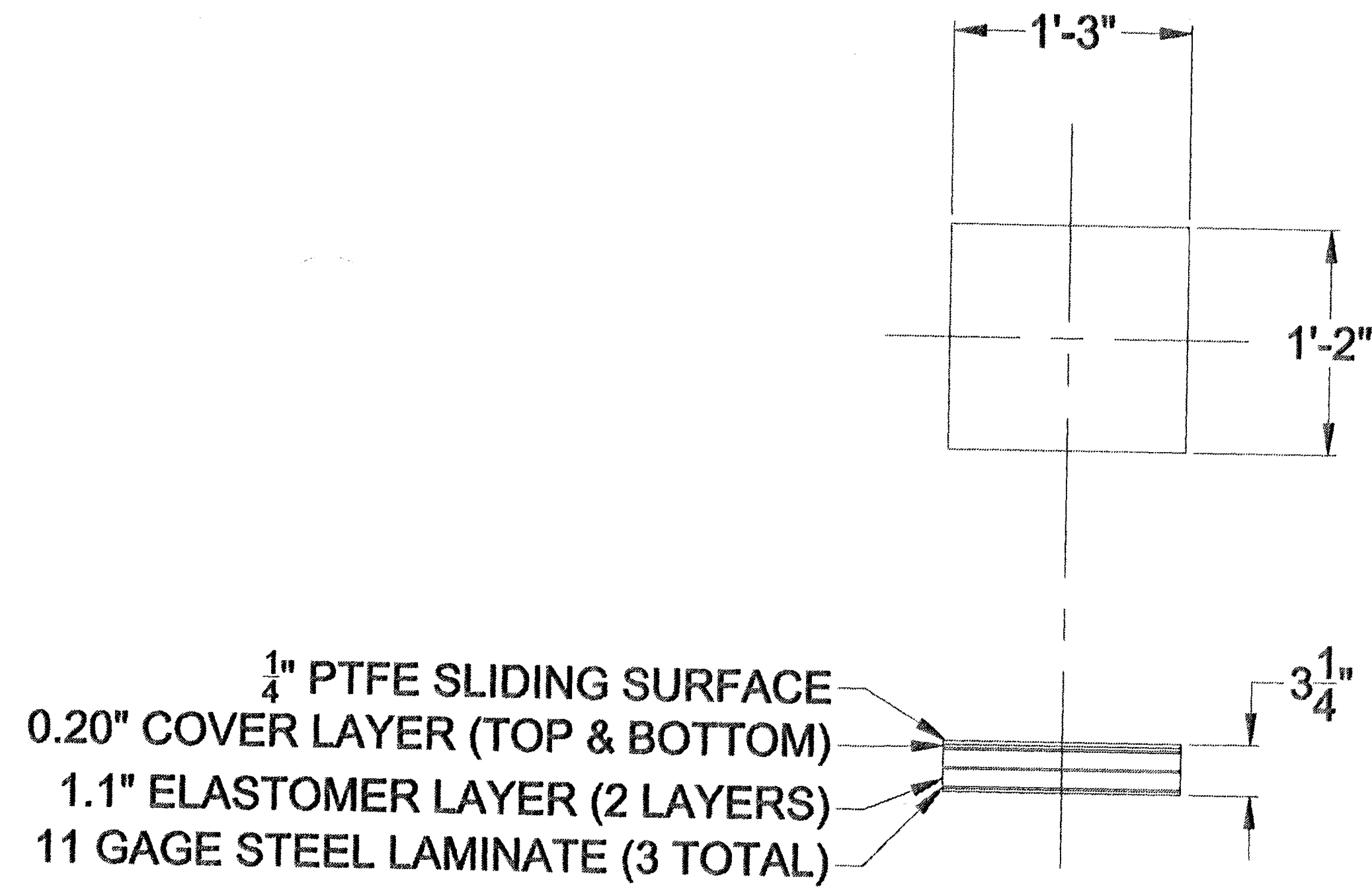
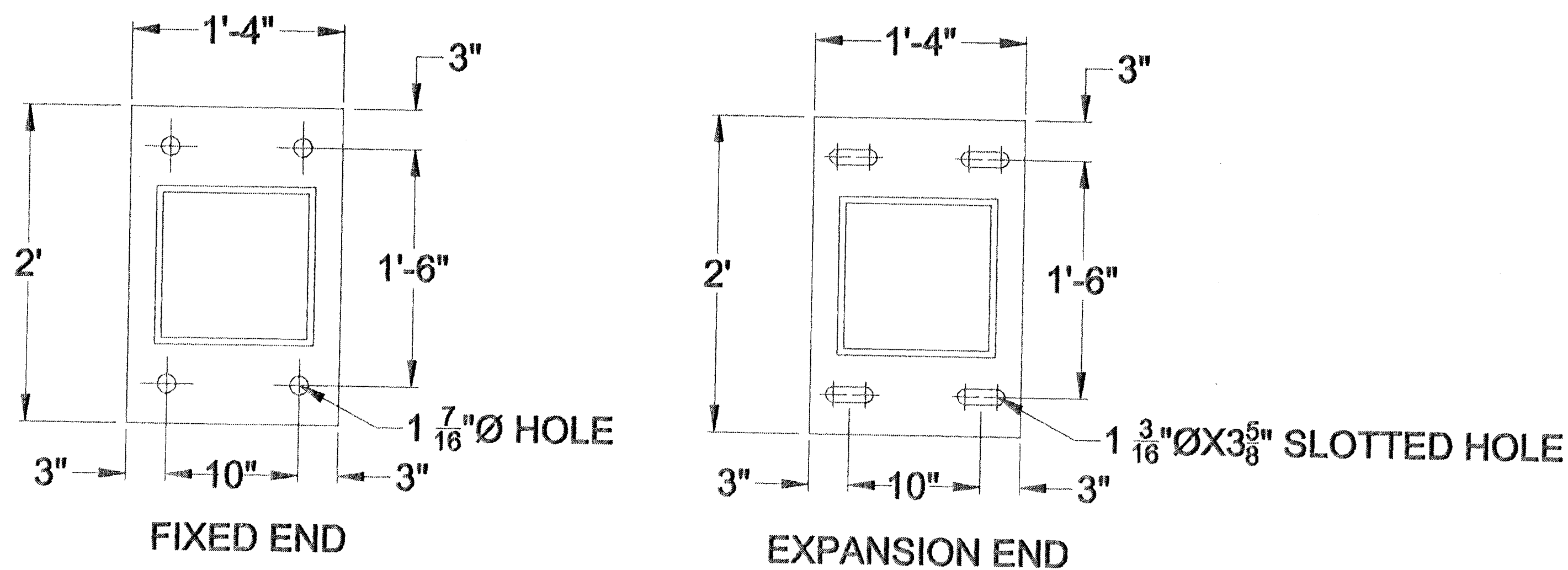


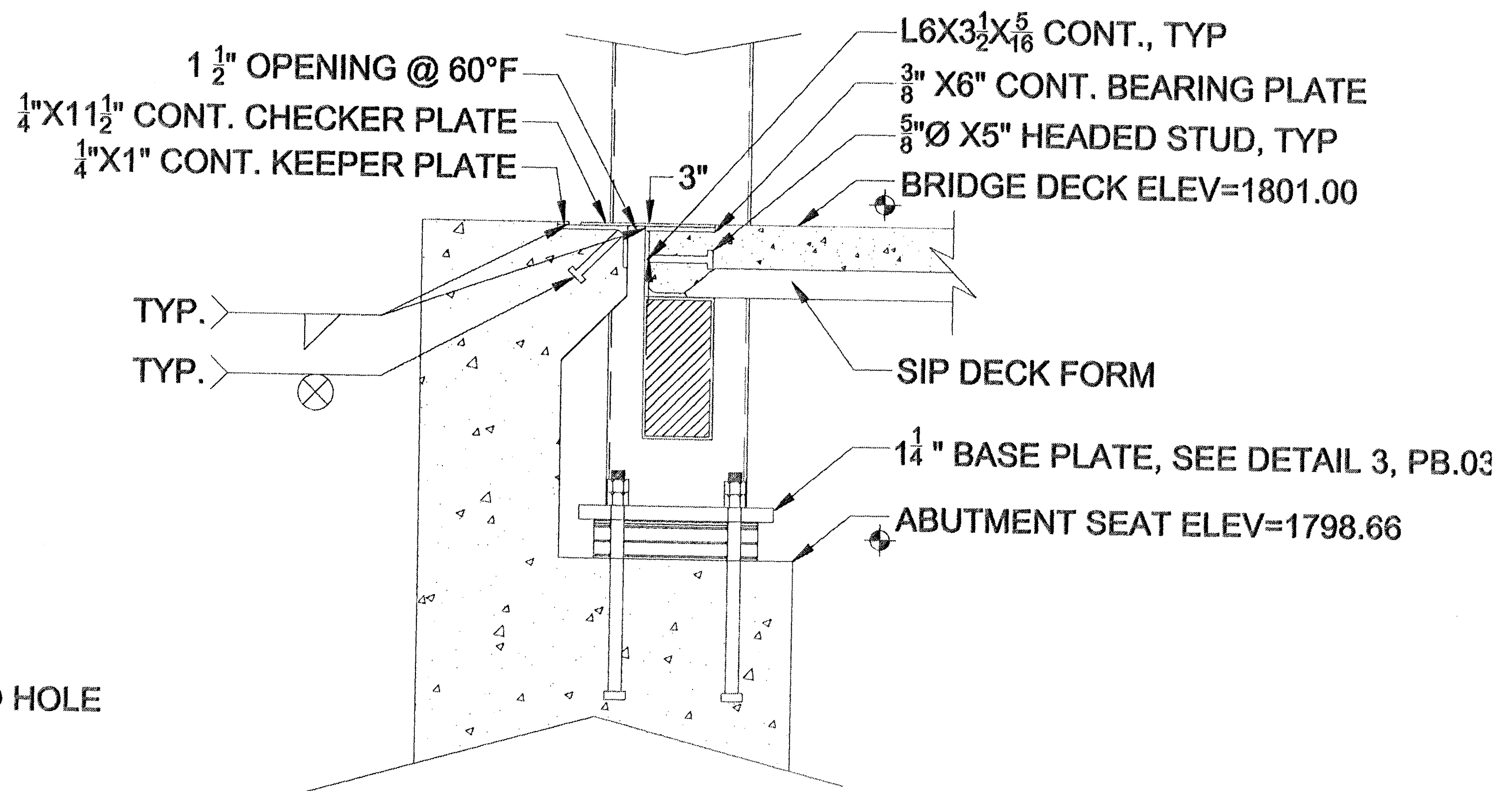
**BEARING ASSEMBLY DETAIL**  
SCALE: 1  $\frac{1}{2}$ "=1'-0"



**BEARING PAD DETAIL**  
SCALE: 1  $\frac{1}{2}$ "=1'-0"



**BASE PLATE DETAIL**  
SCALE: 1  $\frac{1}{2}$ "=1'-0"



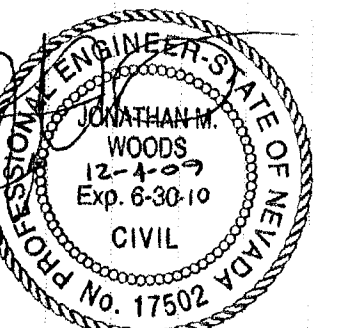
**ABUTMENT TO DECK DETAIL**  
SCALE: 1  $\frac{1}{2}$ "=1'-0"



**STINGER WELDING INC.**  
4248 N. HWY 87  
COOLIDGE, AZ 85228  
WWW.DECKJOINT.COM (480) 987-1630

SANDHILL OWENS PARK & TRAILHEAD  
LAS VEGAS, NEVADA

BRIDGE DETAILS 1 OF 2



OWNER: CITY OF LAS VEGAS  
DEPARTMENT OF PUBLIC WORKS  
ARCHITECTURAL SERVICES

400 EAST STEWART AVENUE  
LAS VEGAS, NEVADA 89101  
PHONE: (702) 229-5338  
FAX: (702) 384-4846  
TDD: (702) 385-9108

DRAWN: CJP/PL  
FILE: C:\PROJECTS\01  
DATE: 11-2009  
SCALE: AS NOTED  
JOB NO: 09-1544.11  
CIVIL NO: 658.104

**Grenier Engineering, Inc.**  
Structural and Civil Engineering Consultants

1347 N. ALMA SCHOOL ROAD, #200 CHANDLER, ARIZONA 85224 TEL: (480) 831-1170 FAX: (480) 831-1136  
PROJECT NO. GE PROJECT  
THIS DRAWING IS NOT TO BE USED FOR CONSTRUCTION PURPOSES UNTIL SEALED AND SIGNED BY  
ENGINEER OF RECORD. BRIDGE OR STRUCTURAL WITH PROPER INTERFERENCES.