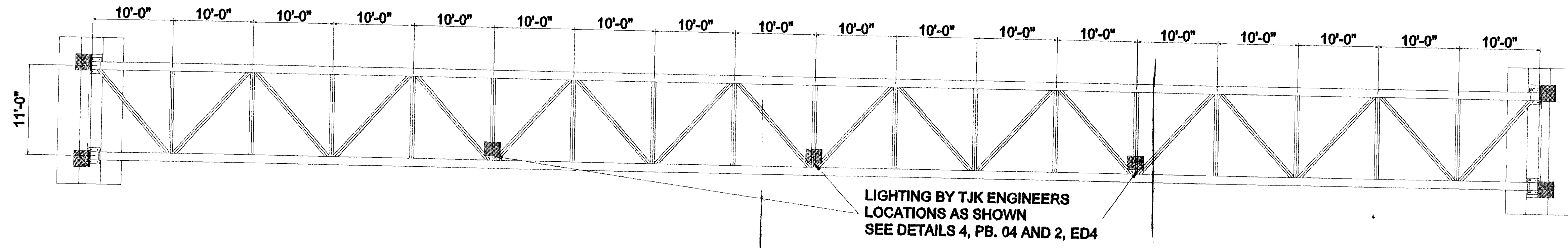


BRIDGE ELEVATION
SCALE: 1/8"=1'-0"

INDEX TO BRIDGE DRAWINGS

TITLE	DWG. NO.
BRIDGE PLAN AND ELEVATION	PB. 01
GENERAL NOTES AND TYPICAL SECTION	PB. 02
BRIDGE DETAILS 1 OF 2	PB. 03
BRIDGE DETAILS 2 OF 2	PB. 04
ABUTMENT DETAILS 1 OF 2	PB. 05
ABUTMENT DETAILS 2 OF 2	PB. 06

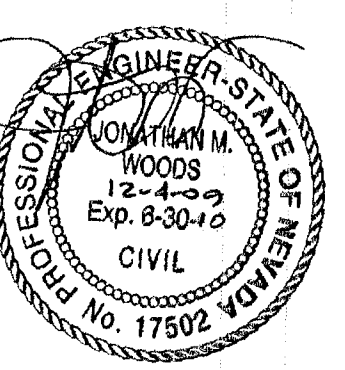


BRIDGE PLAN
SCALE: 1/8"=1'-0"

DEPARTMENT OF PUBLIC WORKS

STINGER WELDING INC.
4248 N. HWY 87
COOLIDGE, AZ 85228
WWW.DECKJOINT.COM (480) 987-1630

SANDHILL OWENS PARK & TRAILHEAD
LAS VEGAS, NEVADA
BRIDGE PLAN AND ELEVATION



OWNER: CITY OF LAS VEGAS
DEPARTMENT OF PUBLIC WORKS
ARCHITECTURAL SERVICES

400 EAST STEWART AVENUE
LAS VEGAS, NEVADA 89101
PHONE: (702) 229-8338
FAX: (702) 384-4848
TDD: (702) 388-9108

DATE	BY	DESCRIPTION
11-2009	CL/98/907/01	FILE
AS NOTED		SCALE
09.15.11		REV NO
09.15.11		REV NO
		REV NO

Grenier Engineering Inc.
Structural and Civil Engineering Consultants
1347 N. ALMA SCHOOL ROAD, #200 CHANDLER, ARIZONA 85224
PROJECT NO. GE PROJECT
(480) 831-1170 FAX: (480) 831-1156
THIS DRAWING IS THE PROPERTY OF THE DESIGN PROFESSIONAL. UNLESS OTHERWISE SPECIFIED, IT IS TO BE USED ONLY FOR THE PROJECT AND SITE SPECIFICALLY IDENTIFIED HEREON.
UNTIL SEALED AND SIGNED BY

12/2/05