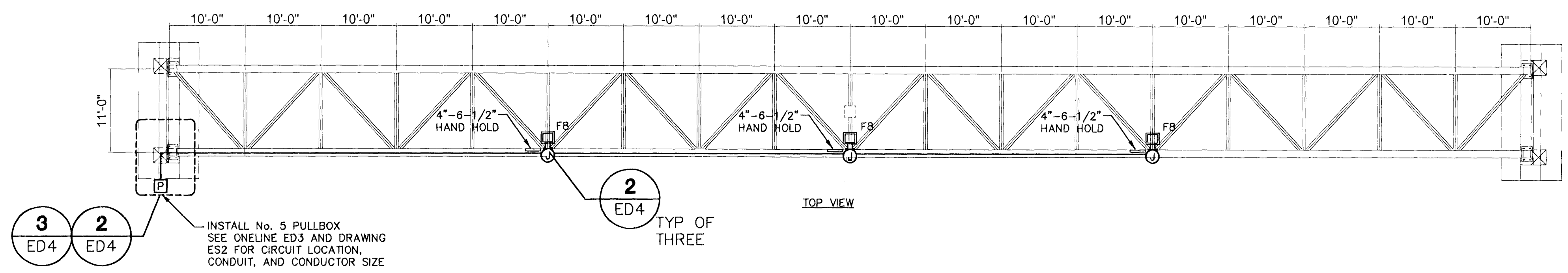
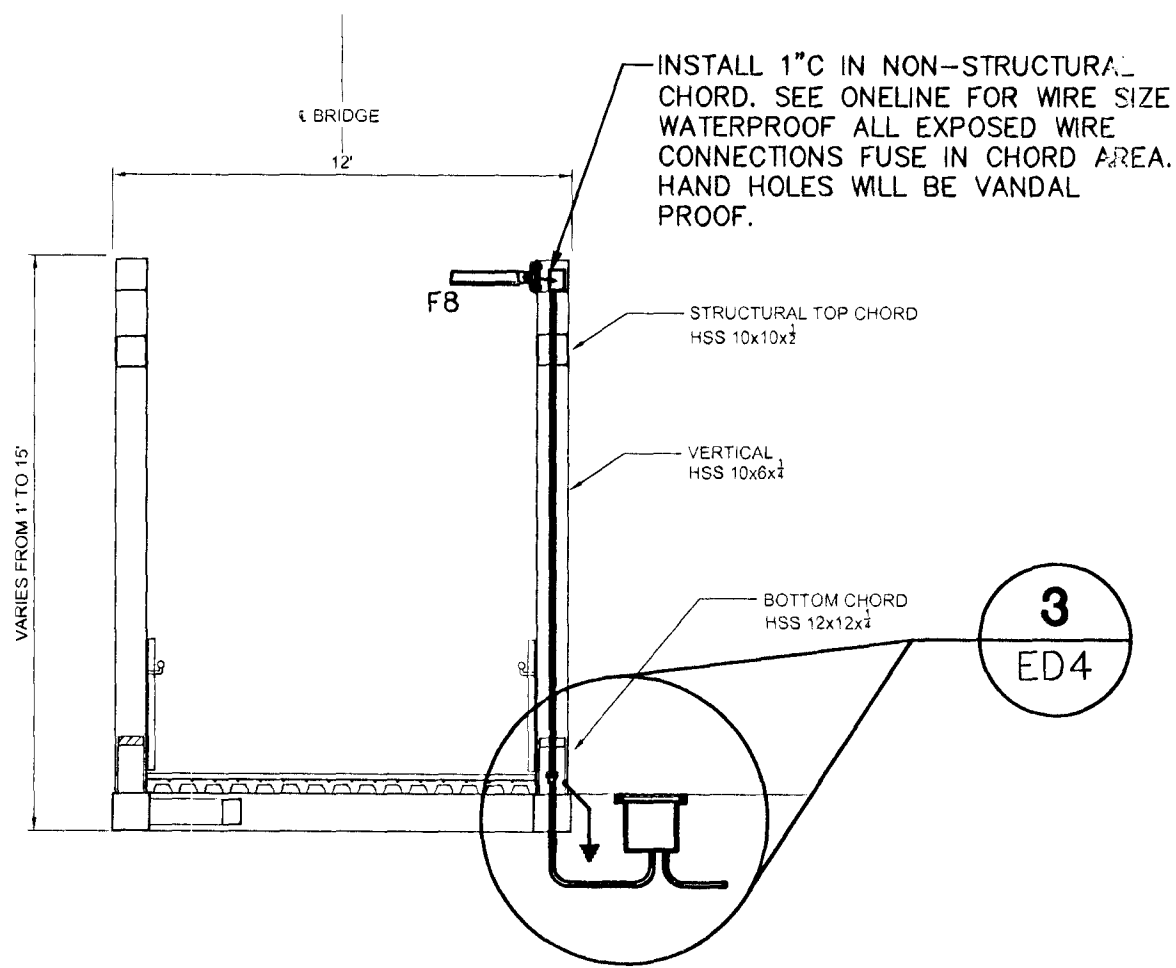


PHOTOMETRIC STATISTICS FOR PEDESTRIAN BRIDGE						
Description	Symbol	Avg	Max	Min	Max/Min	Avg/Min
Bridge	+	4.3 fc	10.4 fc	1.7 fc	8.1:1	2.5:1

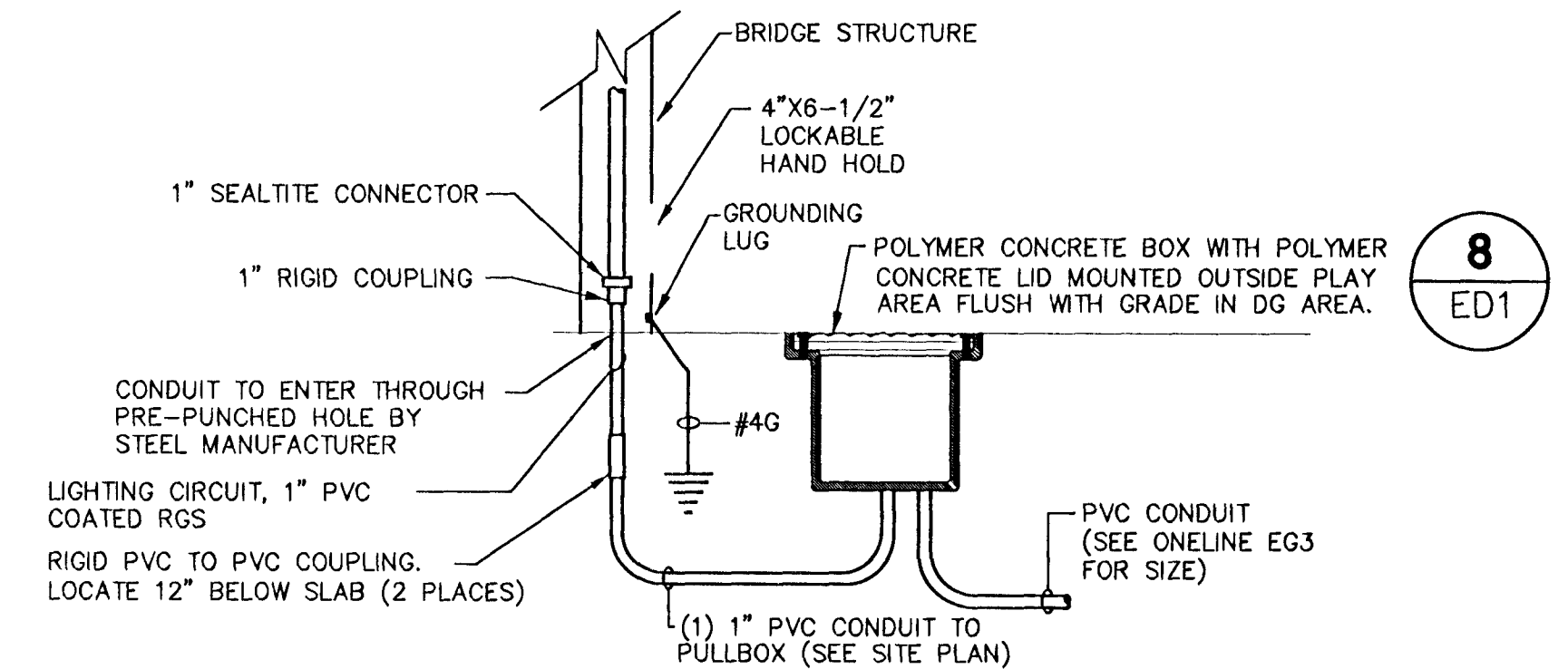


3 ED4 2 ED4
 INSTALL No. 5 PULLBOX
 SEE ONLINE ED3 AND DRAWING
 ES2 FOR CIRCUIT LOCATION,
 CONDUIT, AND CONDUCTOR SIZE

1 PEDESTRIAN BRIDGE FIXTURE LOCATIONS
 ED4 SCALE: 1"=10'-0"



2 PEDESTRIAN BRIDGE FIXTURE AND CONDUIT
 ED4 SCALE: 1"=3/16"



3 PULLBOX FOR BRIDGE
 ED4 NOT TO SCALE

THESE RECORD DOCUMENTS HAVE BEEN PREPARED BASED ON INFORMATION PROVIDED BY OTHERS. THE DESIGN PROFESSIONAL HAS NOT VERIFIED THE ACCURACY AND/OR COMPLETENESS OF THIS INFORMATION AND SHALL NOT BE RESPONSIBLE FOR ANY ERRORS OR OMISSIONS WHICH MAY BE INCORPORATED HEREIN AS A RESULT.



DEPARTMENT OF PUBLIC WORKS

SANDHILL OWENS PARK & TRAILHEAD
 LAS VEGAS, NEVADA
 ELECTRICAL DETAIL PLAN

REVISIONS						
CONSULTANT						
STAMP						
OWNER: CITY OF LAS VEGAS DEPARTMENT OF PUBLIC WORKS CAPITAL PROJECT MANAGEMENT SECTION						
400 EAST STEWART AVENUE LAS VEGAS, NEVADA 89101 PHONE: (702) 229-8535 FAX: (702) 384-8846 TDD: (702) 386-1108						
DRAWN						
FILE						
DATE	12/7/2008					
SCALE	NTS					
DWG NO	08.163411					
CLDWG NO						
SHT NO	ED4					

123216