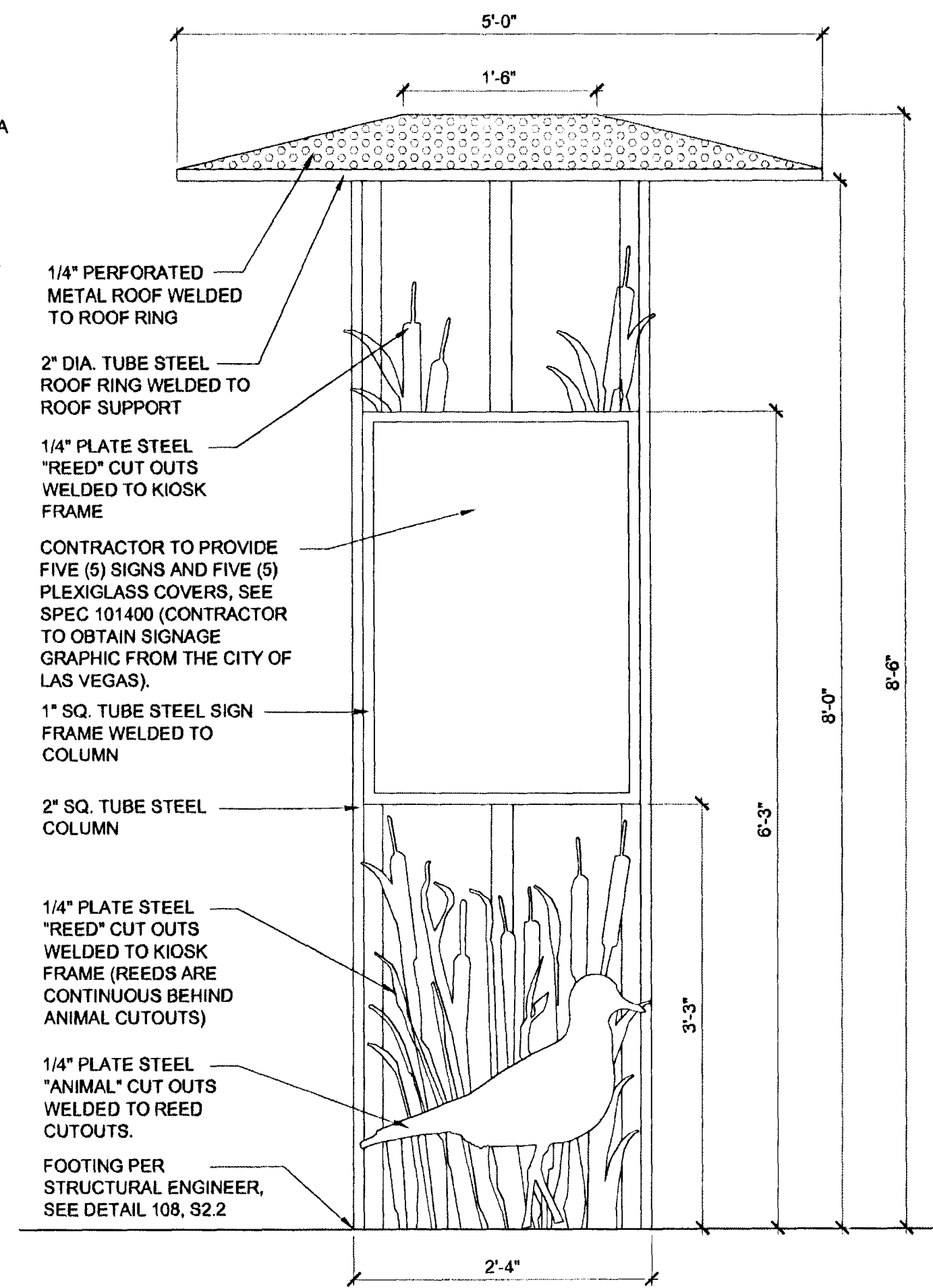


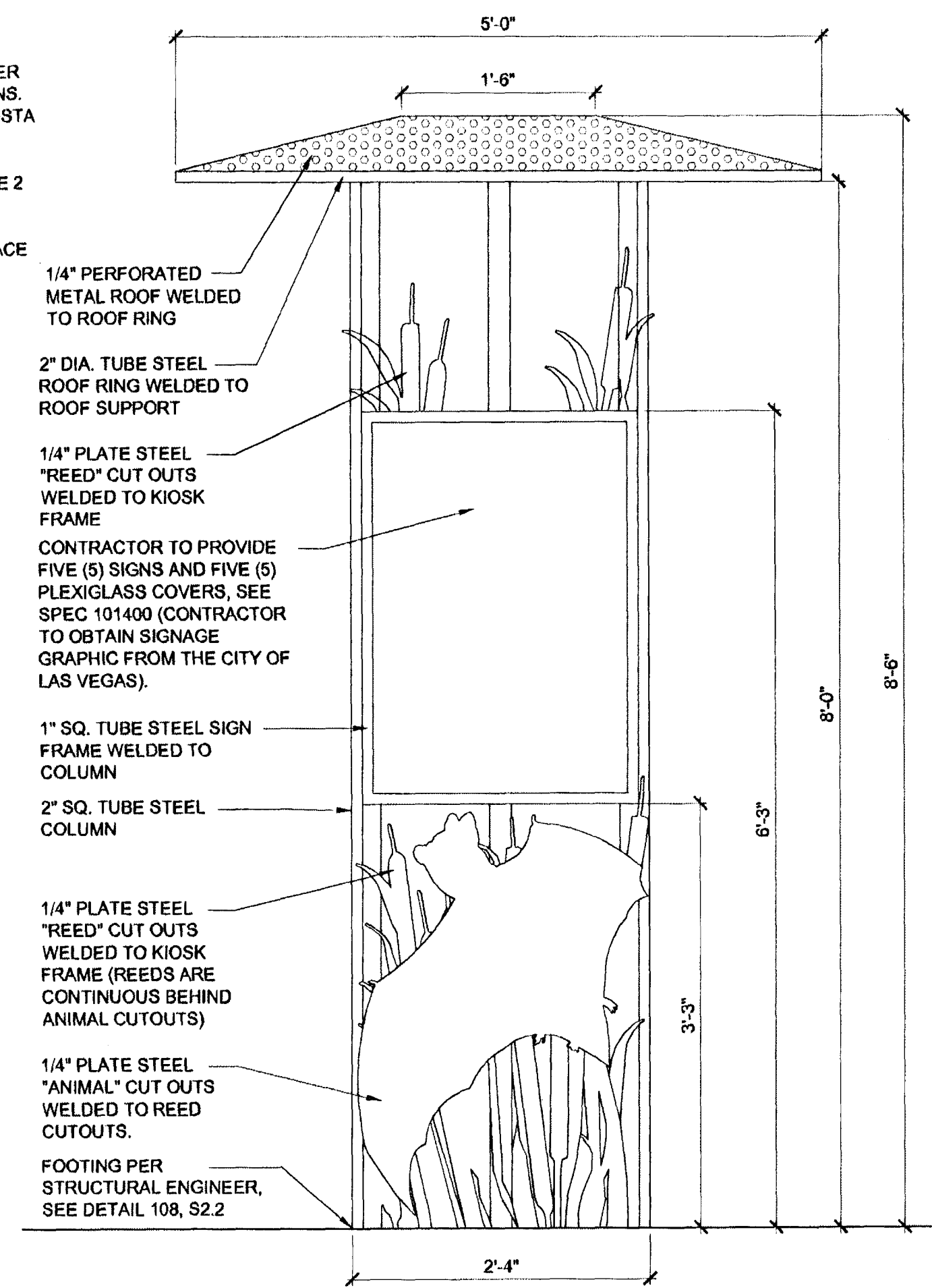
- KIOSK NOTES:**
1. GRIND ALL EDGES AND WELDS SMOOTH.
  2. ALL WELDS SHALL BE CONTINUOUS UNLESS NOTED.
  3. PROVIDE SHOP DWGS. TO IDENTIFY WELD SIZES, PIPE TYPE AND SIZES WITH I.D. AND O.D. DIMENSIONS PROPOSED BY CONTRACTOR.
  4. AUTOCAD DESIGN WILL BE MADE AVAILABLE AFTER CONTRACT IS AWARDED FOR THE PURPOSE OF LASER CUTTING "ANIMAL" AND "REED" DESIGNS.
  5. KIOSK SHALL BE PAINTED COLOR: VISTA PROTEC 9800, "RAINFOREST" #28, OR APPROVED EQUAL.
  6. ALL PAINTED SURFACES TO RECEIVE 2 COATS PRIMER (PRIMER TYPE AS RECOMMENDED BY PAINT MANUFACTURER FOR SPECIFIC SURFACE MATERIALS) AND 2 COATS PAINT.



**3 ENTRY KIOSK ELEVATION - SIDE 3**

NOT TO SCALE

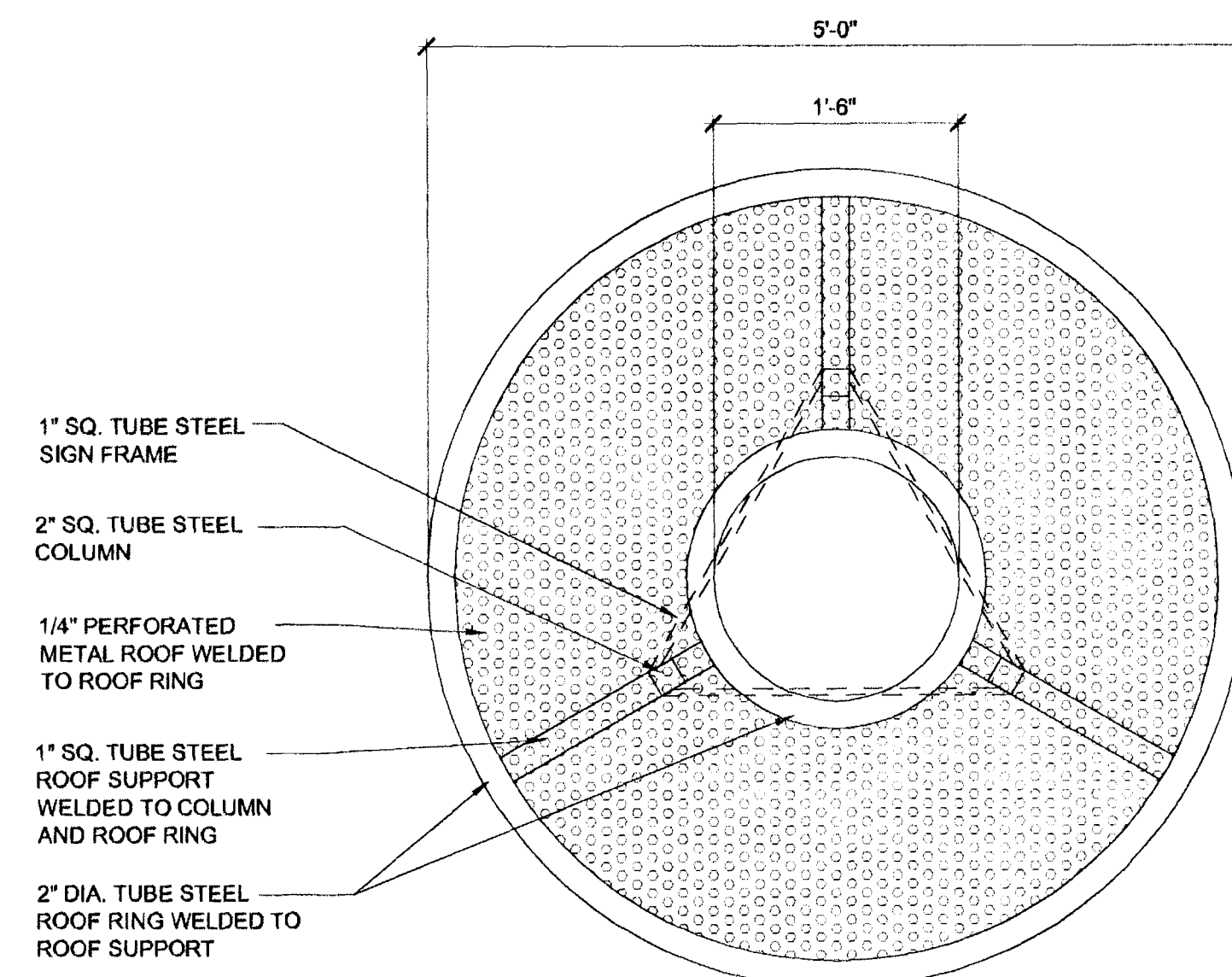
- KIOSK NOTES:**
1. GRIND ALL EDGES AND WELDS SMOOTH.
  2. ALL WELDS SHALL BE CONTINUOUS UNLESS NOTED.
  3. PROVIDE SHOP DWGS. TO IDENTIFY WELD SIZES, PIPE TYPE AND SIZES WITH I.D. AND O.D. DIMENSIONS PROPOSED BY CONTRACTOR.
  4. AUTOCAD DESIGN WILL BE MADE AVAILABLE AFTER CONTRACT IS AWARDED FOR THE PURPOSE OF LASER CUTTING "ANIMAL" AND "REED" DESIGNS.
  5. KIOSK SHALL BE PAINTED COLOR: VISTA PROTEC 9800, "RAINFOREST" #28, OR APPROVED EQUAL.
  6. ALL PAINTED SURFACES TO RECEIVE 2 COATS PRIMER (PRIMER TYPE AS RECOMMENDED BY PAINT MANUFACTURER FOR SPECIFIC SURFACE MATERIALS) AND 2 COATS PAINT.



**1 ENTRY KIOSK ELEVATION - SIDE 1**

NOT TO SCALE

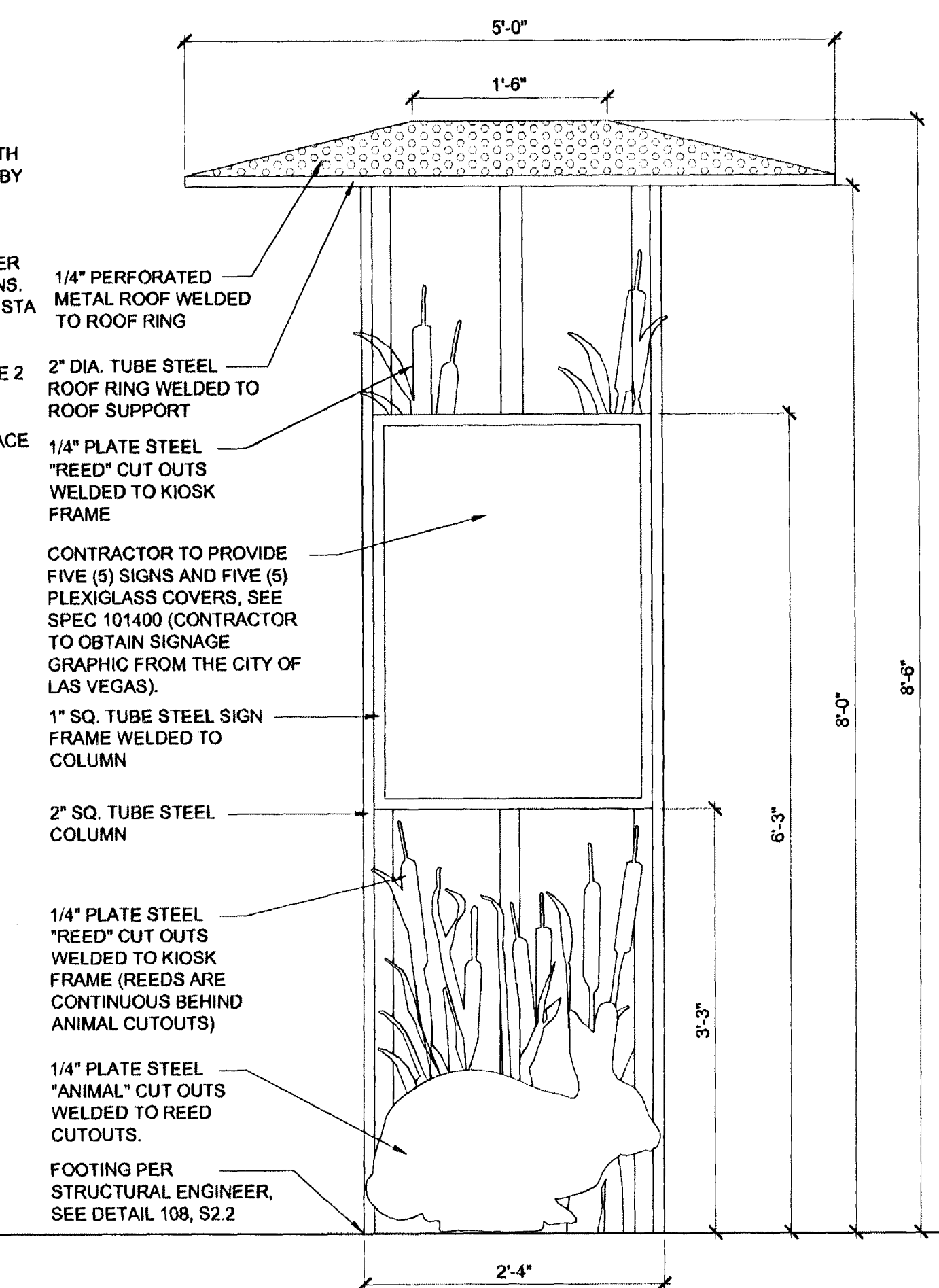
- KIOSK NOTES:**
1. GRIND ALL EDGES AND WELDS SMOOTH.
  2. ALL WELDS SHALL BE CONTINUOUS UNLESS NOTED.
  3. PROVIDE SHOP DWGS. TO IDENTIFY WELD SIZES, PIPE TYPE AND SIZES WITH I.D. AND O.D. DIMENSIONS PROPOSED BY CONTRACTOR.
  4. AUTOCAD DESIGN WILL BE MADE AVAILABLE AFTER CONTRACT IS AWARDED FOR THE PURPOSE OF LASER CUTTING "ANIMAL" AND "REED" DESIGNS.
  5. KIOSK SHALL BE PAINTED COLOR: VISTA PROTEC 9800, "RAINFOREST" #28, OR APPROVED EQUAL.
  6. ALL PAINTED SURFACES TO RECEIVE 2 COATS PRIMER (PRIMER TYPE AS RECOMMENDED BY PAINT MANUFACTURER FOR SPECIFIC SURFACE MATERIALS) AND 2 COATS PAINT.



**4 ENTRY KIOSK - PLAN VIEW**

NOT TO SCALE

- KIOSK NOTES:**
1. GRIND ALL EDGES AND WELDS SMOOTH.
  2. ALL WELDS SHALL BE CONTINUOUS UNLESS NOTED.
  3. PROVIDE SHOP DWGS. TO IDENTIFY WELD SIZES, PIPE TYPE AND SIZES WITH I.D. AND O.D. DIMENSIONS PROPOSED BY CONTRACTOR.
  4. AUTOCAD DESIGN WILL BE MADE AVAILABLE AFTER CONTRACT IS AWARDED FOR THE PURPOSE OF LASER CUTTING "ANIMAL" AND "REED" DESIGNS.
  5. KIOSK SHALL BE PAINTED COLOR: VISTA PROTEC 9800, "RAINFOREST" #28, OR APPROVED EQUAL.
  6. ALL PAINTED SURFACES TO RECEIVE 2 COATS PRIMER (PRIMER TYPE AS RECOMMENDED BY PAINT MANUFACTURER FOR SPECIFIC SURFACE MATERIALS) AND 2 COATS PAINT.



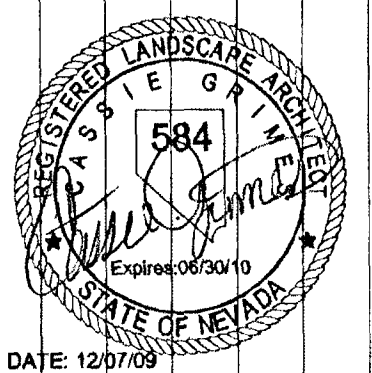
**2 ENTRY KIOSK ELEVATION - SIDE 2**

NOT TO SCALE



**Cardno WRG**  
 LAS VEGAS  
 1069 JEFFERSON ST., HENDERSON, NV 89002  
 TEL: (702) 384-8000 FAX: (702) 384-8006  
 www.cardnowrg.com  
 PLANNERS • ENGINEERS • LANDSCAPE ARCHITECTS • SURVEYORS

SANDHILL OWENS PARK & TRAILHEAD  
 LAS VEGAS, NEVADA



OWNER: CITY OF LAS VEGAS  
 DEPARTMENT OF PUBLIC WORKS  
 CAPITAL PROJECT MANAGEMENT SECTION

400 EAST STEWART AVENUE  
 LAS VEGAS, NEVADA 89101  
 PHONE: (702) 323-5335  
 FAX: (702) 384-4846  
 TDD: (702) 386-3108

DRAWN	06/29/11
FILE	02/08/11/17.01
DATE	12-07-2009
SCALE	AS NOTED
SID NO	09.1534.11
CLV DATE NO	650.104
SIT NO	

L1.16

DEPARTMENT OF PUBLIC WORKS

SITE DETAILS

12.5321