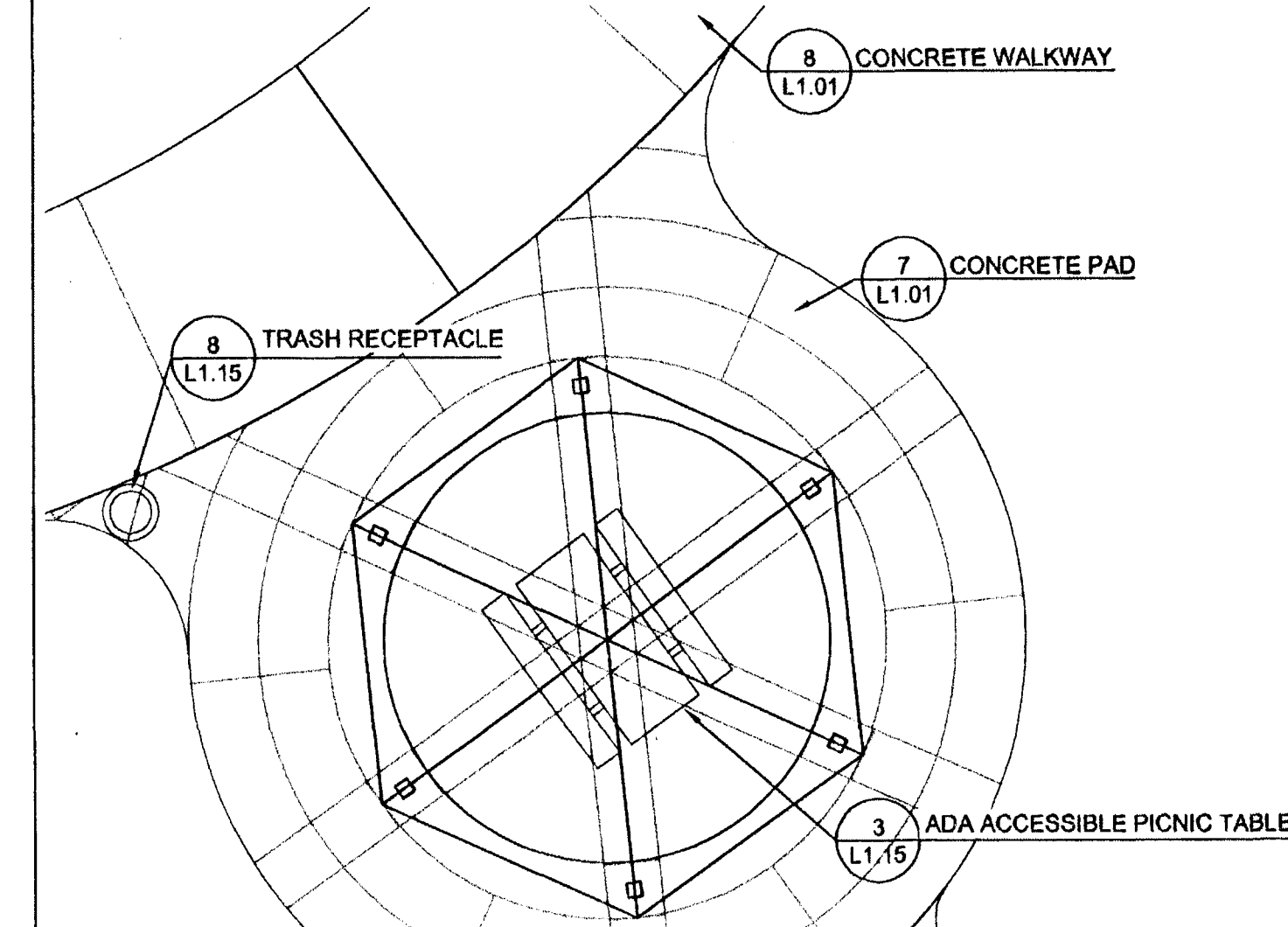
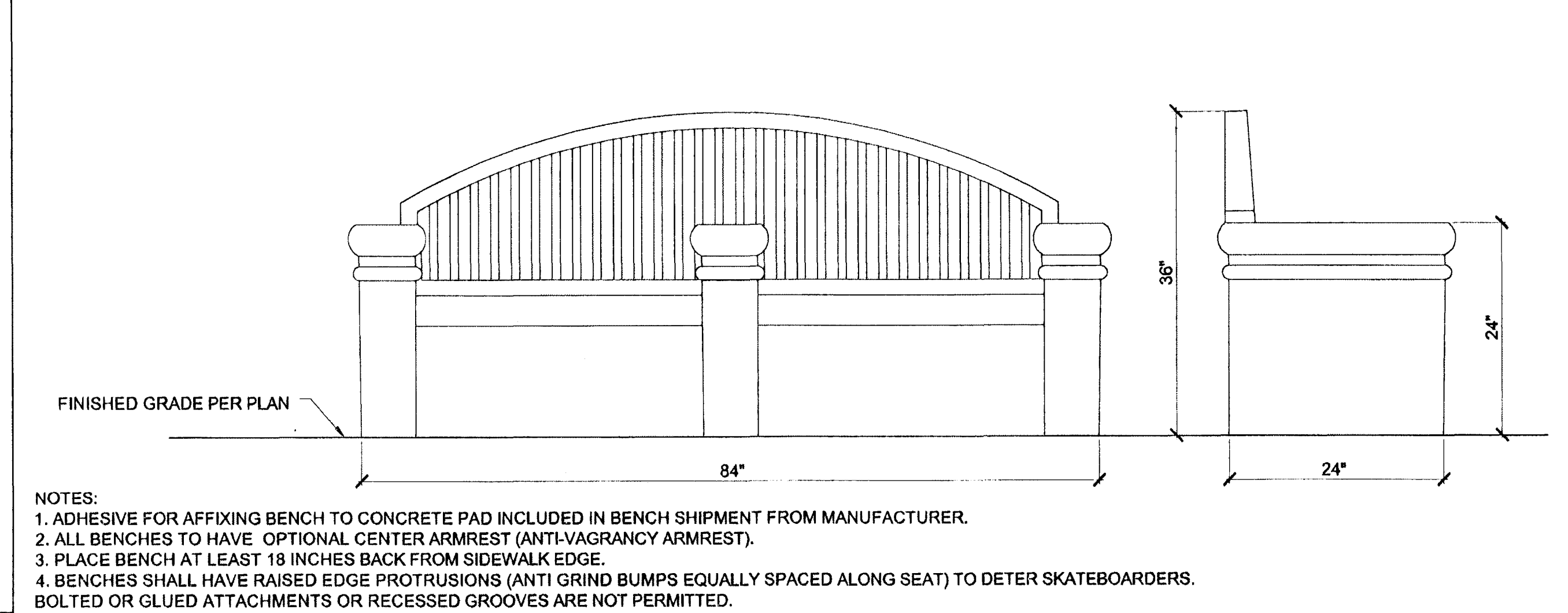
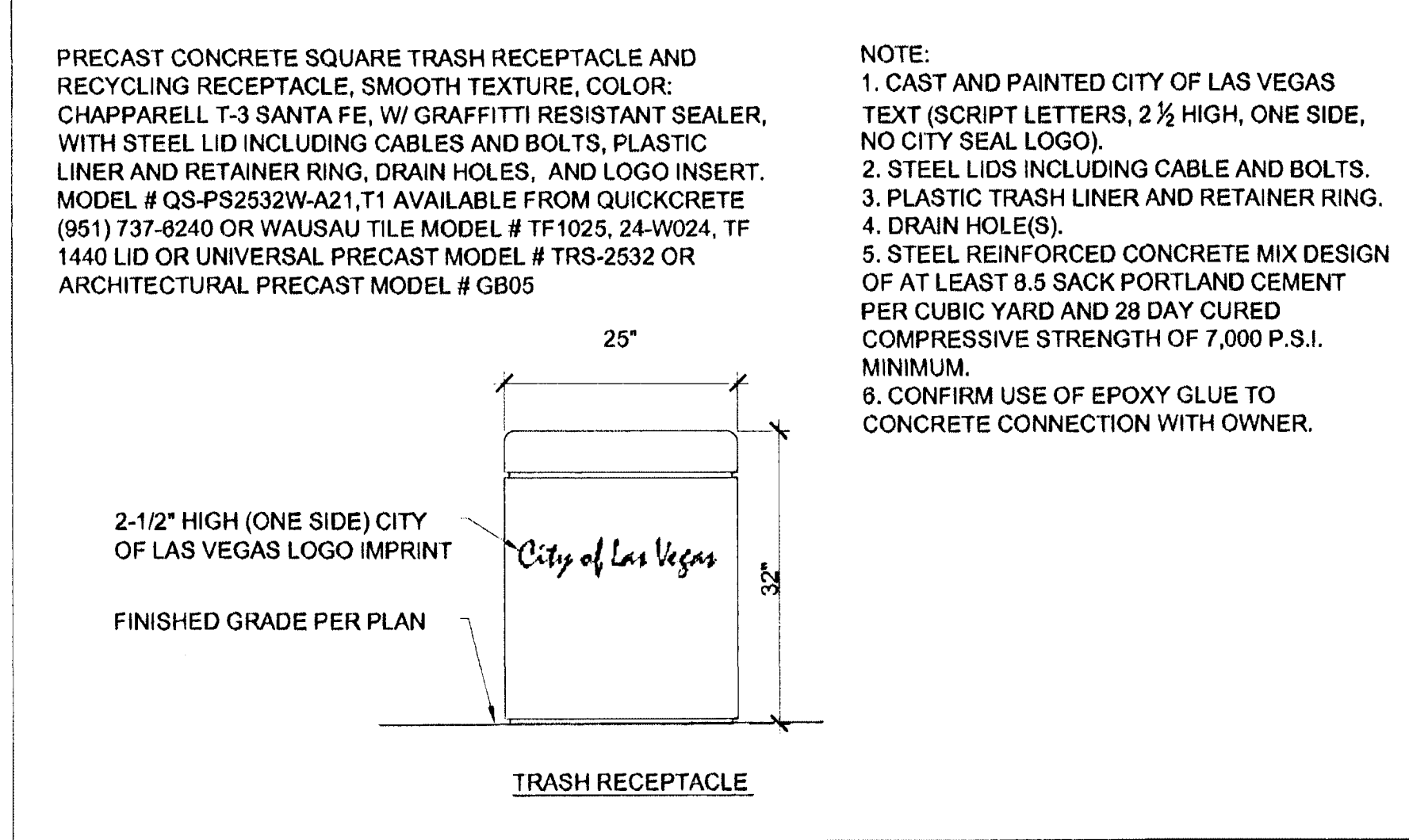


7 SETUP TABLE NOT TO SCALE

4 GROUP GRILL NOT TO SCALE

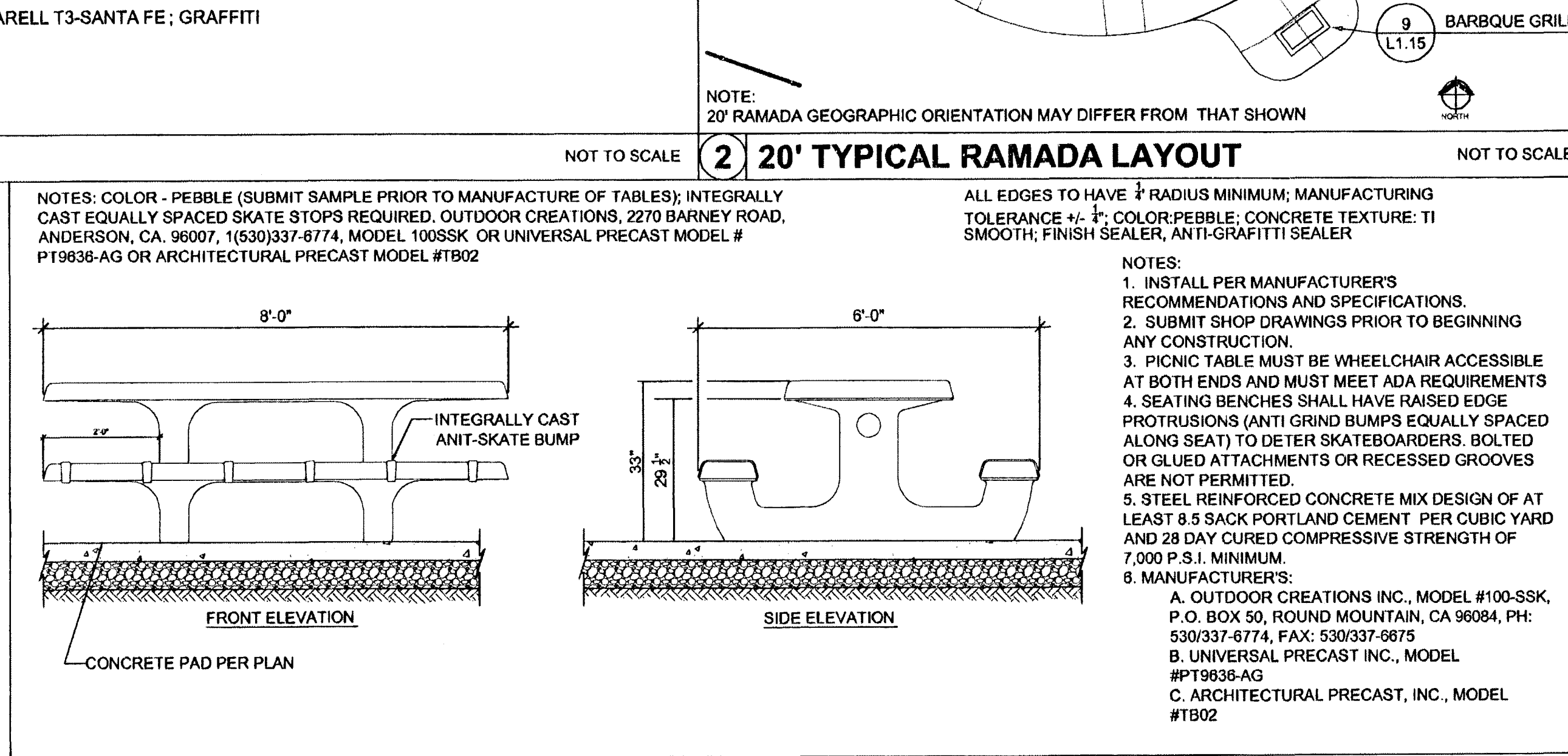
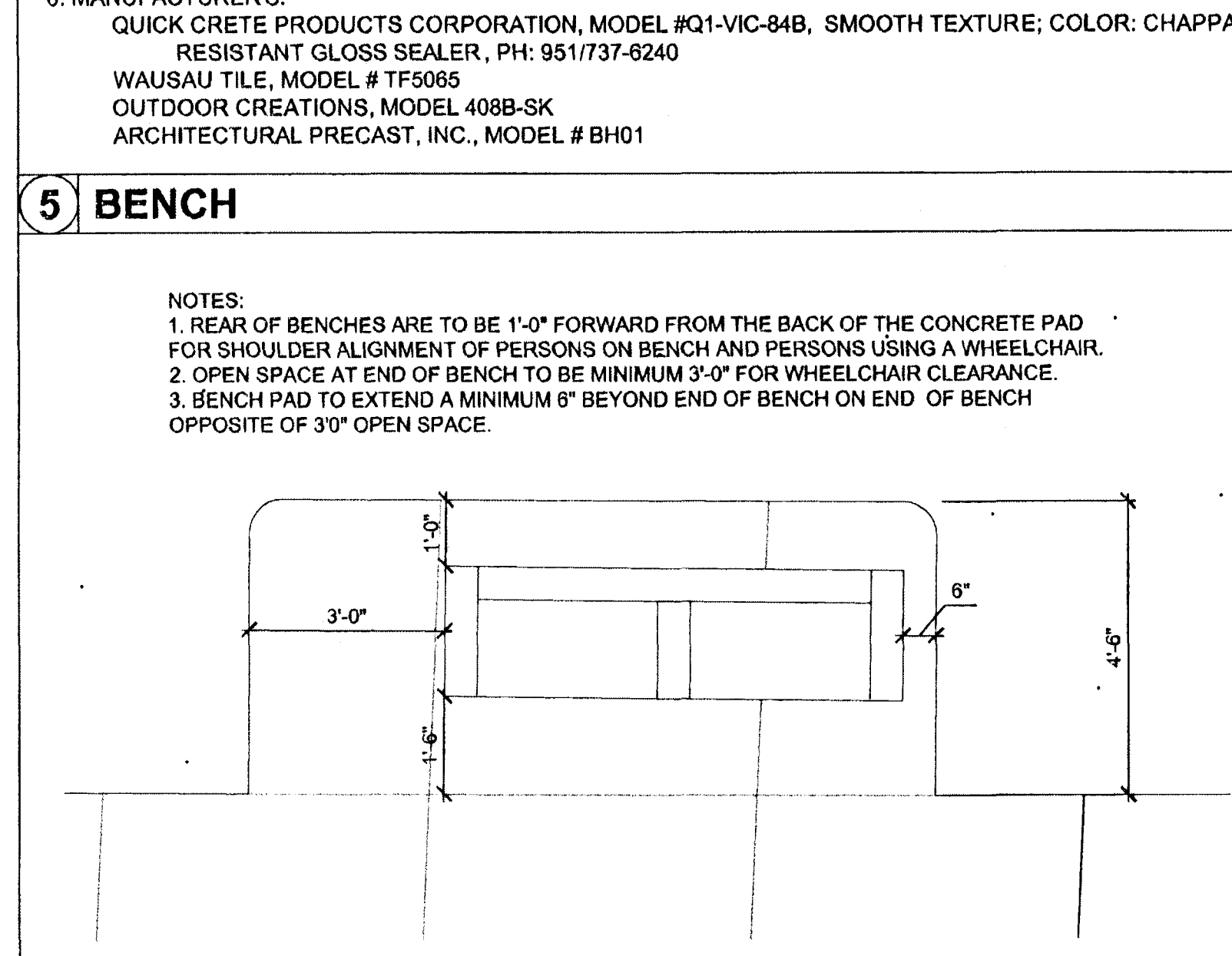
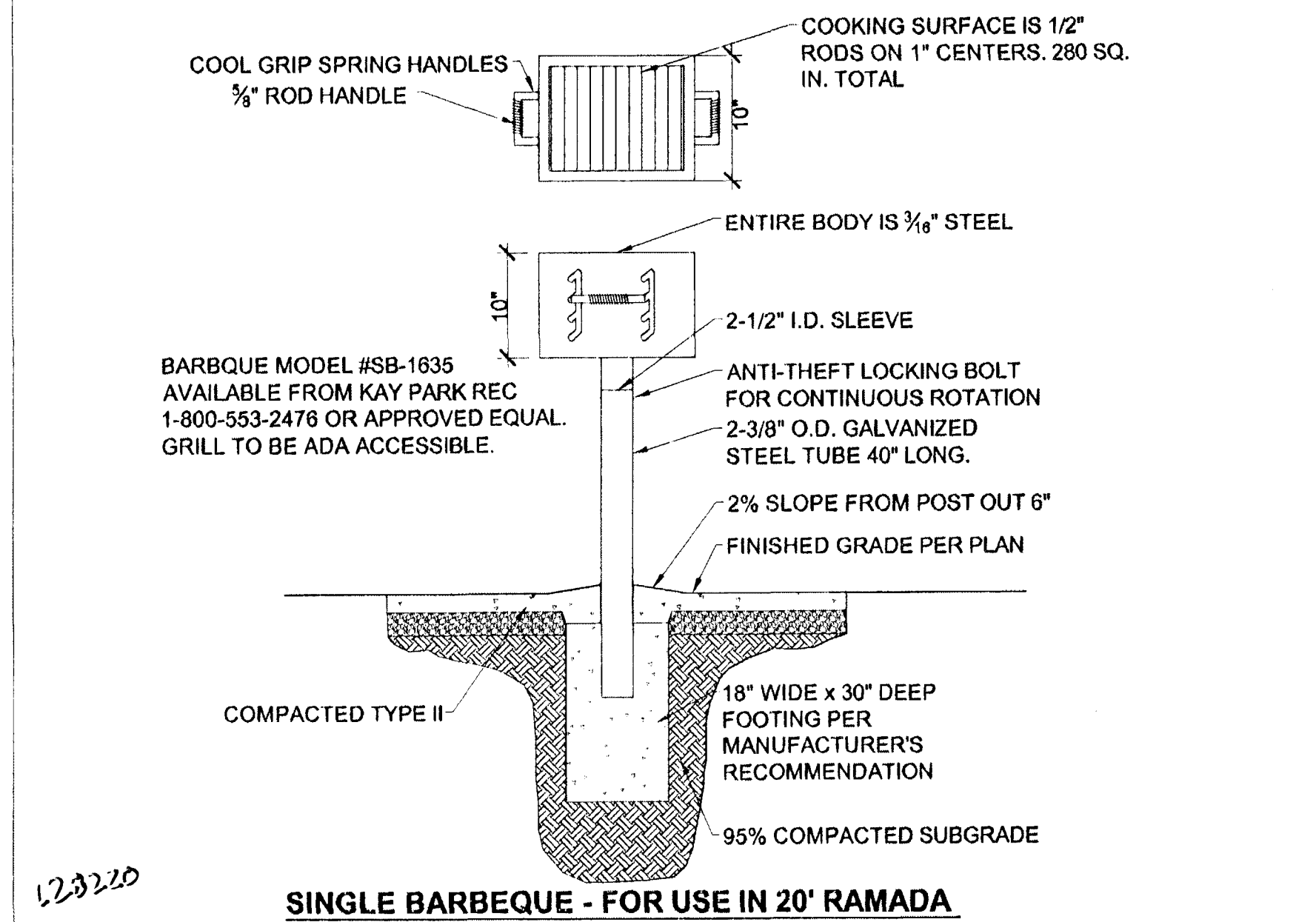
1 32' RAMADA LAYOUT NOT TO SCALE



8 TRASH RECEPTACLE NOT TO SCALE

5 BENCH NOT TO SCALE

2 20' TYPICAL RAMADA LAYOUT NOT TO SCALE



9 SINGLE BARBEQUE GRILL NOT TO SCALE

6 BENCH AREA LAYOUTS NOT TO SCALE

3 ADA ACCESSIBLE PICNIC TABLE NOT TO SCALE



Cardno WRG

LAS VEGAS

10649 JEFFREYS ST. HENDERSON, NV 89002

TEL: (702) 960-6800 FAX: (702) 960-6805

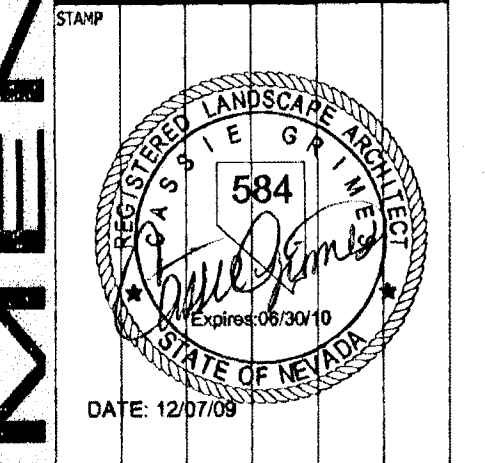
www.cardnowr.com

PLANNERS - ENGINEERS - LANDSCAPE ARCHITECTS - SURVEYORS

SANDHILL OUEENS PARK & TRAILHEAD

LAS VEGAS, NEVADA

SITE DETAILS



OWNER: CITY OF LAS VEGAS
DEPARTMENT OF PUBLIC WORKS
CAPITAL PROJECT MANAGEMENT SECTION

400 EAST STEWART AVENUE
LAS VEGAS, NEVADA 89101
PHONE: (702) 229-5535
FAX: (702) 386-4848
TDD: (702) 386-3108

DATE: 12/07/09

100% SUBMITTAL

FILE	CLV387937.01
DATE	12-07-2009
SCALE	AS NOTED
BID NO	091534E.11
CLV DWG NO	558.104
SITING	

L1.15