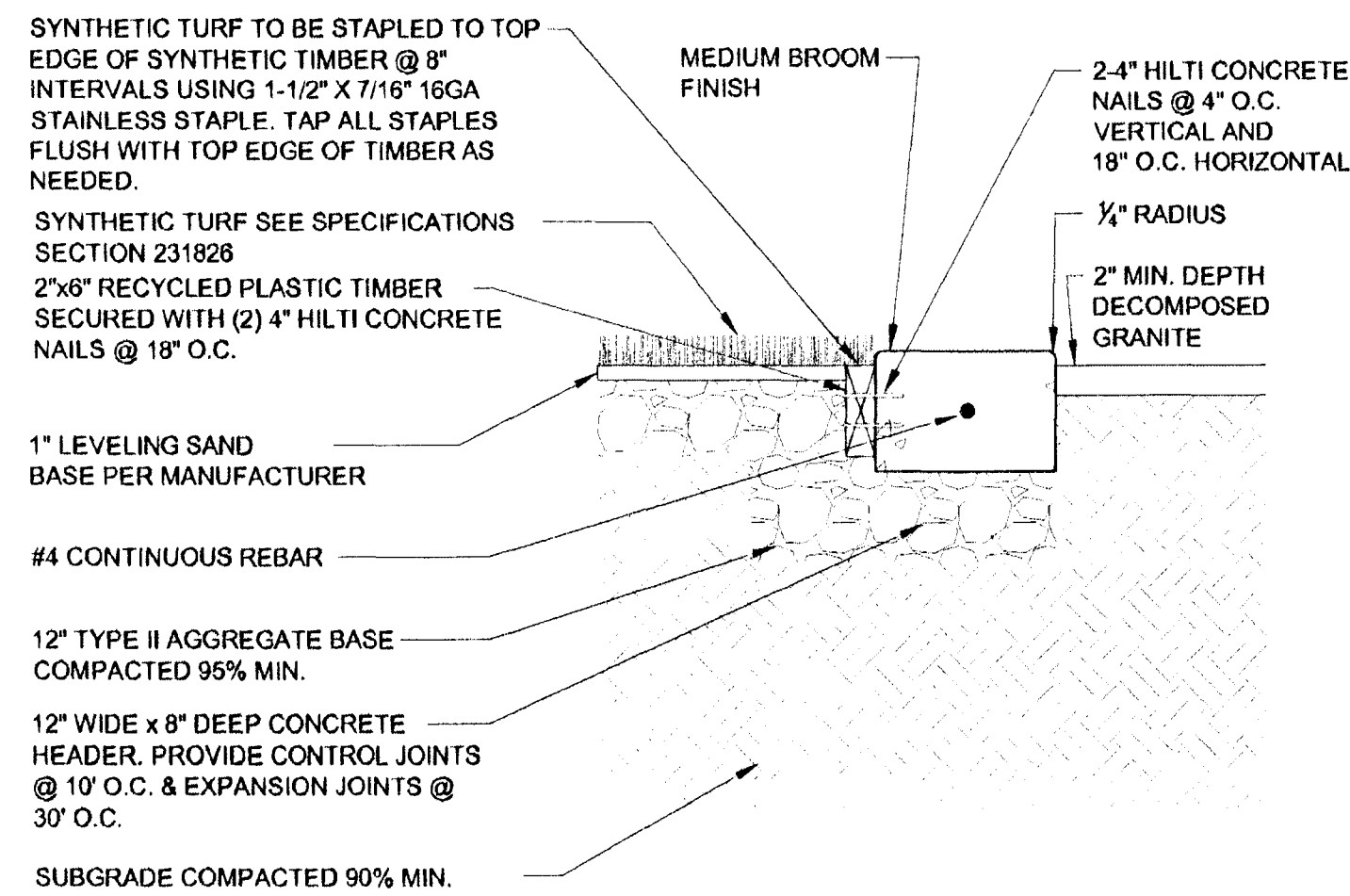
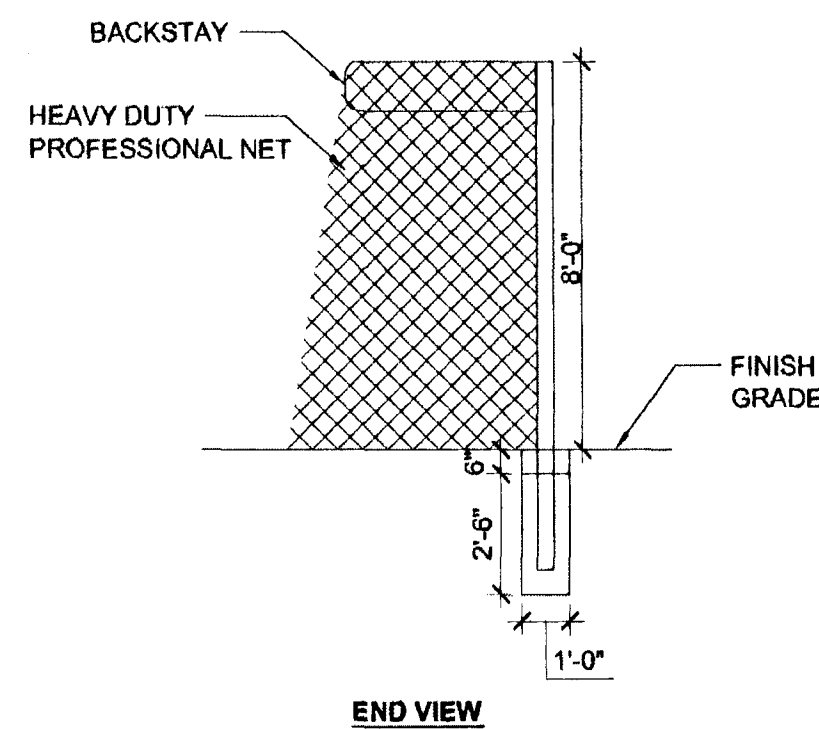
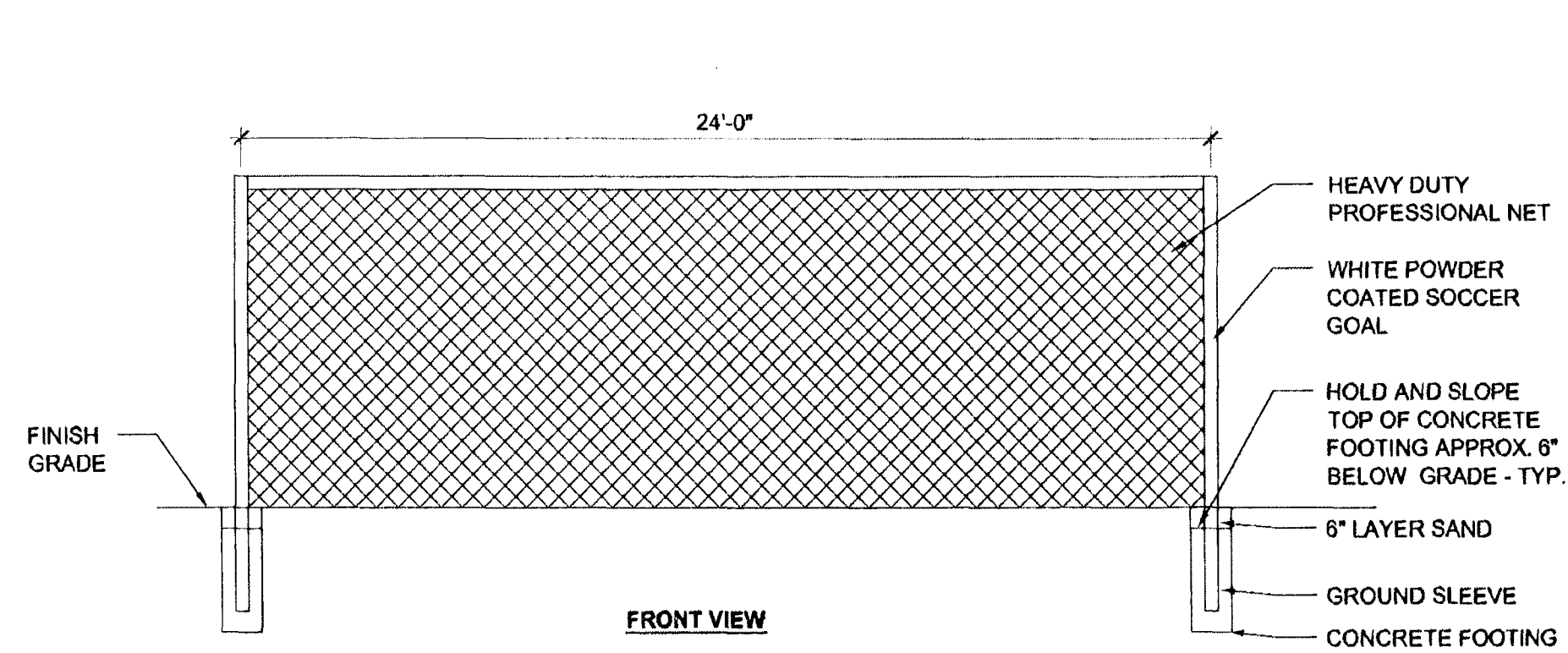


SECTION AT SOCCER BALL STOP NET

4 12" CONCRETE HEADER UNDER POST NOT TO SCALE

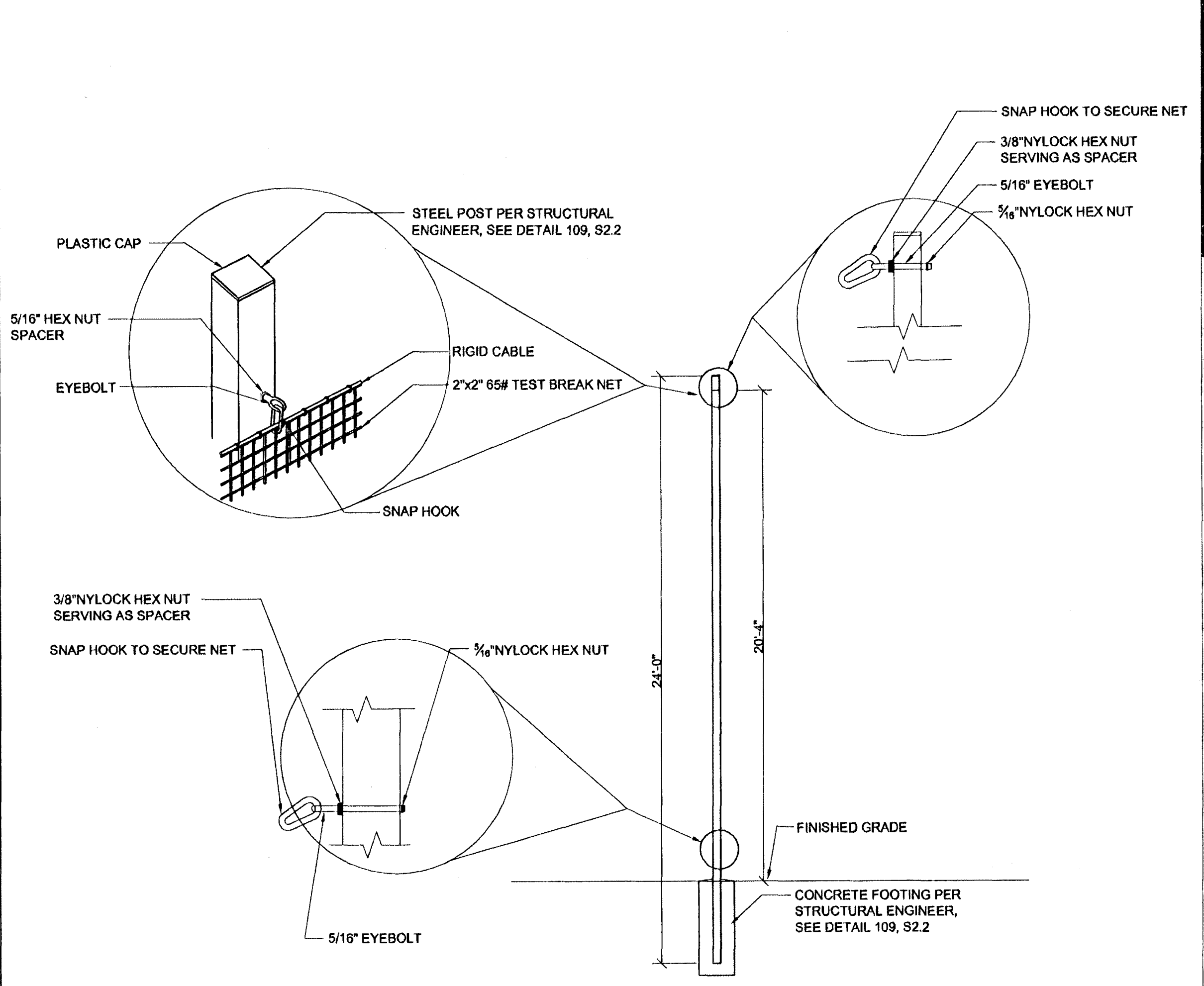


5 12" X 8" CONC. HEADER NOT TO SCALE

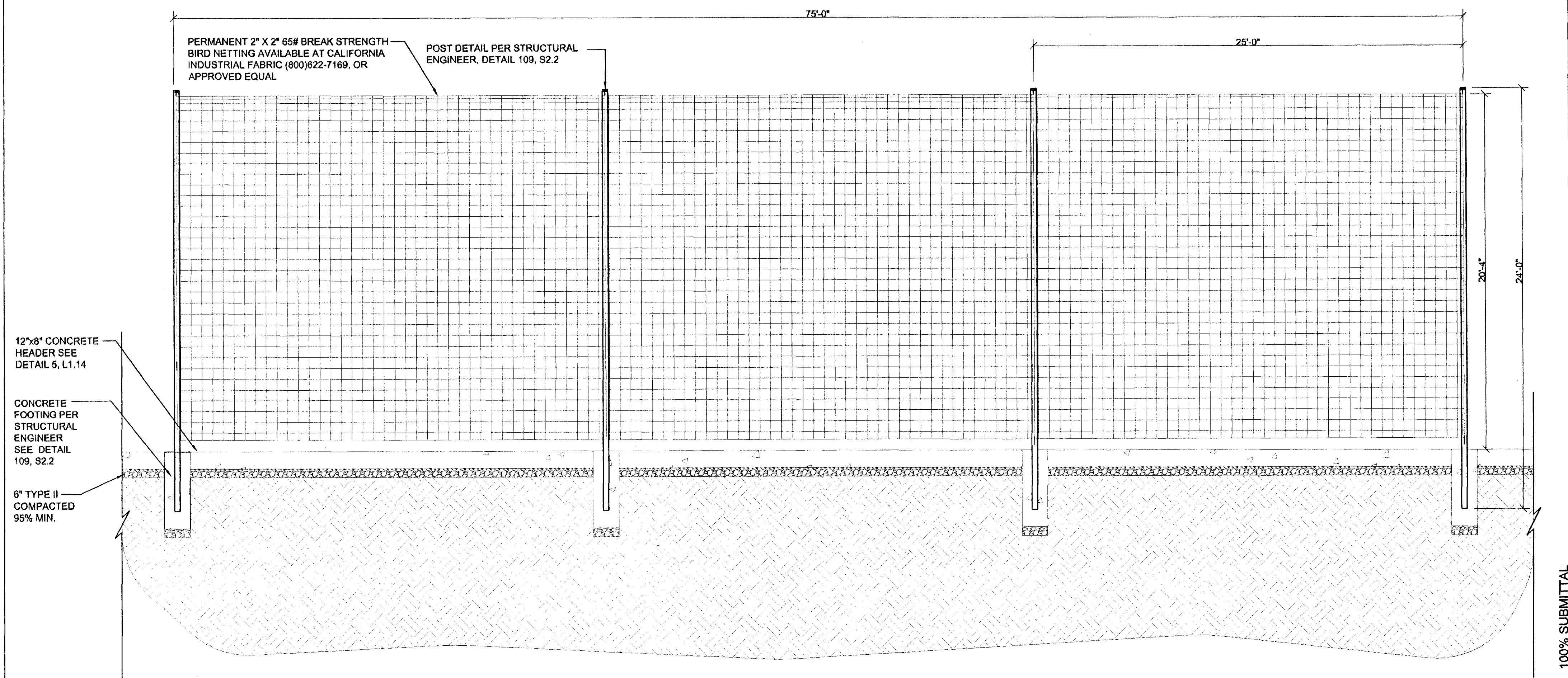


MANUFACTURER INFORMATION: SCOREMASTER P-2400-PC GOAL WITH OPTIONAL SM-NR-000 NET RACKS AND OPTIONAL SM-HD-NET-DM24PKG NET. PH: 1-888-728-7827 OR BISON SHOOT OUT SC2480GA GOAL WITH OPTIONAL SC02BS BACKSTAYS AND OPTIONAL SC44S GROUND SLEEVES (2 PER GOAL) AND OPTIONAL SC100N NET. PH: 1-800-247-7668 OR APPROVED EQUAL.

2 PERMANENT SOCCER GOAL SCALE: 1" = 1'-0"



1 PERMANENT BALL STOP NET POST AND CAP DETAIL SCALE: 1" = 1'-0"



3 PERMANENT BALL STOP NET ELEVATION SCALE: 1/4" = 1'-0"



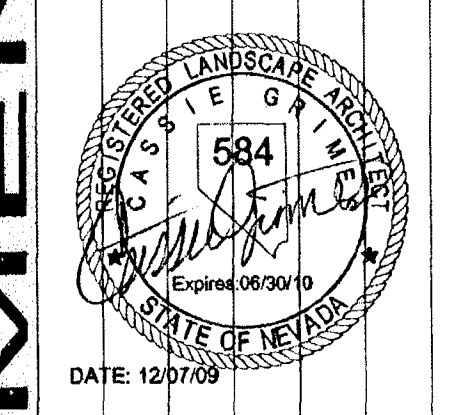
Cardno WRG

LAS VEGAS
10619 JEFFREYS ST., HENDERSON, NV 89052
TEL: (702) 860-8300 FAX: (702) 860-8305
www.cardnowr.com

PLANNERS • ENGINEERS • LANDSCAPE ARCHITECTS • SURVEYORS

SANDHILL OWENS PARK & TRAILHEAD
LAS VEGAS, NEVADA

SITE DETAILS



OWNER: CITY OF LAS VEGAS
DEPARTMENT OF PUBLIC WORKS
CAPITAL PROJECT MANAGEMENT SECTION

400 EAST STUART AVENUE LAS VEGAS, NEVADA 89101	DATE	12-07-2009
PHONE: (702) 229-6535	SCALE	AS NOTED
FAX: (702) 384-8846	DWG NO	09-15341-11
TDD: (702) 386-9108	CLV DWG NO	550.104
DRAWN	CGP/PL	
FILE	CLV060937.01	

100% SUBMITTAL

SHEET NO
L1.14

12-30-09