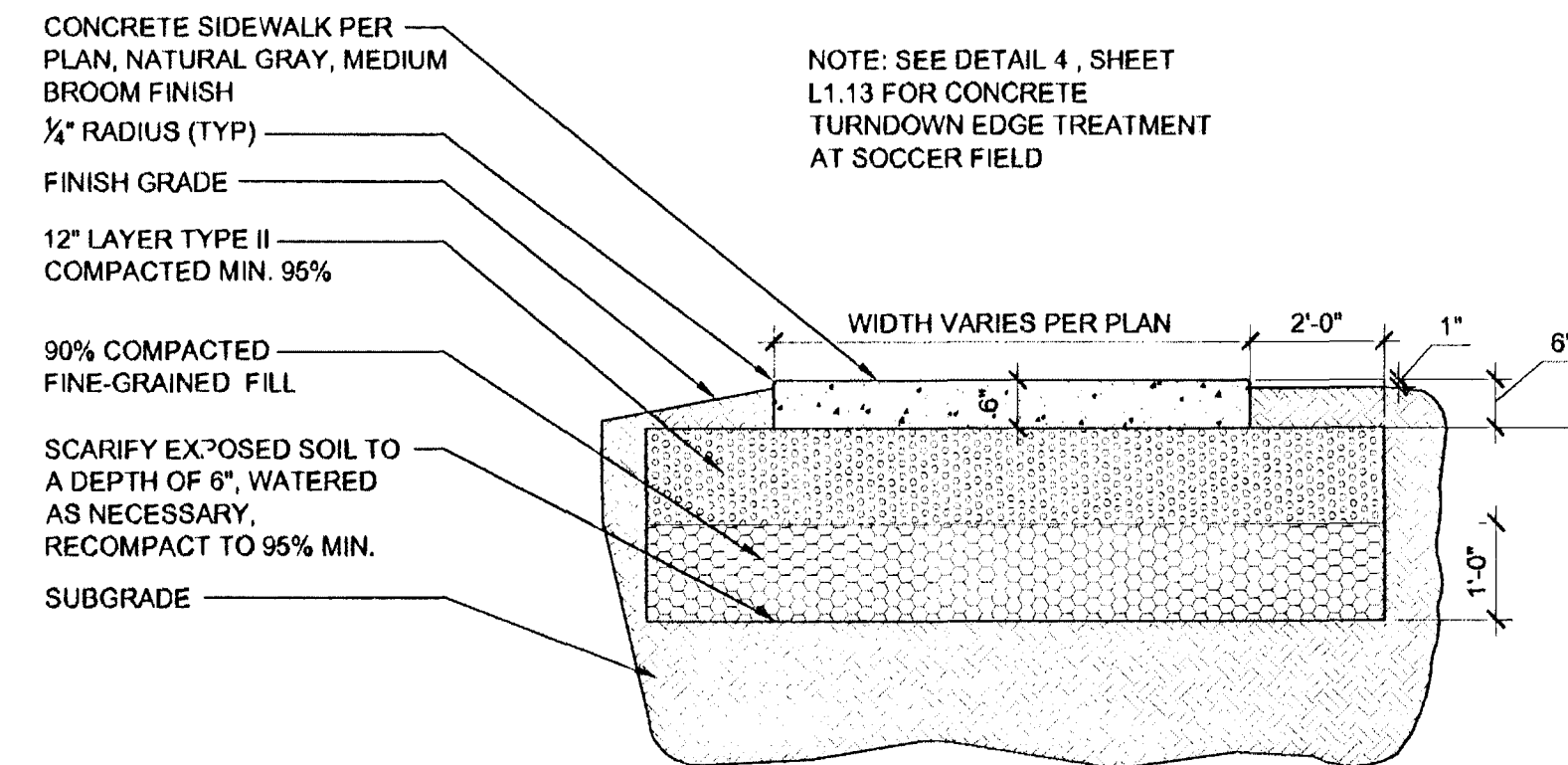


- CONCRETE SIDEWALK PER PLAN, NATURAL GRAY, MEDIUM BROOM FINISH
 1/2" RADIUS (TYP)
 FINISH GRADE
 12" LAYER TYPE II COMPACTED MIN. 95%
 90% COMPACTED FINE-GRAINED FILL
 SCARIFY EXPOSED SOIL TO A DEPTH OF 6", WATERED AS NECESSARY, RECOMPACT TO 95% MIN.
 SUBGRADE
- NOTES:
 1. REMOVE UNCONTROLLED FILL. FILL IS CONSIDERED UNCONTROLLED FILL UNLESS OBSERVATION AND TESTING WAS PERFORMED DURING PLACEMENT. ALL UNCONTROLLED FILL SHOULD BE REMOVED AND REPLACED WITH PROPERLY COMPACTED FILL.
 2. FOR THE PURPOSE OF COMPACTION FINE-GRAINED SOILS ARE SOILS WITH AT LEAST 30% PASSING THE NO. 200 SIEVE AND/OR HAVING EXPANSION GREATER THAN 4%.
 3. FILL SHOULD BE PLACED IN LOOSE LIFTS NOT TO EXCEED 12" IN THICKNESS.
 4. IN AREAS TO BE PAVED (INCLUDING ADJOINING SIDEWALKS, PATIOS AND OTHER CONCRETE SLABS) AND AT LEAST 2 FEET BEYOND IN PLAN VIEW, IT WILL BE NECESSARY TO OVEREXCAVATE AND RECOMPACT 2 FEET OF NATURAL SOILS BELOW EXISTING GRADE OR FINAL SUBGRADE, WHICHEVER IS LOWER.
 5. IT IS IMPORTANT THAT THE LOWER PORTION (AT LEAST 2 FEET IN STRUCTURE AREAS AND 1 FOOT IN PAVED AREAS) OF THE FILL MATERIAL PLACED IN THE OVEREXCAVATED AREA CONSIST OF THE ON-SITE FINE-GRAINED SOILS THAT ARE EXCAVATED. THIS LAYER WILL ACT AS A RELATIVELY IMPERMEABLE BLANKET AND HELP KEEP MOISTURE FROM REACHING ANY POROUS MATERIAL BELOW. IF POROUS SOILS BELOW THE COMPACTED FILL EXPERIENCE AN INCREASE IN MOISTURE, ADDITIONAL SETTLEMENT MAY OCCUR.

7 4" CONCRETE WALKWAY

NOT TO SCALE

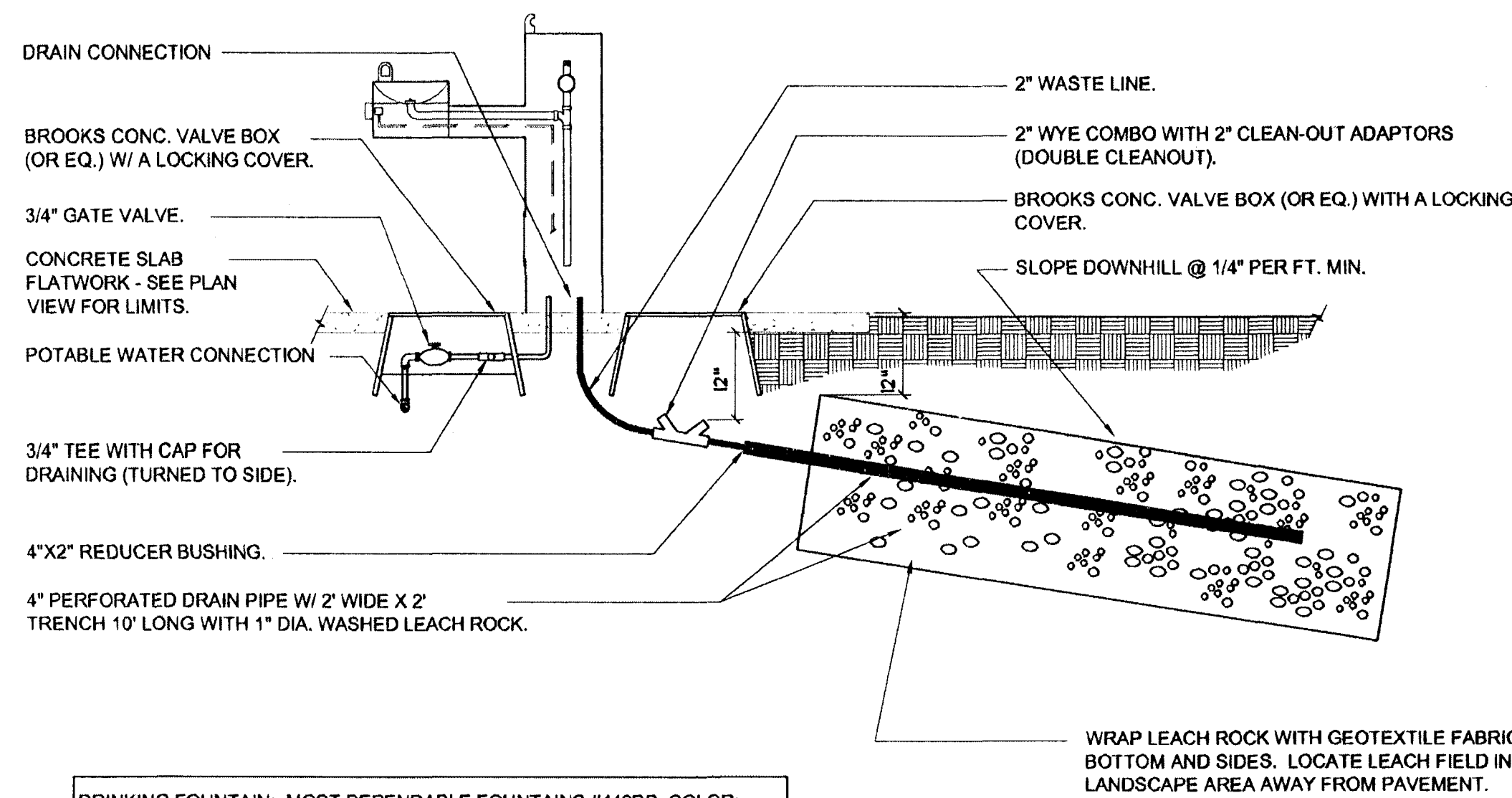


- CONCRETE SIDEWALK PER PLAN, NATURAL GRAY, MEDIUM BROOM FINISH
 1/2" RADIUS (TYP)
 FINISH GRADE
 12" LAYER TYPE II COMPACTED MIN. 95%
 90% COMPACTED FINE-GRAINED FILL
 SCARIFY EXPOSED SOIL TO A DEPTH OF 6", WATERED AS NECESSARY, RECOMPACT TO 95% MIN.
 SUBGRADE
- NOTE: SEE DETAIL 4, SHEET L1.13 FOR CONCRETE TURNDOWN EDGE TREATMENT AT SOCCER FIELD
- NOTES:
 1. REMOVE UNCONTROLLED FILL. FILL IS CONSIDERED UNCONTROLLED FILL UNLESS OBSERVATION AND TESTING WAS PERFORMED DURING PLACEMENT. ALL UNCONTROLLED FILL SHOULD BE REMOVED AND REPLACED WITH PROPERLY COMPACTED FILL.
 2. FOR THE PURPOSE OF COMPACTION FINE-GRAINED SOILS ARE SOILS WITH AT LEAST 30% PASSING THE NO. 200 SIEVE AND/OR HAVING EXPANSION GREATER THAN 4%.
 3. FILL SHOULD BE PLACED IN LOOSE LIFTS NOT TO EXCEED 12" IN THICKNESS.
 4. IN AREAS TO BE PAVED (INCLUDING ADJOINING SIDEWALKS, PATIOS AND OTHER CONCRETE SLABS) AND AT LEAST 2 FEET BEYOND IN PLAN VIEW, IT WILL BE NECESSARY TO OVEREXCAVATE AND RECOMPACT 2 FEET OF NATURAL SOILS BELOW EXISTING GRADE OR FINAL SUBGRADE, WHICHEVER IS LOWER.
 5. IT IS IMPORTANT THAT THE LOWER PORTION (AT LEAST 2 FEET IN STRUCTURE AREAS AND 1 FOOT IN PAVED AREAS) OF THE FILL MATERIAL PLACED IN THE OVEREXCAVATED AREA CONSIST OF THE ON-SITE FINE-GRAINED SOILS THAT ARE EXCAVATED. THIS LAYER WILL ACT AS A RELATIVELY IMPERMEABLE BLANKET AND HELP KEEP MOISTURE FROM REACHING ANY POROUS MATERIAL BELOW. IF POROUS SOILS BELOW THE COMPACTED FILL EXPERIENCE AN INCREASE IN MOISTURE, ADDITIONAL SETTLEMENT MAY OCCUR.

8 6" CONCRETE WALKWAY (at vehicle access areas)

NOT TO SCALE

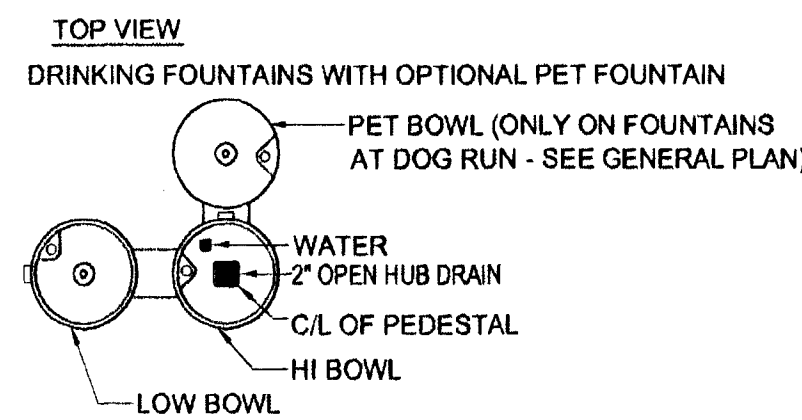
12-3-2016



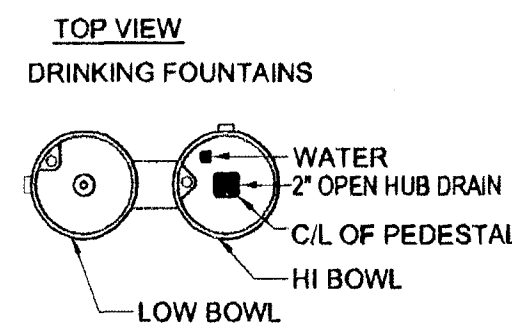
DRINKING FOUNTAIN: MOST DEPENDABLE FOUNTAINS #440DB, COLOR: GREEN, (800) 552-8331, OR APPROVED EQUAL - SEE SPEC. SECTION 129300

3 DRINKING FOUNTAIN

NOT TO SCALE

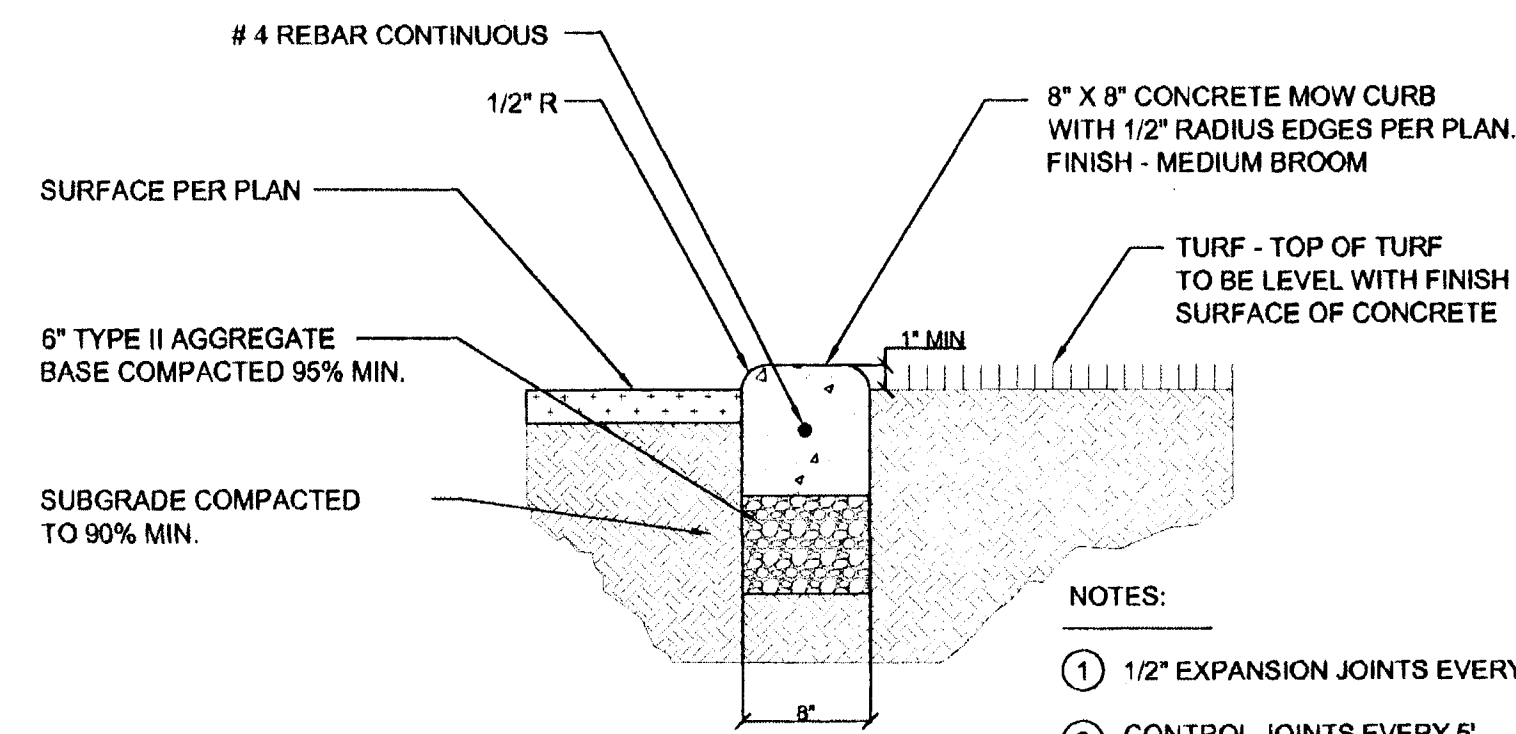


- NOTES:
 1. OPTIONAL PET FOUNTAIN TO BE USED ONLY AT DRINKING FOUNTAIN AT DOG RUN AREA.
 2. COLOR TO BE GREEN POWDER COAT FINISH
 3. INSTALL PET FOUNTAIN PER MANUFACTURER'S INSTALLATION INSTRUCTIONS.



4 DRINKING FOUNTAIN PLAN VIEW

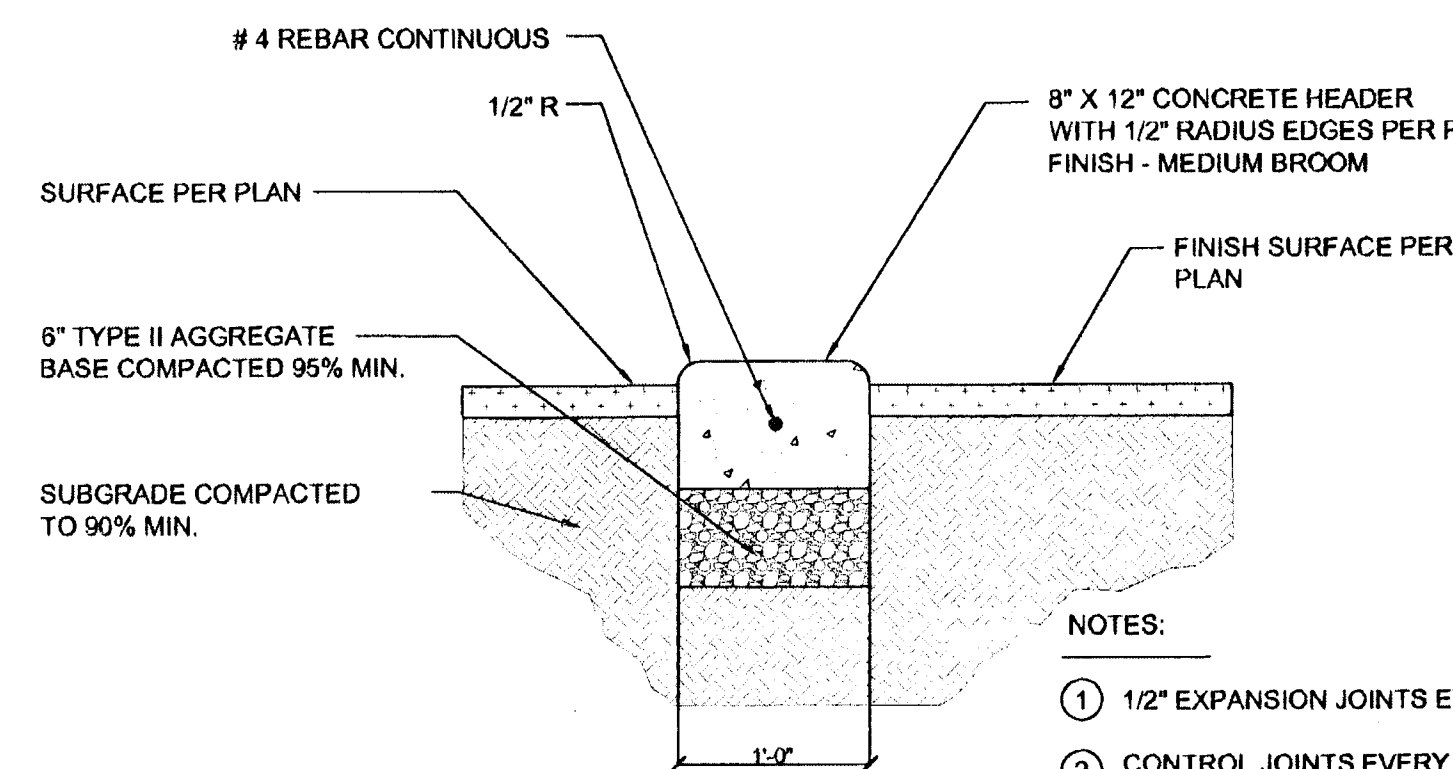
NOT TO SCALE



- NOTES:
 1. 1/2" EXPANSION JOINTS EVERY 30"
 2. CONTROL JOINTS EVERY 5"

5 8" X 8" MOW CURB

NOT TO SCALE

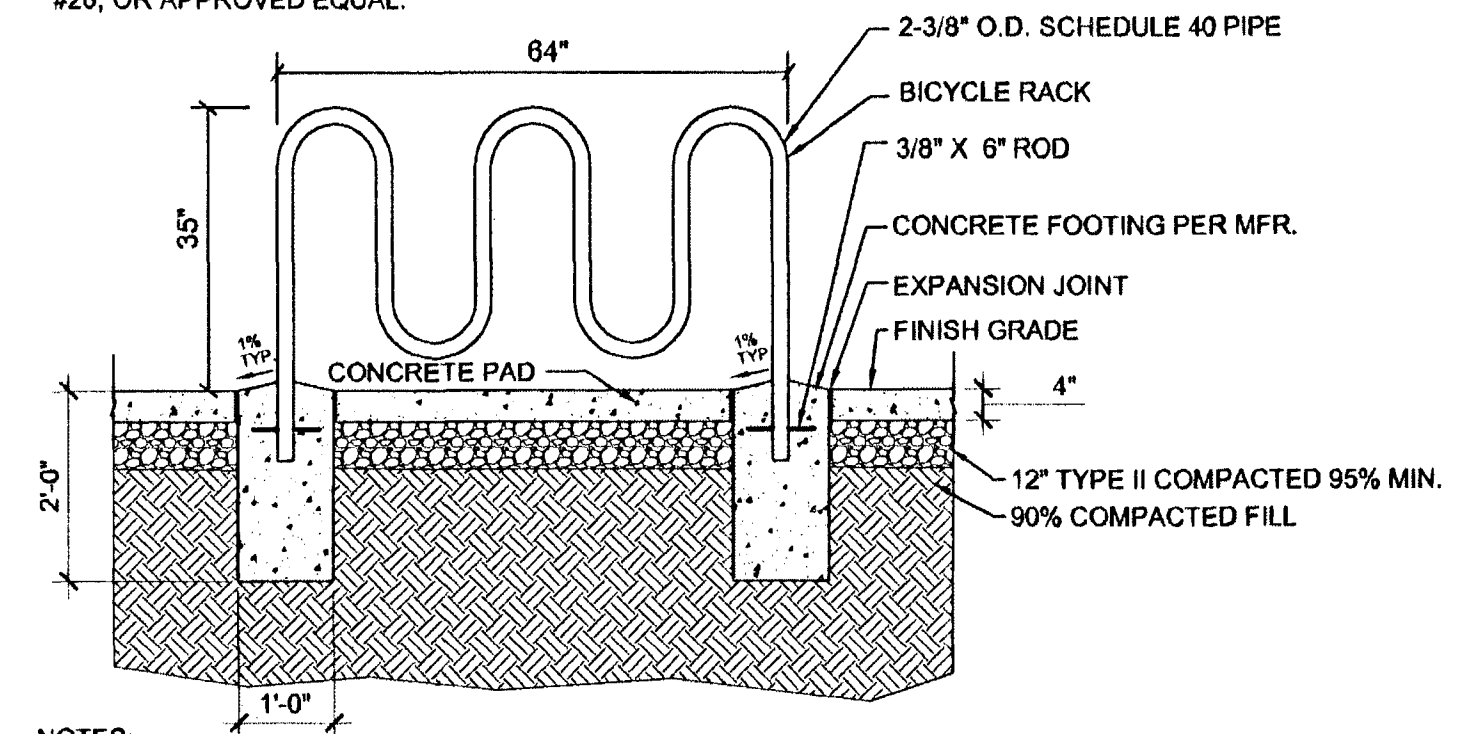


- NOTES:
 1. 1/2" EXPANSION JOINTS EVERY 30"
 2. CONTROL JOINTS EVERY 10"

6 12" X 8" CONCRETE HEADER

NOT TO SCALE

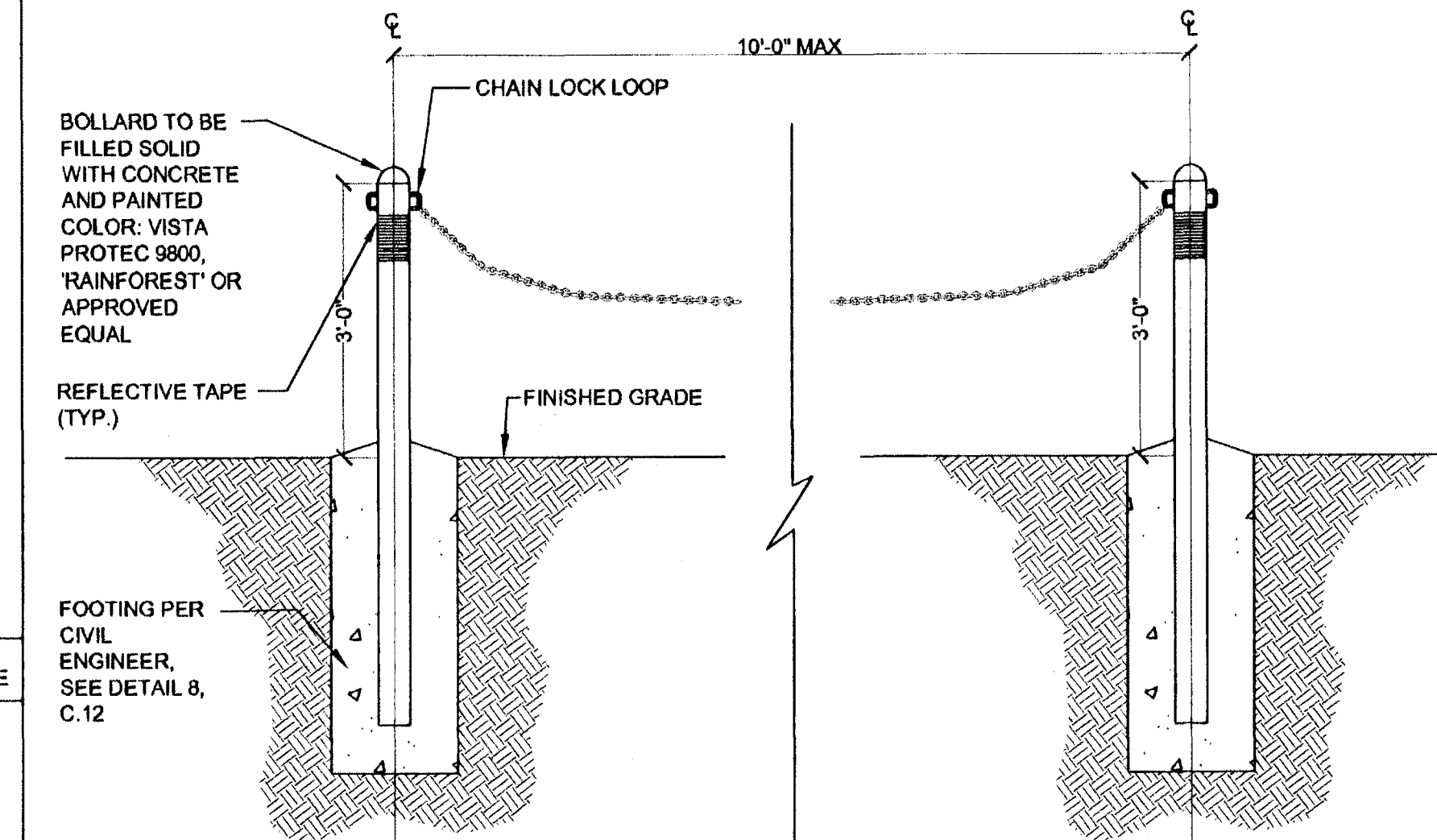
MANUFACTURERS/SUPPLIERS: KAY PARK RECREATION MODEL # 825, 1301 PINE STREET, JANESVILLE, IA 50847, 1-877-KAY PARK (529-7275), FAX 319.987.2900, SALES@KAYPARK.COM
 OR APPROVED EQUAL. STEEL PIPE POWDER COATED; COLOR: VISTA PROTEC 9800, 'RAINFOREST' #28, OR APPROVED EQUAL.



- NOTES:
 1. INSTALL BICYCLE RACK PER MANUFACTURER'S RECOMMENDATIONS AND SPECIFICATIONS.
 2. SEE GENERAL PLAN FOR LOCATION AND ORIENTATION.

1 BIKE RACK

NOT TO SCALE



- NOTES:
 1. BOLLARDS AVAILABLE FROM: CURTIS STEEL INCORPORATED, 4565 WYNN ROAD, LAS VEGAS, NV. PH: 702-952-3000. EMAIL: CURTISSTEEL.COM OR STEEL ENGINEERS INCORPORATED OR VEGAS STEEL INCORPORATED OR APPROVED EQUAL.
 2. ALL EXPOSED BOLLARD ELEMENTS TO BE PAINTED; COLOR: VISTA PROTEC 9800, 'RAINFOREST' #28, OR APPROVED EQUAL.
 3. ALL EXPOSED SURFACES TO RECEIVE 2 COATS 1.5 MIL THICKNESS MIN. ALKYD PRIMER AND 2 COATS ACRYLIC PAINT 1.5 MIL. MIN. THICKNESS.

2 BOLLARD

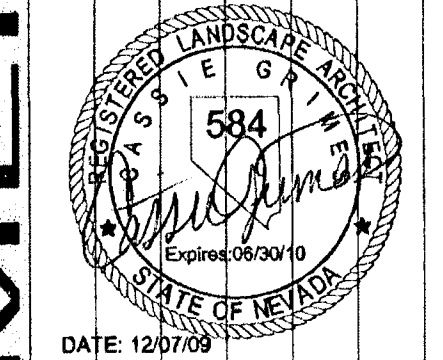
NOT TO SCALE



Cardno WRG
 CONSULTANT
 LAS VEGAS
 10849 EFFREYS ST., HENDERSON, NV 89052
 TEL: (702) 980-9300 FAX: (702) 980-9305
 WWW.CARDNOWRG.COM
 PLANNERS • ENGINEERS • LANDSCAPE ARCHITECTS • SURVEYORS

SANDHILL OWENS PARK & TRAILHEAD
 LAS VEGAS, NEVADA

SITE DETAILS



OWNER: CITY OF LAS VEGAS
 DEPARTMENT OF PUBLIC WORKS
 CAPITAL PROJECT MANAGEMENT SECTION

400 EAST STEWART AVENUE
 LAS VEGAS, NEVADA 89101
 PHONE: (702) 229-5535
 FAX: (702) 384-8846
 TDD: (702) 386-9108

DATE: 12-07-09

SCALE: AS NOTED

BID NO: 09-1534-111

CLV DOW NO: 658-154

SHEET NO: L1.01

100% SUBMITTAL