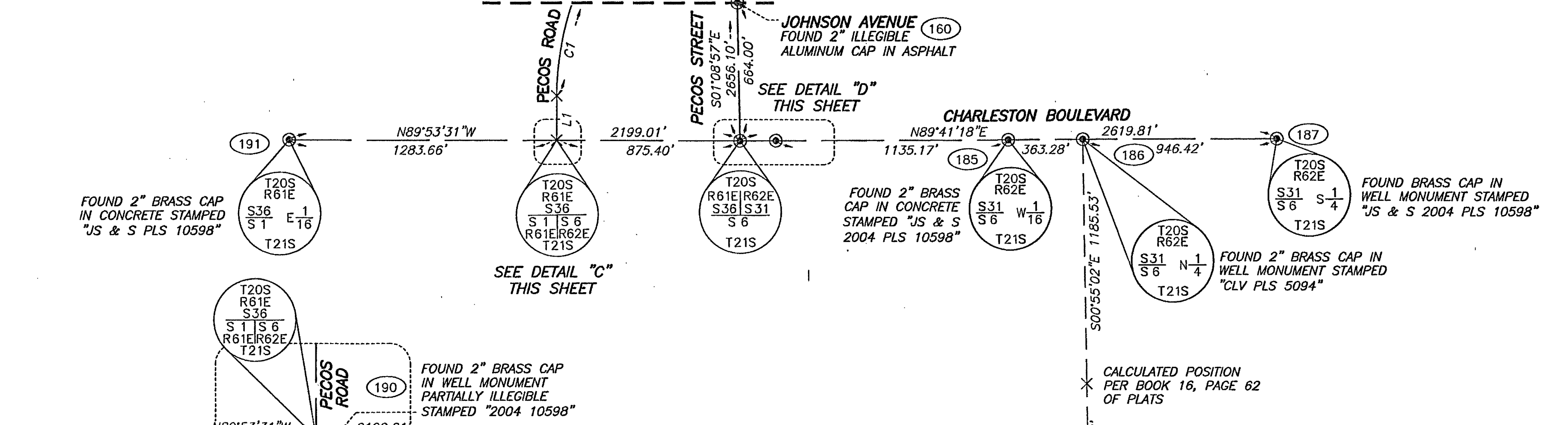
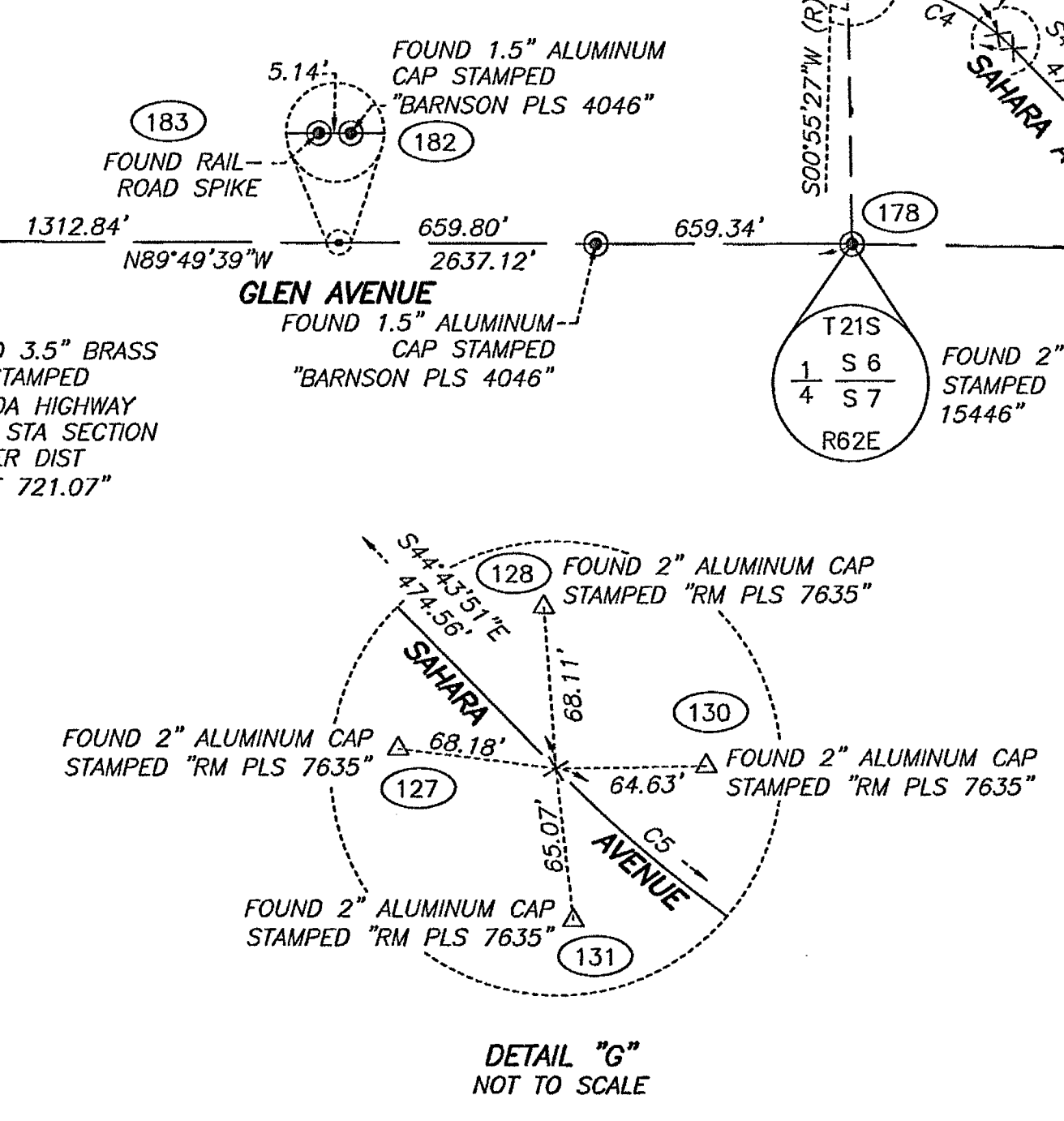
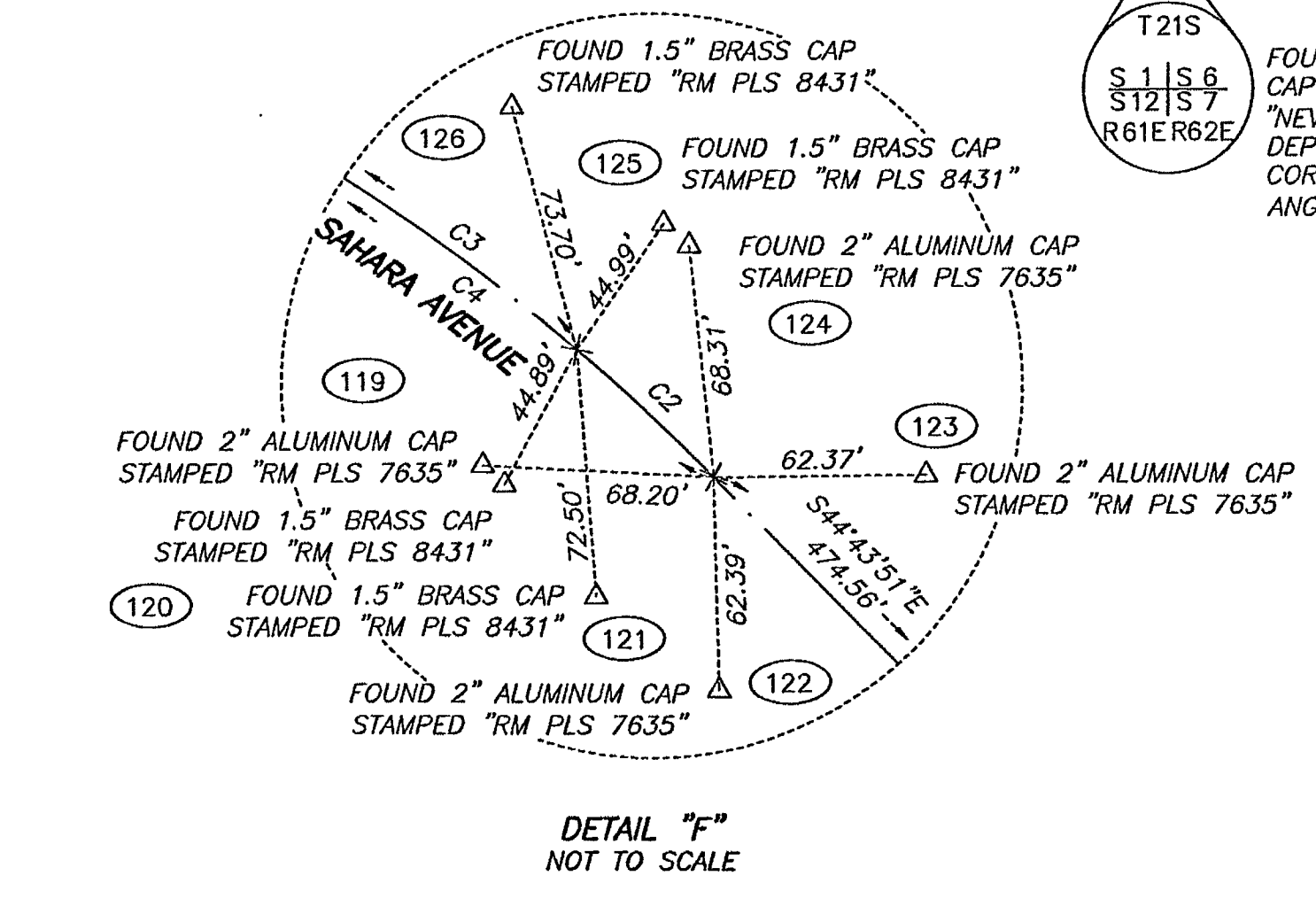
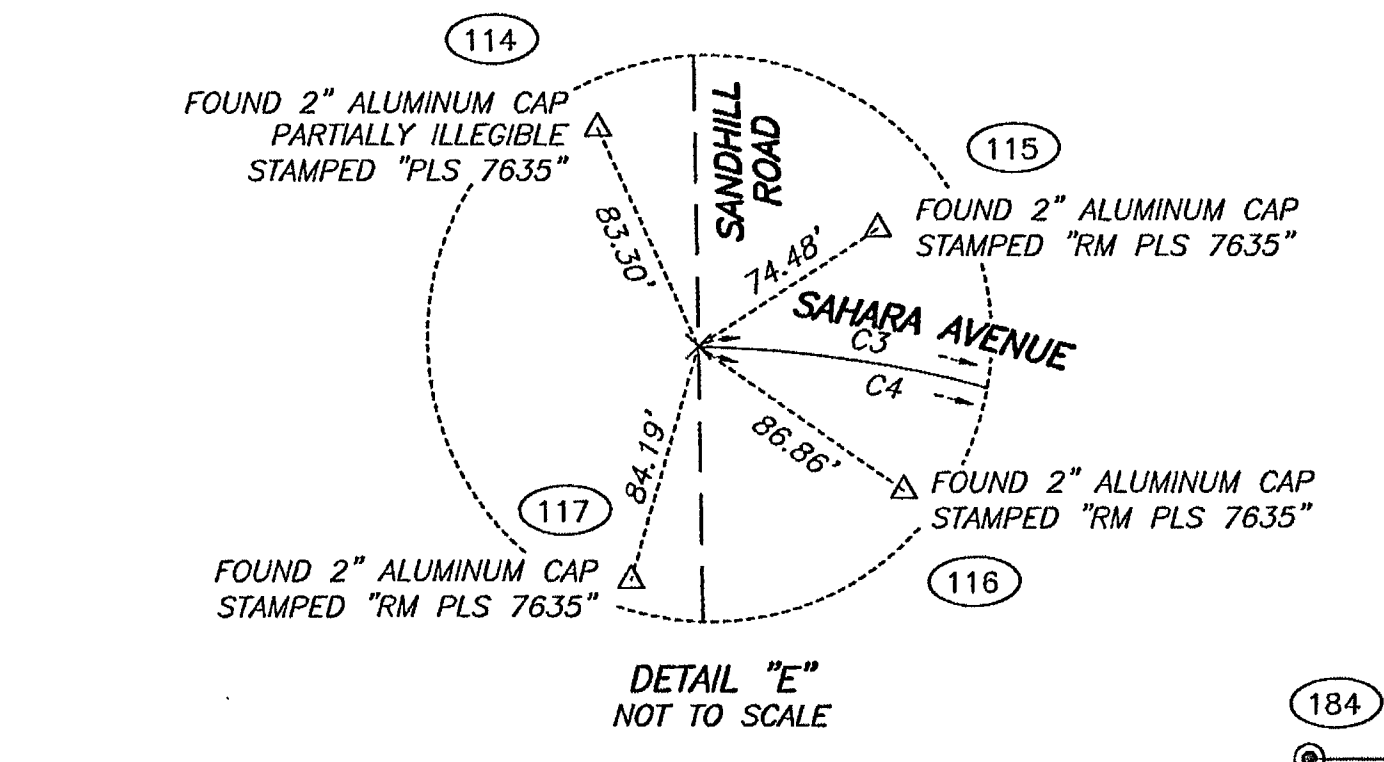
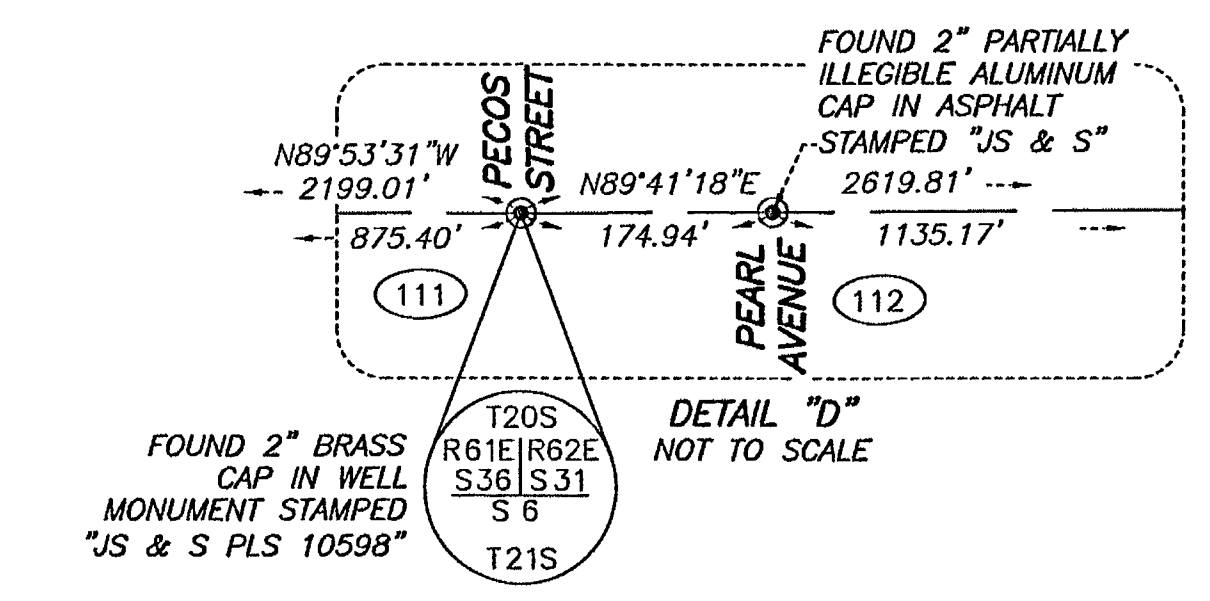
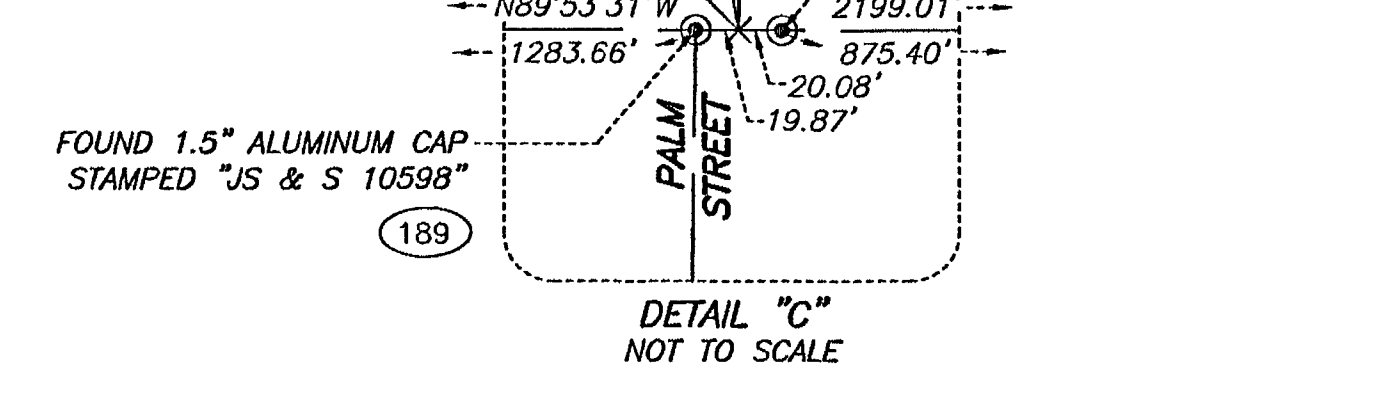
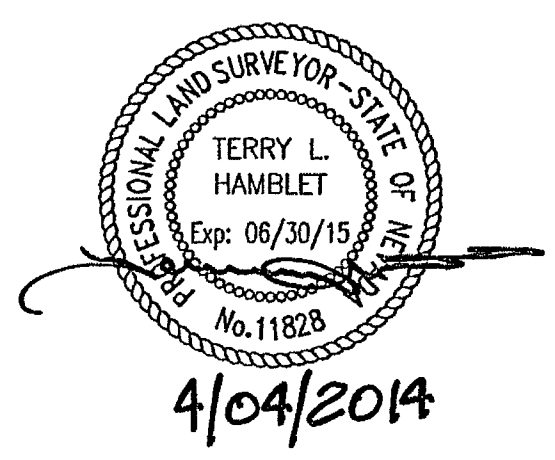


MATCH LINE - SEE SHEET 1



LEGEND

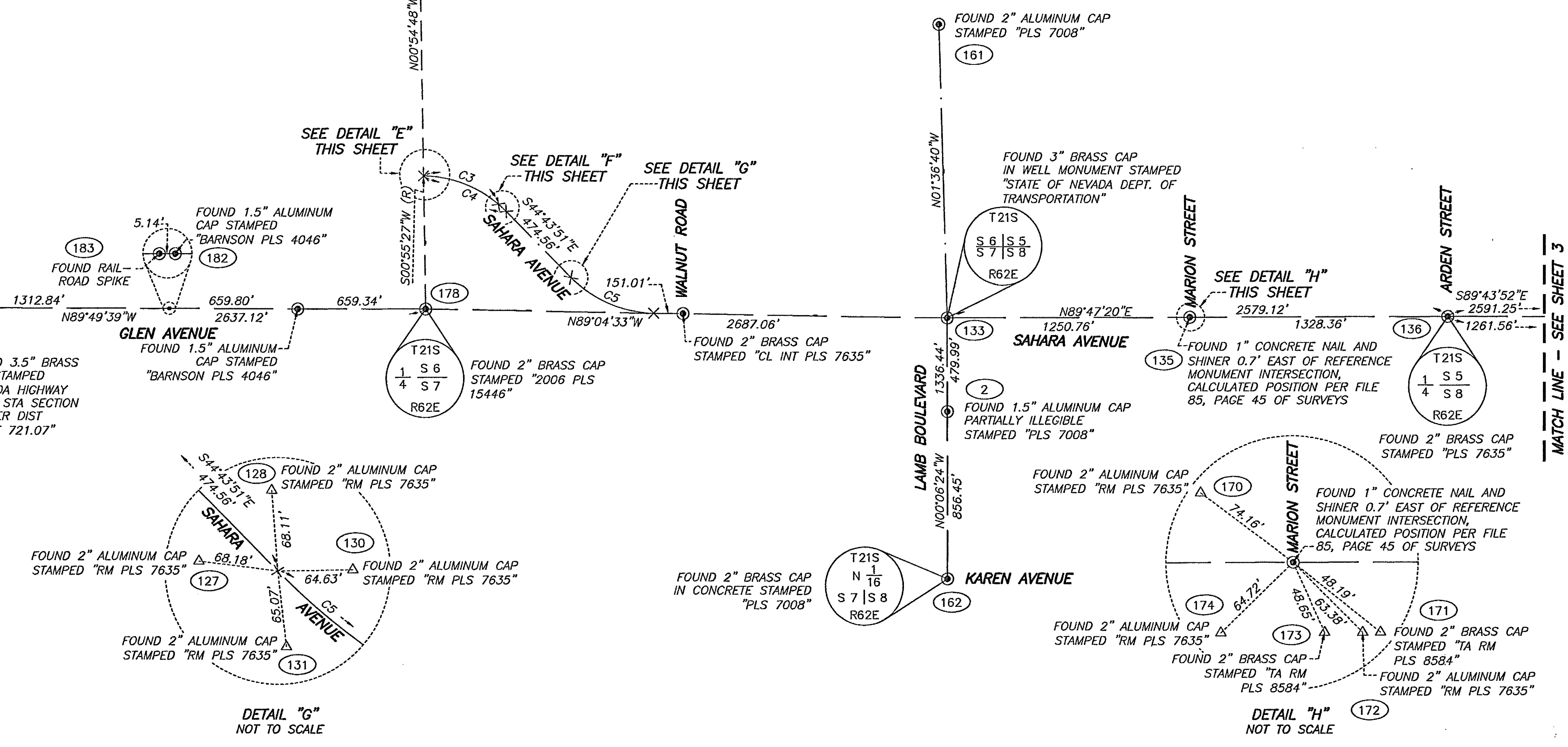
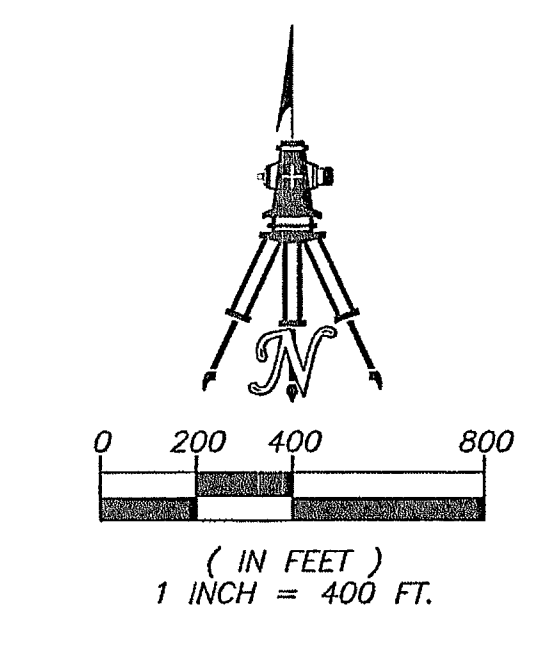
- SECTION LINE
- - - QUARTER SECTION LINE
- - - - SIXTEENTH SECTION LINE
- ROAD CENTER LINE
- ⊙ FOUND MONUMENTATION AS SHOWN AND DESCRIBED
- △ FOUND MONUMENTATION AS SHOWN AND DESCRIBED WITH DISTANCE NOTED
- × CALCULATED POINT
- Ⓧ POINT NUMBER - SEE SHEET 4



NOTE
1. LINE AND CURVE TABLES ARE FOR THIS SHEET ONLY

LINE	BEARING	DISTANCE
L1	S00°05'10\"W	215.34'

CURVE	DELTA	RADIUS	LENGTH	TANGENT
C1	42°35'54"	1350.00'	1003.70'	526.32'
C2	5°07'09"	613.27'	54.79'	27.42'
C3	39°13'33"	613.27'	419.86'	218.53'
C4	44°20'42"	613.27'	474.65'	249.93'
C5	44°20'42"	613.27'	474.65'	249.93'



MATCH LINE - SEE SHEET 3