

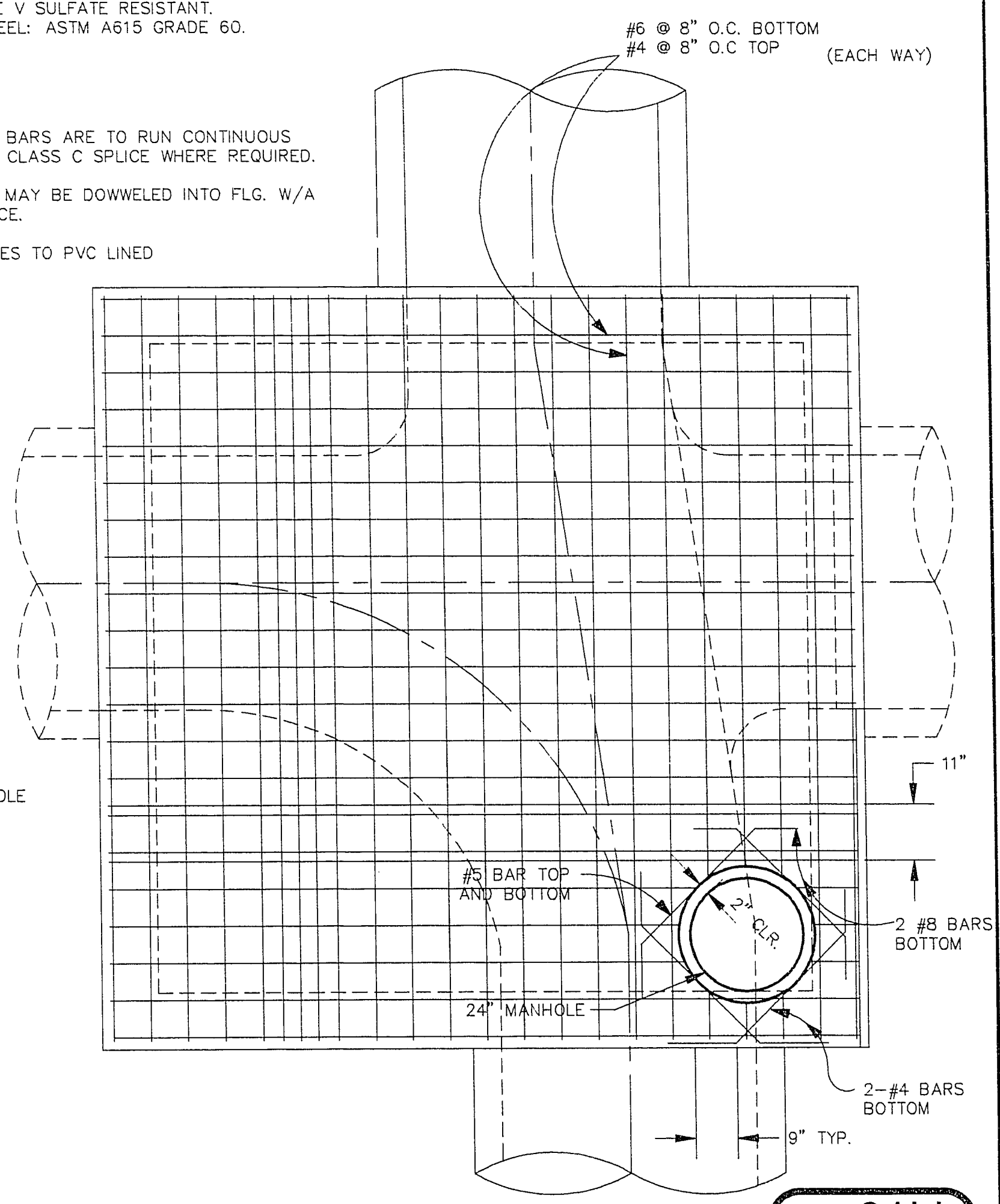
STRUCTURAL NOTES

1. CONCRETE: $f'c = 4000$ PSI MINIMUM AT 28 DAYS.
2. CEMENT : TYPE V SULFATE RESISTANT.
3. REINFORCING STEEL: ASTM A615 GRADE 60.

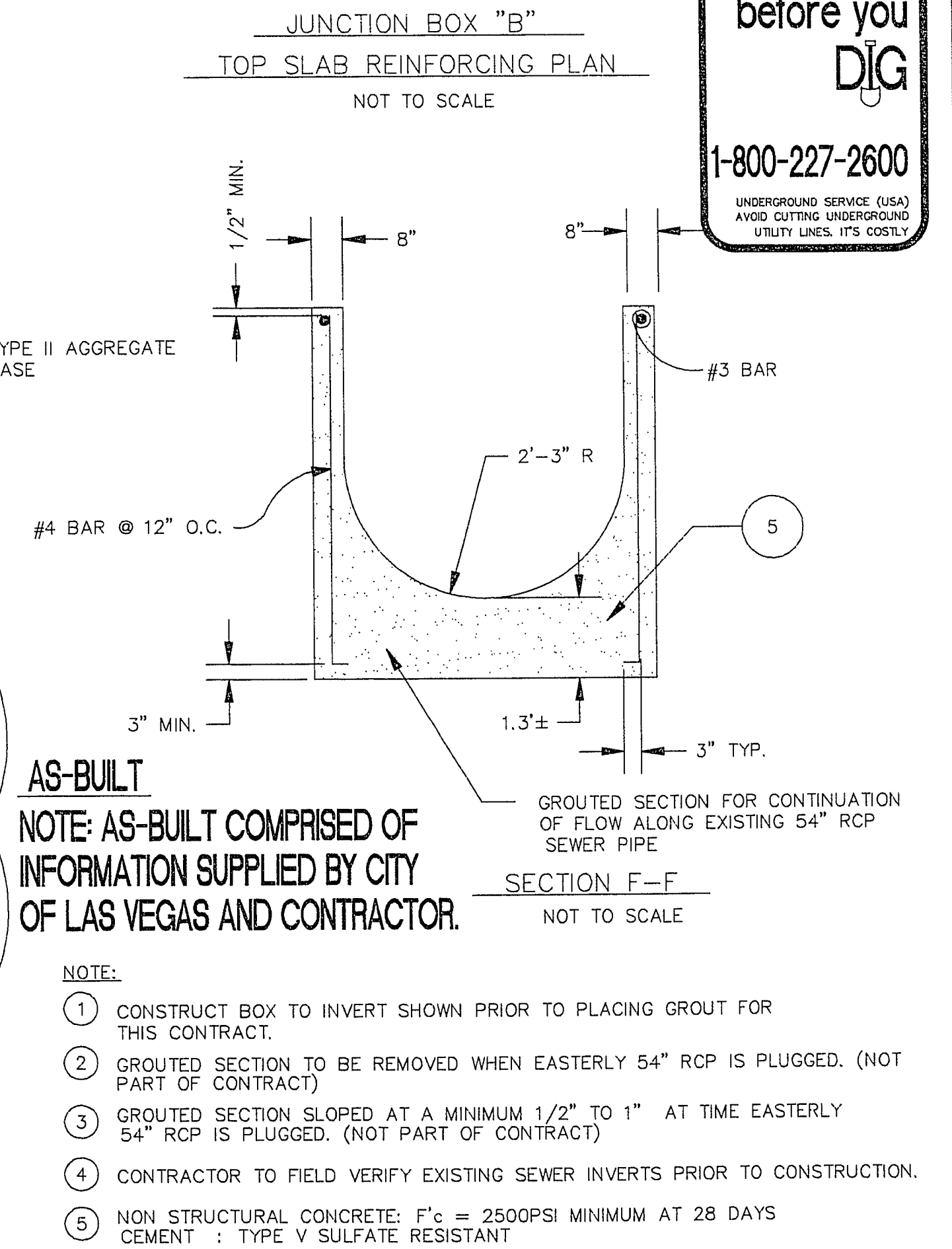
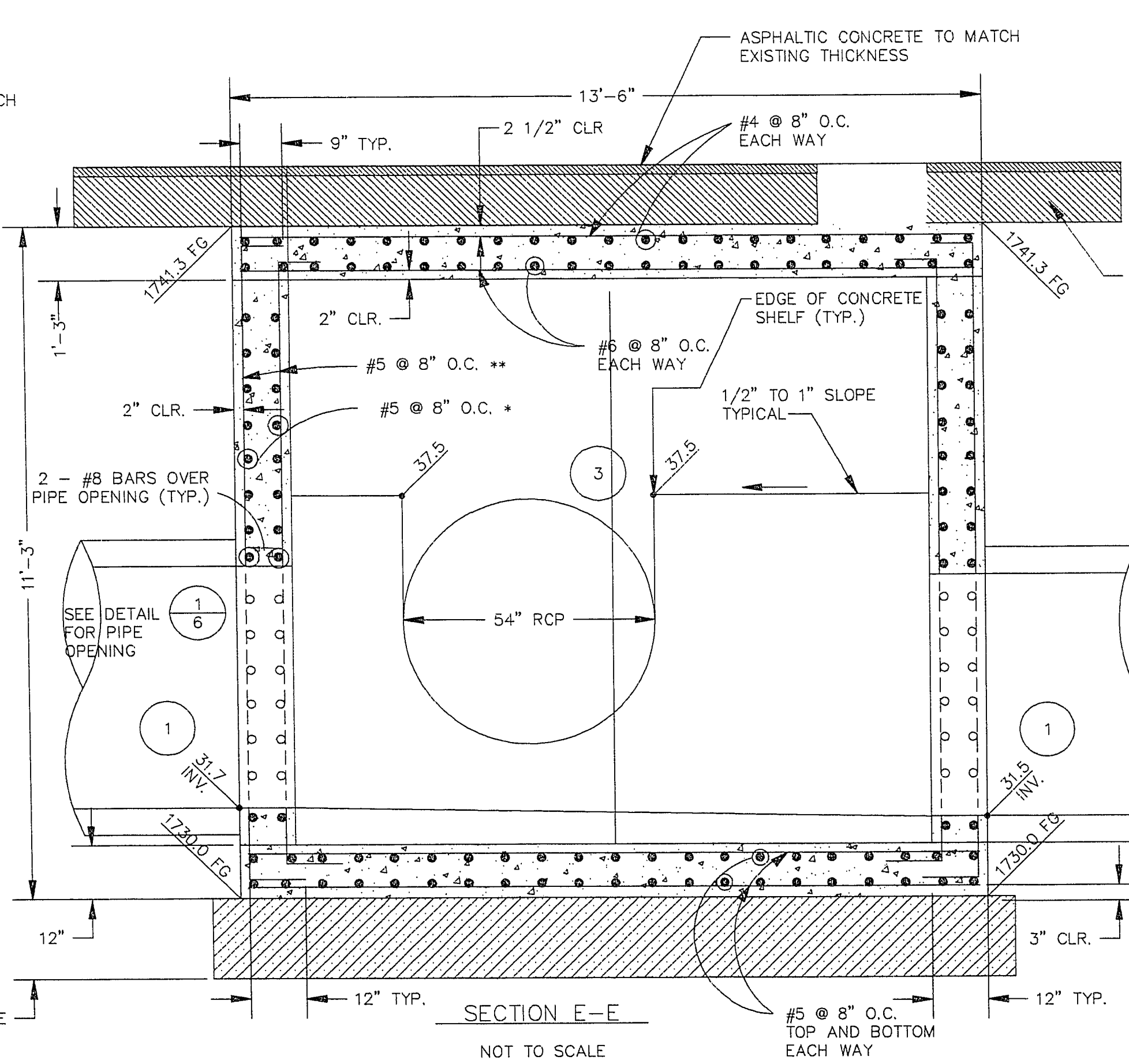
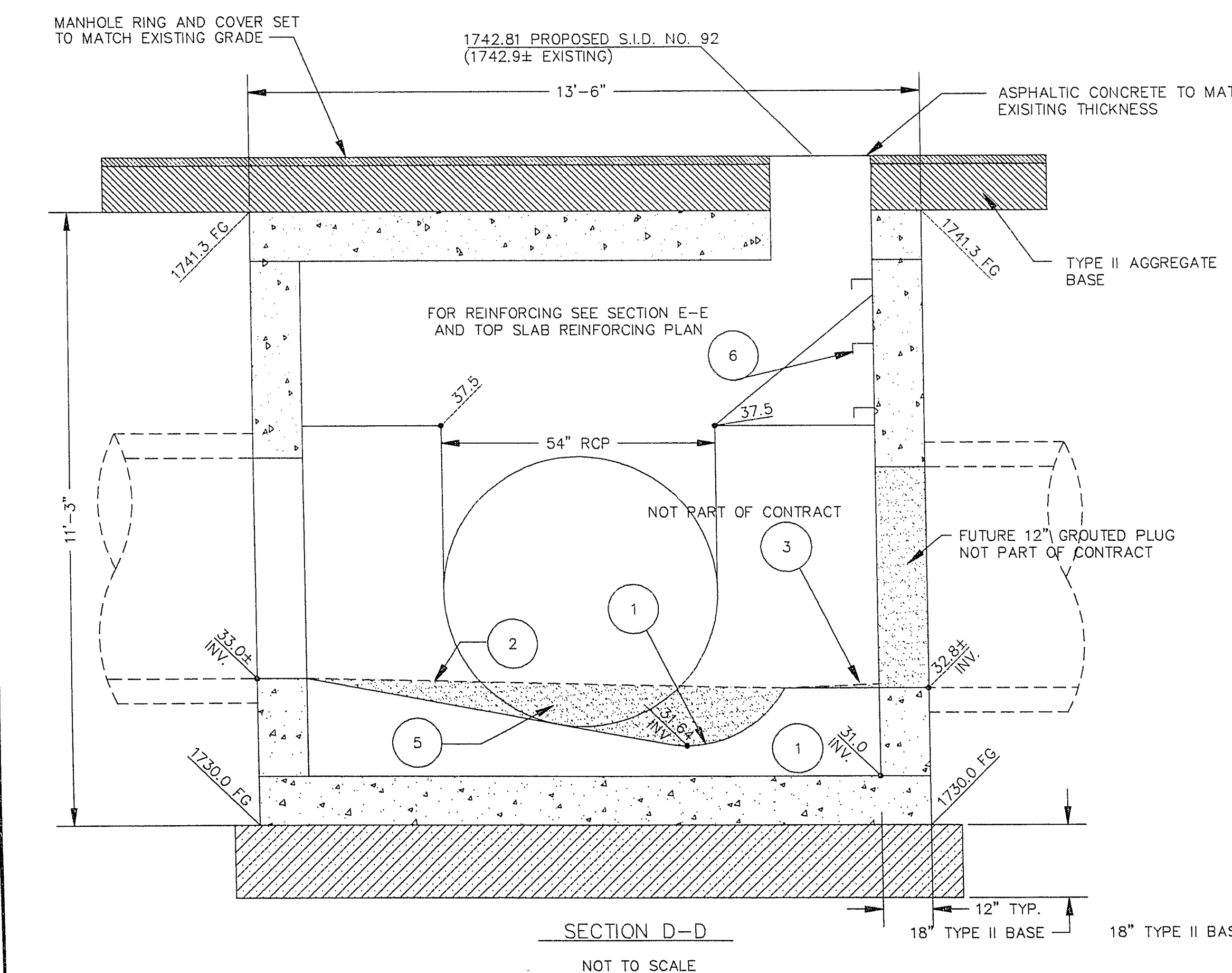
NOTES

- ALL HORIZONTAL BARS ARE TO RUN CONTINUOUS AROUND CORNERS. CLASS C SPLICE WHERE REQUIRED.
- VERTICAL BARS MAY BE DOWELED INTO FLG. W/A CLASS C LAP SPLICE.

ALL JUNCTION BOXES TO PVC LINED



CALL before you DIG
1-800-227-2600
UNDERGROUND SERVICE (USA)
AVOID CUTTING UNDERGROUND UTILITY LINES. IT'S COSTLY!



AS-BUILT
NOTE: AS-BUILT COMPRISED OF INFORMATION SUPPLIED BY CITY OF LAS VEGAS AND CONTRACTOR.

- NOTE:**
1. CONSTRUCT BOX TO INVERT SHOWN PRIOR TO PLACING GROUT FOR THIS CONTRACT.
 2. GROUDED SECTION TO BE REMOVED WHEN EASTERLY 54" RCP IS PLUGGED. (NOT PART OF CONTRACT)
 3. GROUDED SECTION SLOPED AT A MINIMUM 1/2" TO 1" AT TIME EASTERLY 54" RCP IS PLUGGED. (NOT PART OF CONTRACT)
 4. CONTRACTOR TO FIELD VERIFY EXISTING SEWER INVERTS PRIOR TO CONSTRUCTION.
 5. NON STRUCTURAL CONCRETE: $f'c = 2500$ PSI MINIMUM AT 28 DAYS
CEMENT : TYPE V SULFATE RESISTANT
 6. STANDARD MANHOLE STEPS PER DRAWING SD-1 AND SD-5 OF DESIGN AND CONSTRUCTION STANDARDS FOR WASTEWATER COLLECTION SYSTEMS, 1991.

REV.	DATE	BY	REVISION
5/22/04		K.J.E.	"AS-BUILTS"

DRAWN BY: W.J.R. / R.D.S.
DESIGNED BY: K.J.E.
APPROVED BY: D.H.M.

2975 SO. RAINBOW BLVD., SUITE G
LAS VEGAS, NEVADA 89102
PHONE (702) 364-1066

CITY OF LAS VEGAS
NEVADA

JUNCTION BOX "B" PLAN AND SECTIONS

SAHARA INTERCEPTOR
ARDEN TO W.P.C.F., PHASE I

PROJECT NO. 91-2464.1
DATE: 8/05/93
SCALE: HORIZ NONE
VERT NONE
DWG. FILE: RA_JUNCB.DWG

SHEET 7
OF 10 SHEETS

307-V710-1