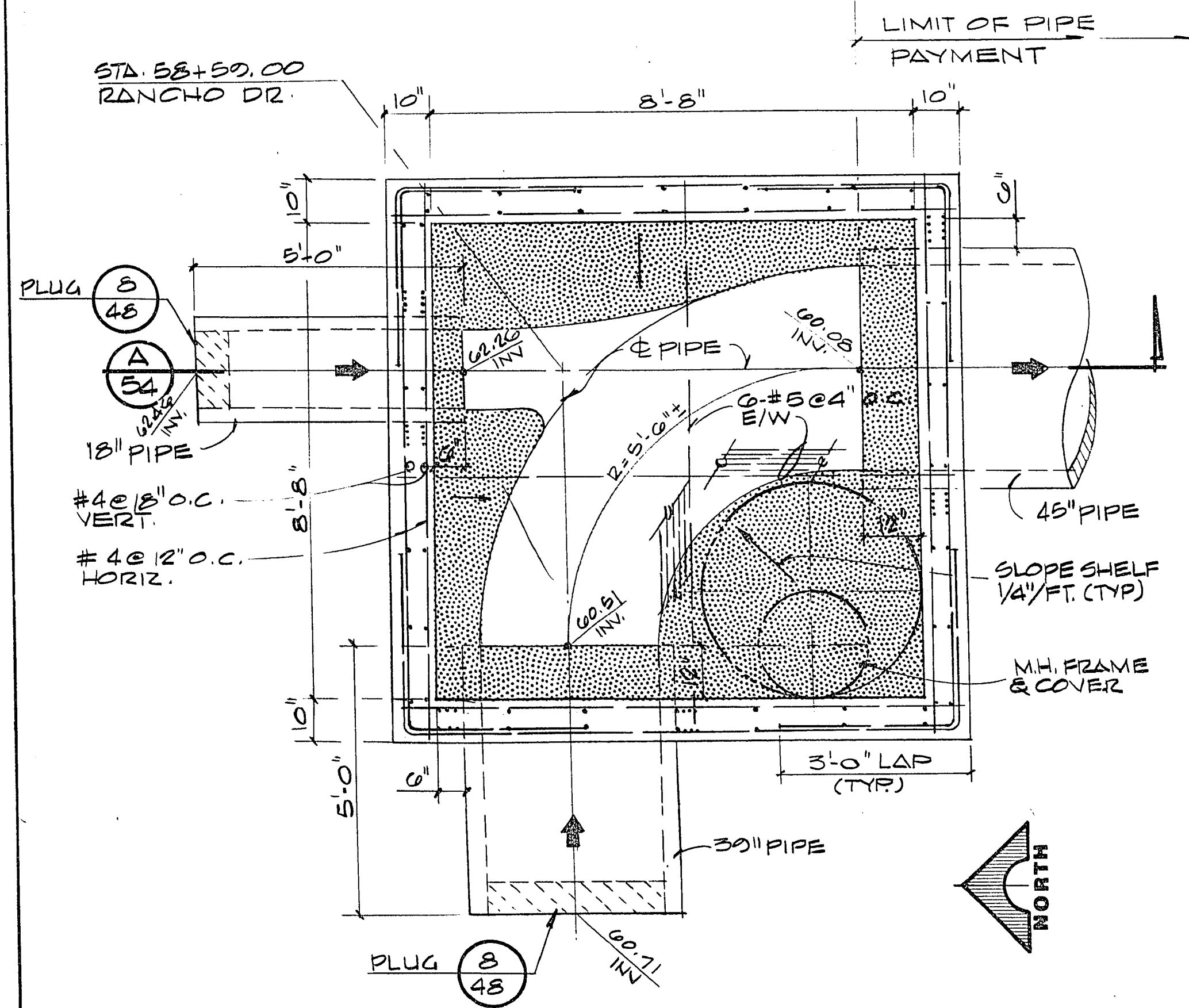
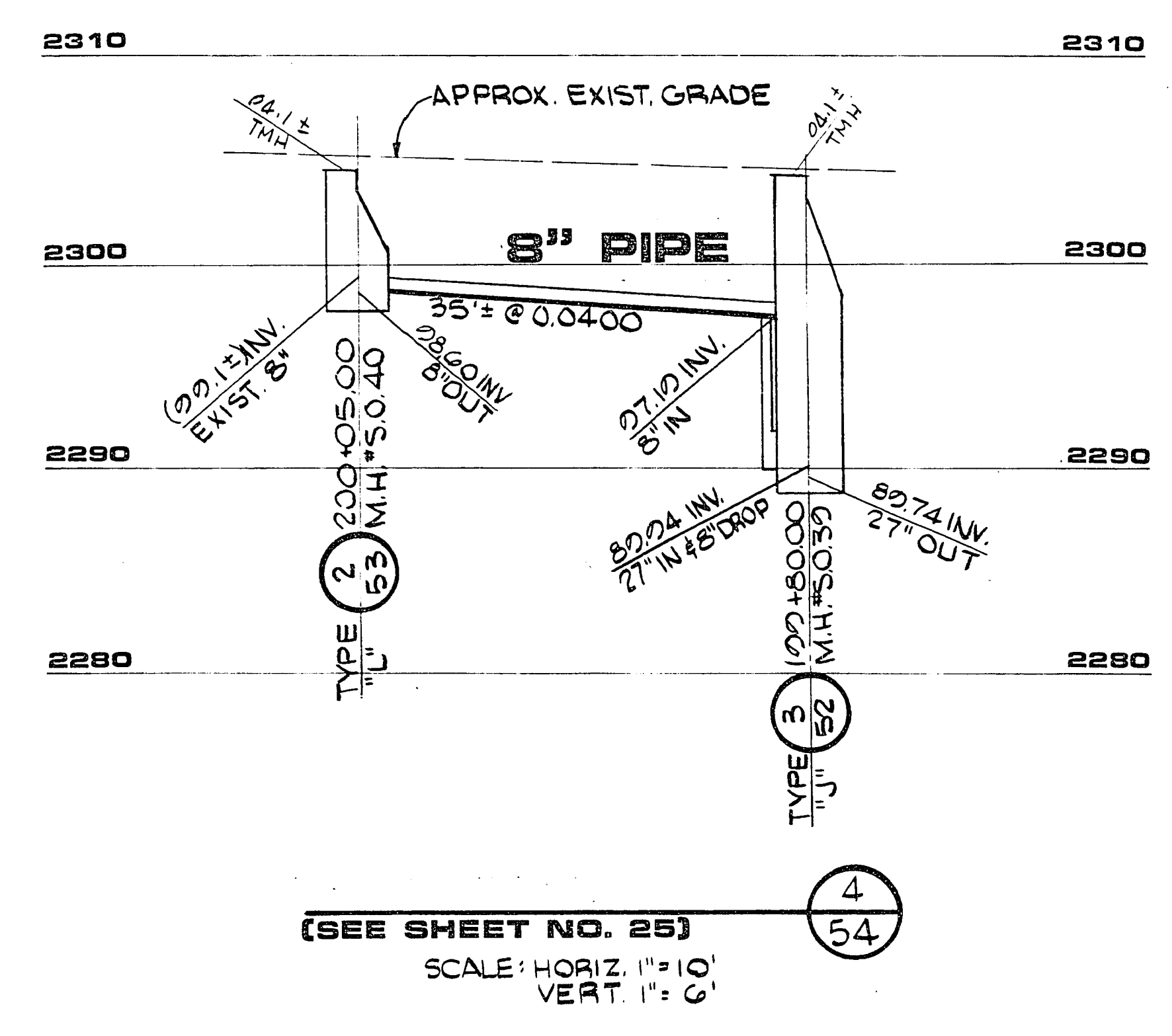


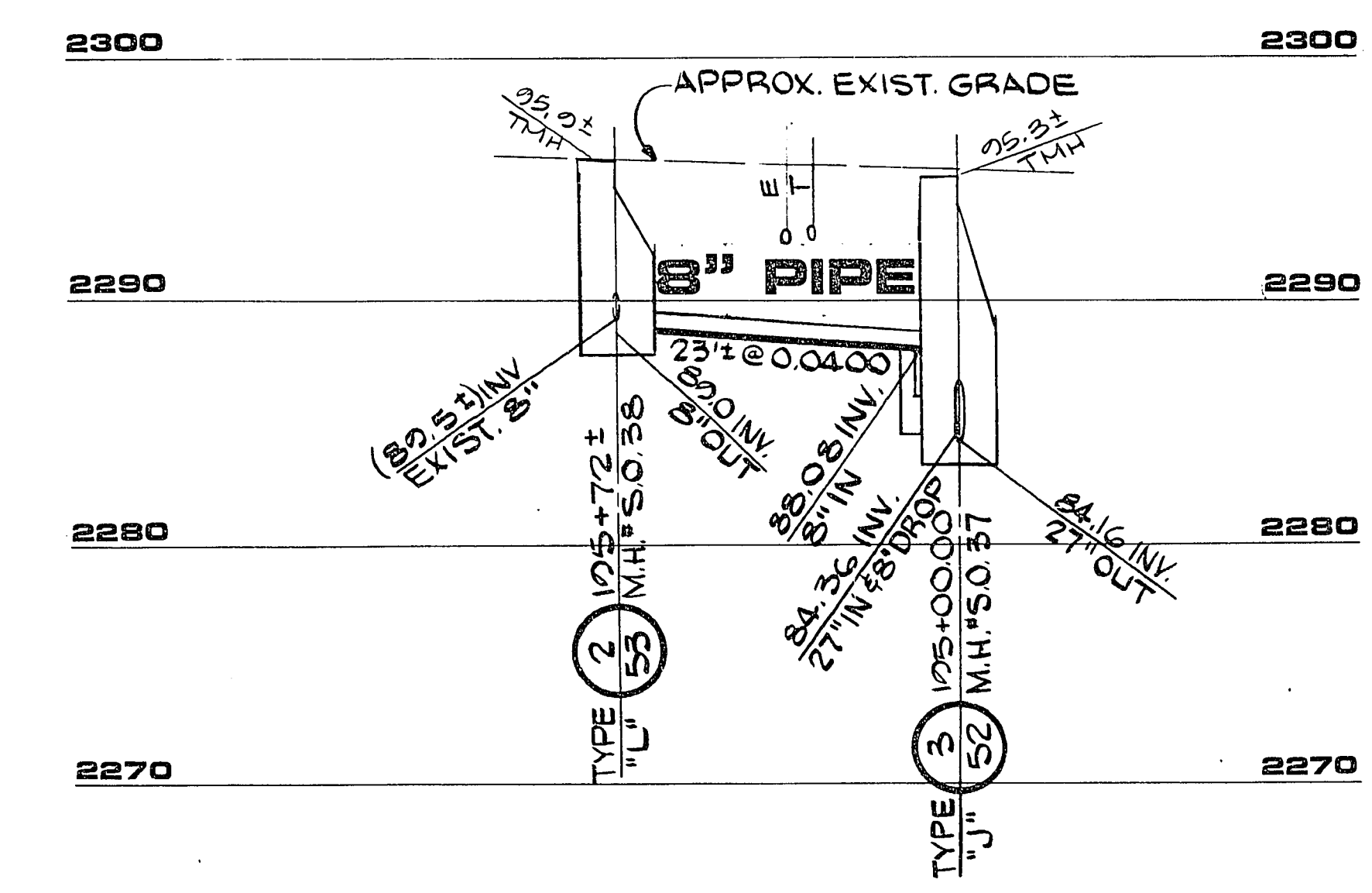
SECTION A-54



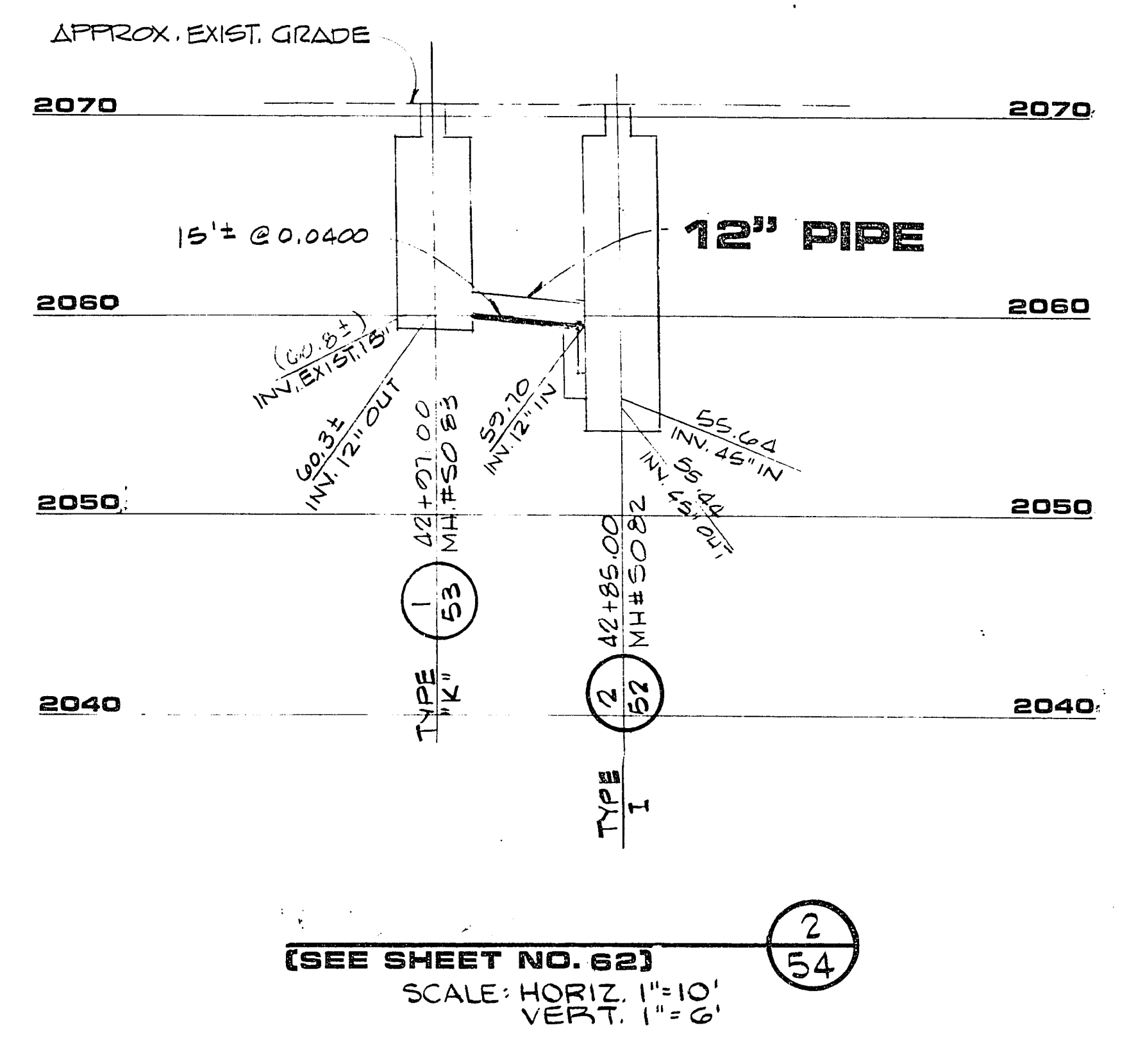
"N" TYPE MANHOLE
M.H. # S.O. 86



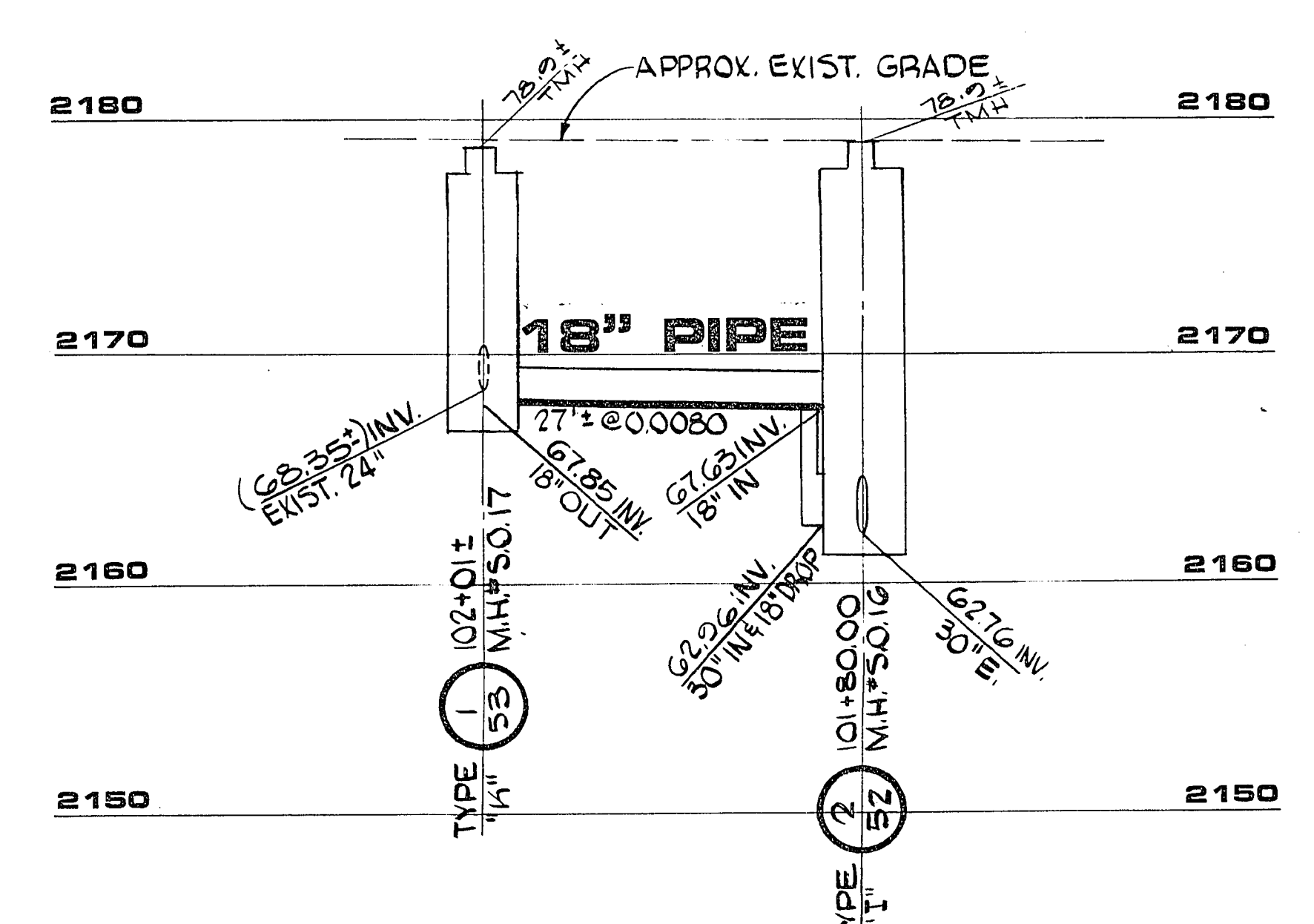
(SEE SHEET NO. 25)
SCALE: HORIZ. 1"=10'
VERT. 1"=6'



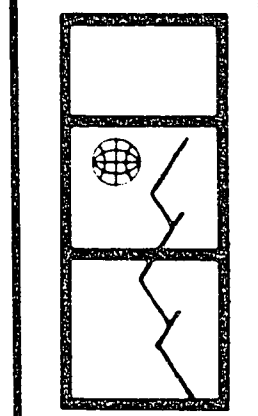
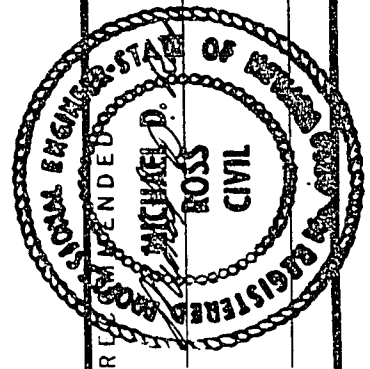
(SEE SHEET NO. 25)
SCALE: HORIZ. 1"=10'
VERT. 1"=6'



(SEE SHEET NO. 62)
SCALE: HORIZ. 1"=10'
VERT. 1"=6'

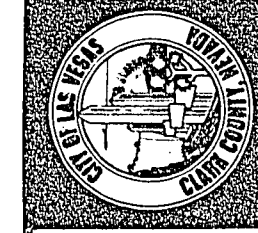


(SEE SHEET NO. 14)
SCALE: HORIZ. 1"=10'
VERT. 1"=6'



G.C. WALLACE
Consulting Engineers, Inc.
1100 East Sahara Ave. • Las Vegas, Nevada 89104 • 732-3330

Department of Public Services
SAHARA - OAKY SEWER INTERCEPTOR
MISC. PROFILES &
MANHOLE TYPE "N" DETAILS



SHEET
54
OF 65 SHEETS

AS BUILT DRAWING

307-V-563

22-1-130

JOB NO. 412.140

978 DIETRICH-POST 6329