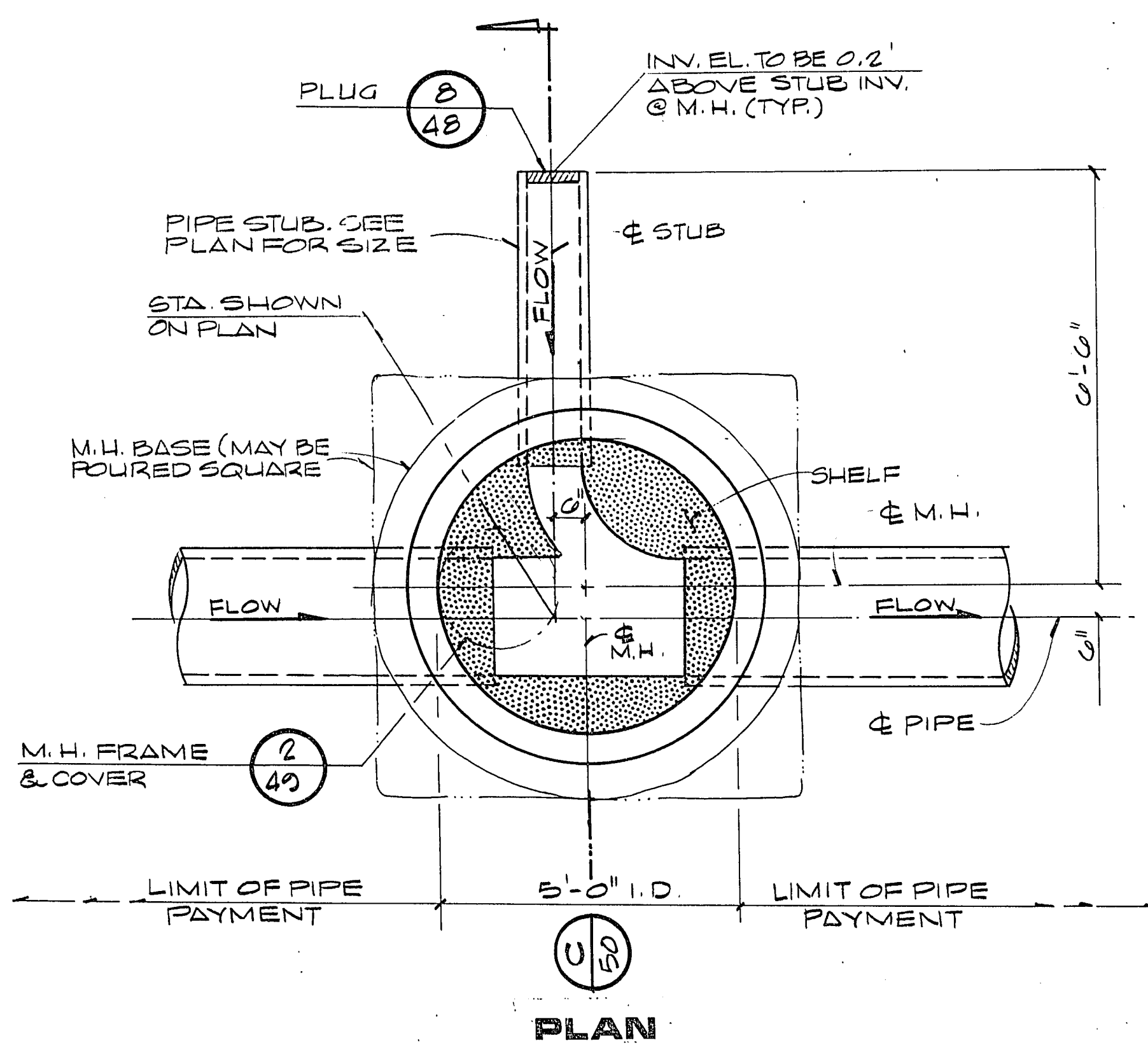


SECTION

C
50

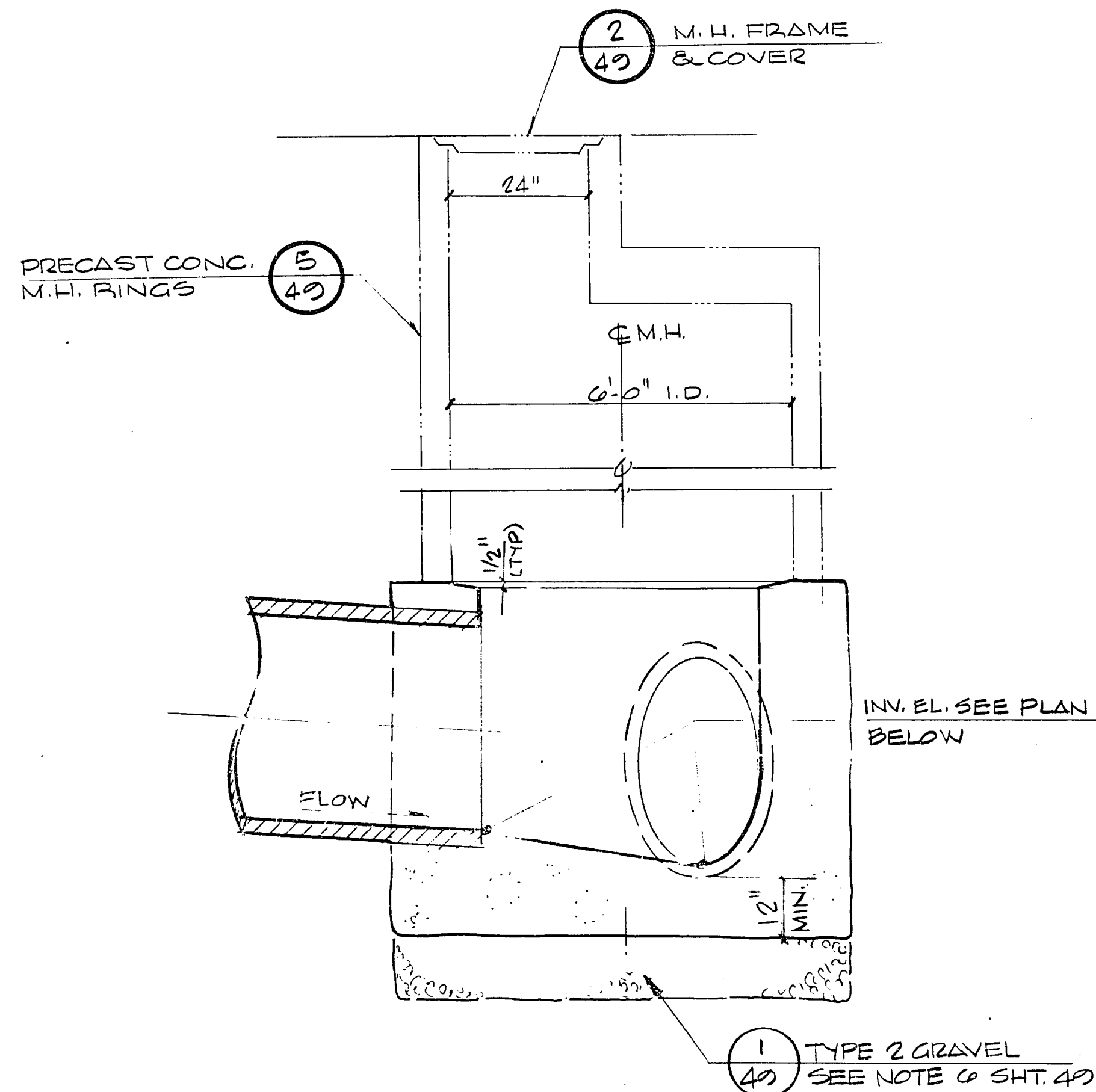
NOTE: STUB CONNECTION MAY BE OPPOSITE HAND



"D" TYPE MANHOLE

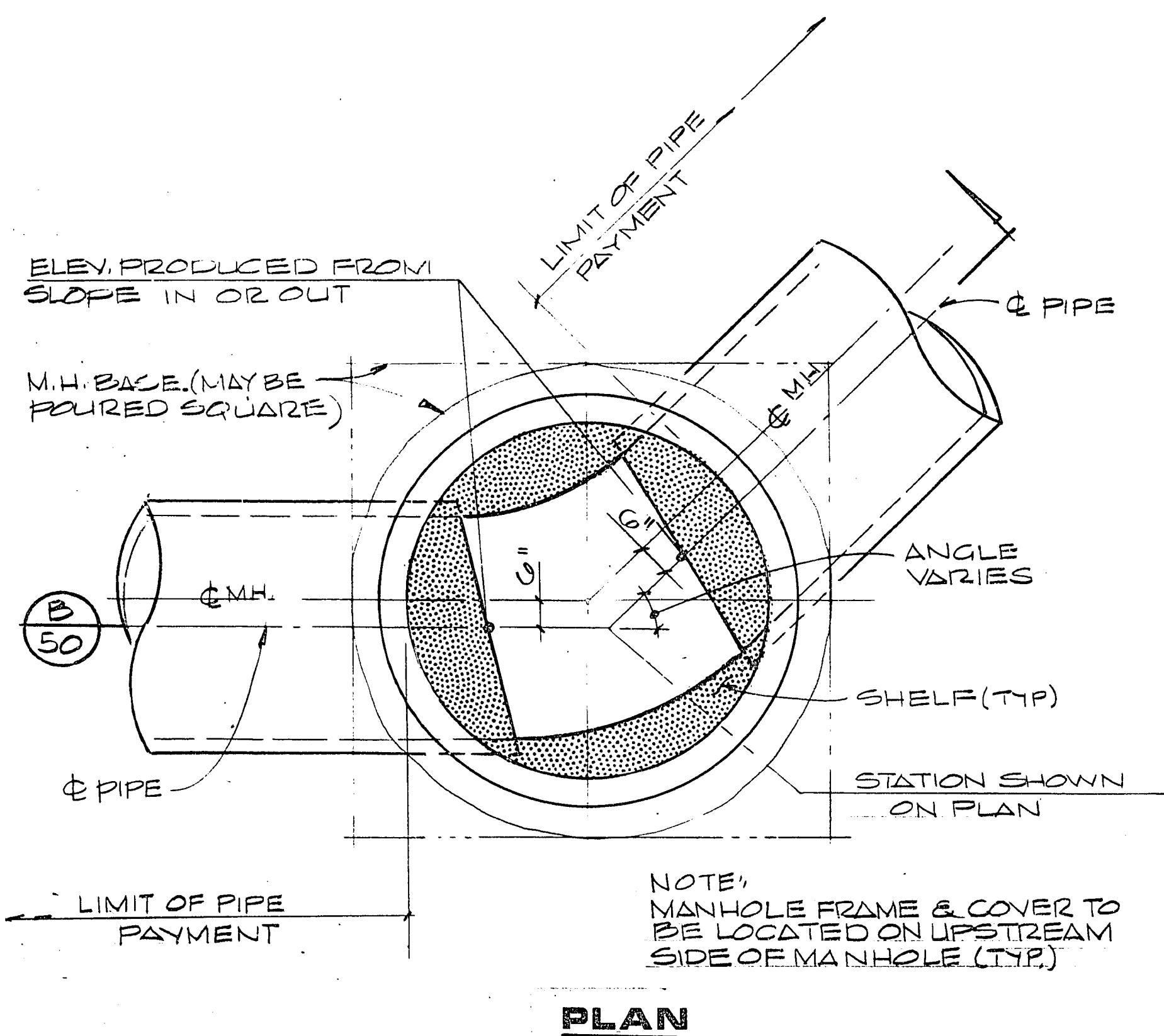
M.H. #S S.O. 44, 47, 48, 49, 52, 53, 54, 56, 57, 58, 60, 61, 62, 64, 65, & 66

3
50



SECTION

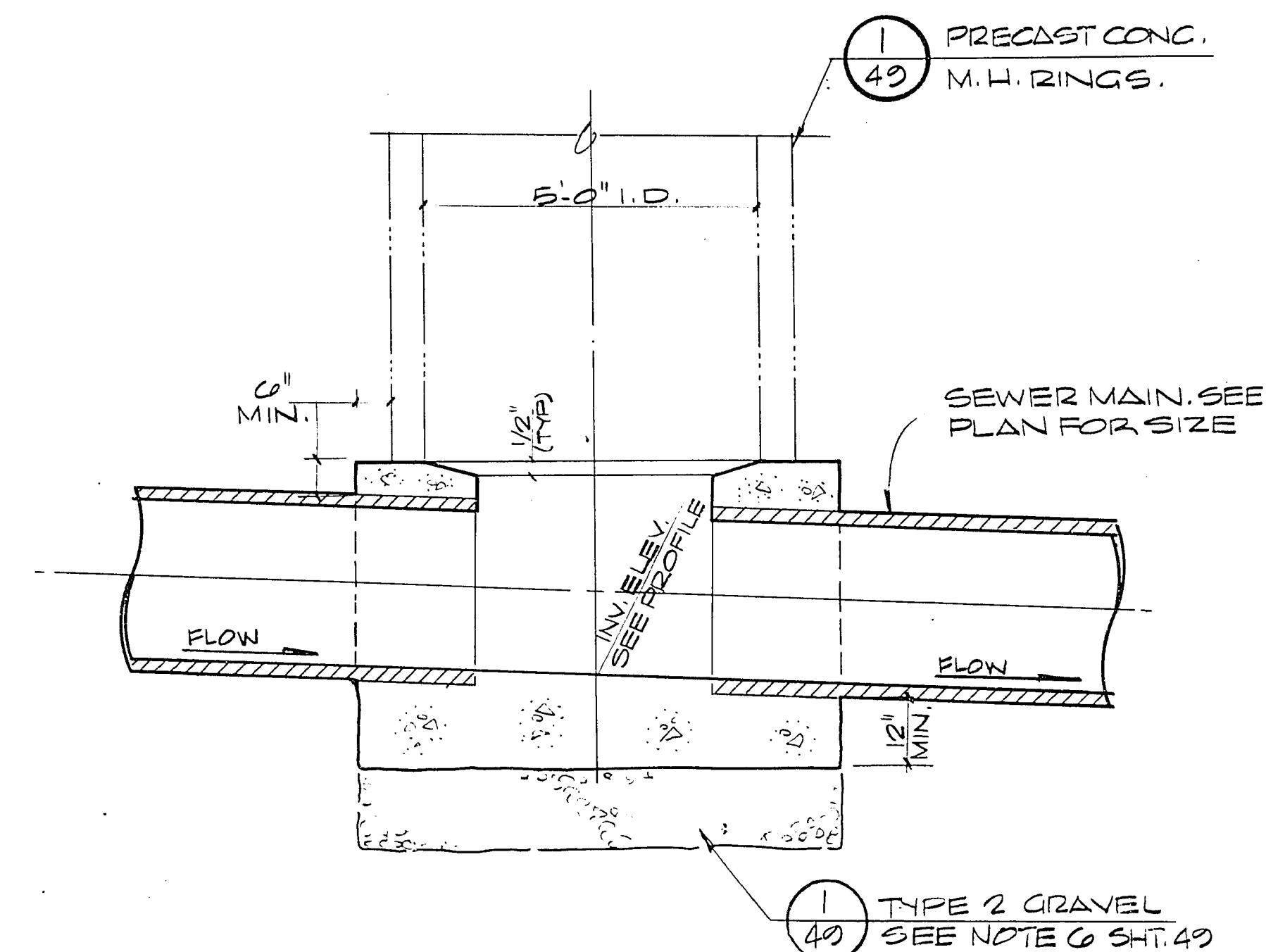
B
50



"C" TYPE MANHOLE

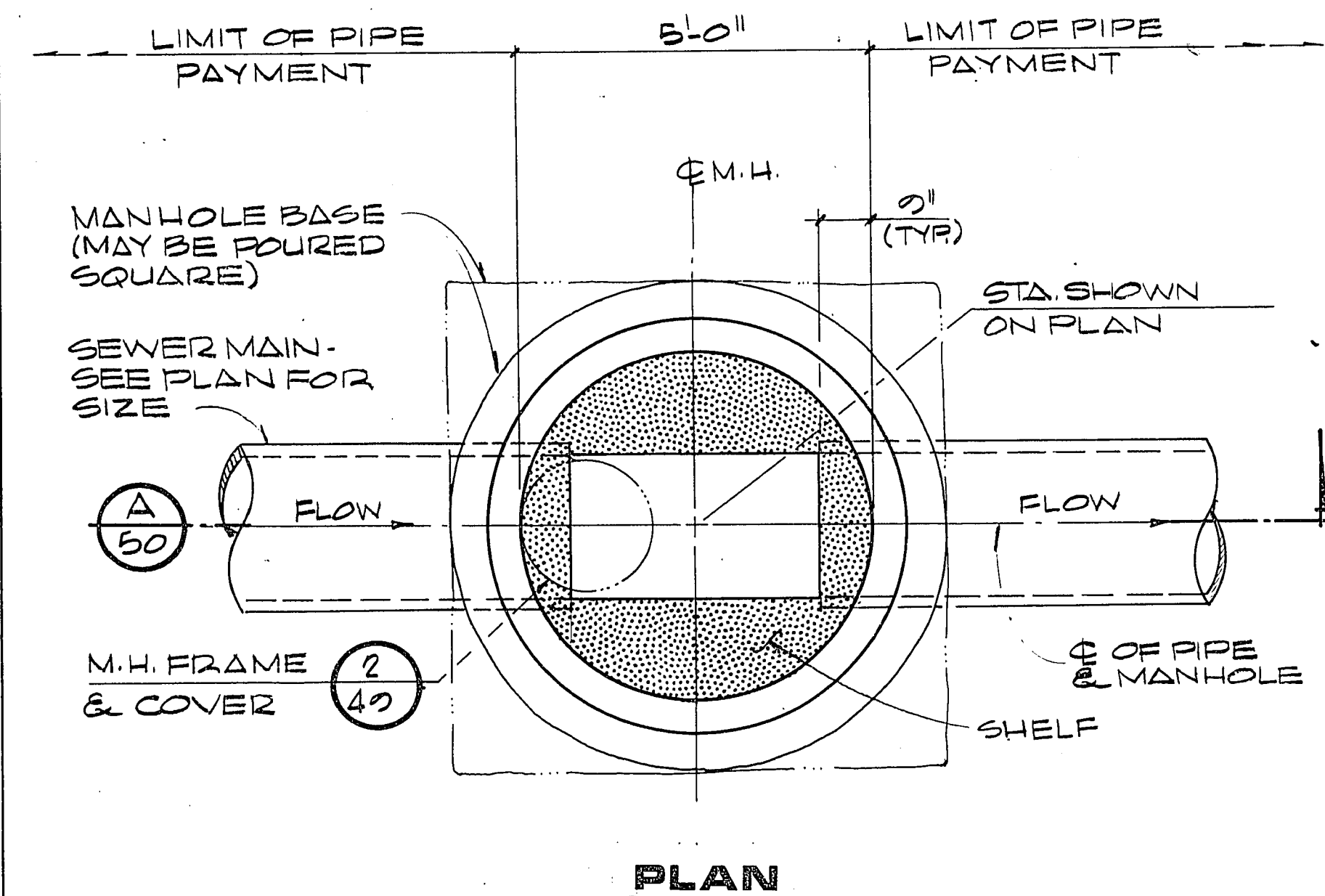
M.H. #S S.O. 72, 73, 84, & 85, 31

2
50



SECTION

A
50



"B" TYPE MANHOLE

M.H. #S S.O. 3, 4, 5, 6, 7, 10, 14, 15, 18, 21, 24, 29, 35, 36, 41, & 50, 75

1
50

REVISIONS	DATE	DESCRIPTION

REGISTERED PROFESSIONAL ENGINEER - STATE OF NEVADA
 MICHAEL D. ROSS
 CIVIL
 LICENSE NO. 6918

G. C. WALLACE
 Consulting Engineers, Inc.
 1100 East Sahara Ave. • Las Vegas, Nevada 89104 • 732-3330

Department of Public Services
 SAHARA - OAKY SEWER INTERCEPTOR
 MANHOLE TYPES "B", "C", & "D"
 DETAILS

SHEET
50
 OF 65 SHEETS

JOB NO. 412.140