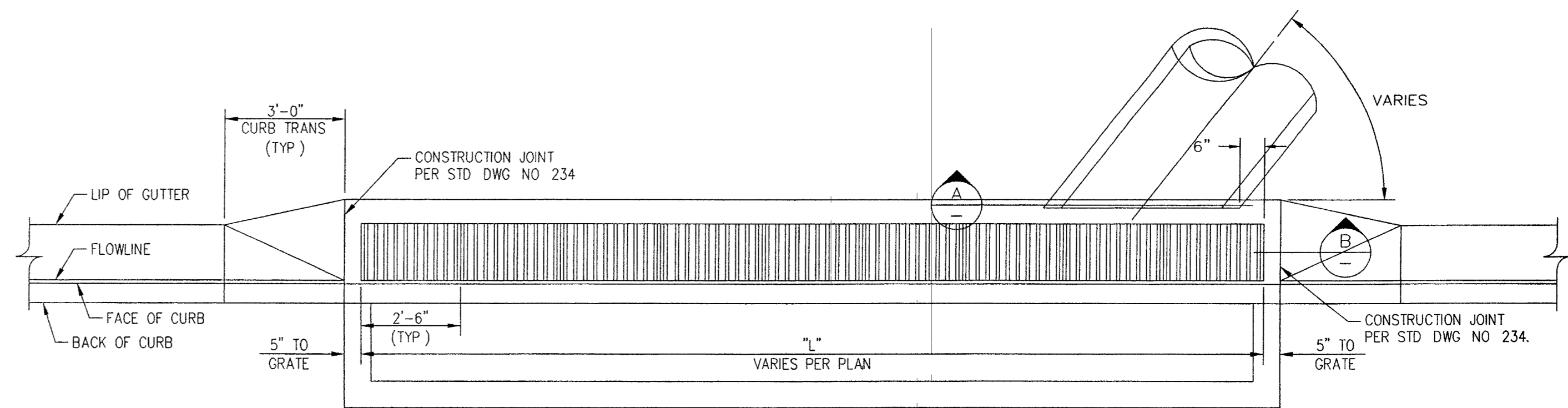
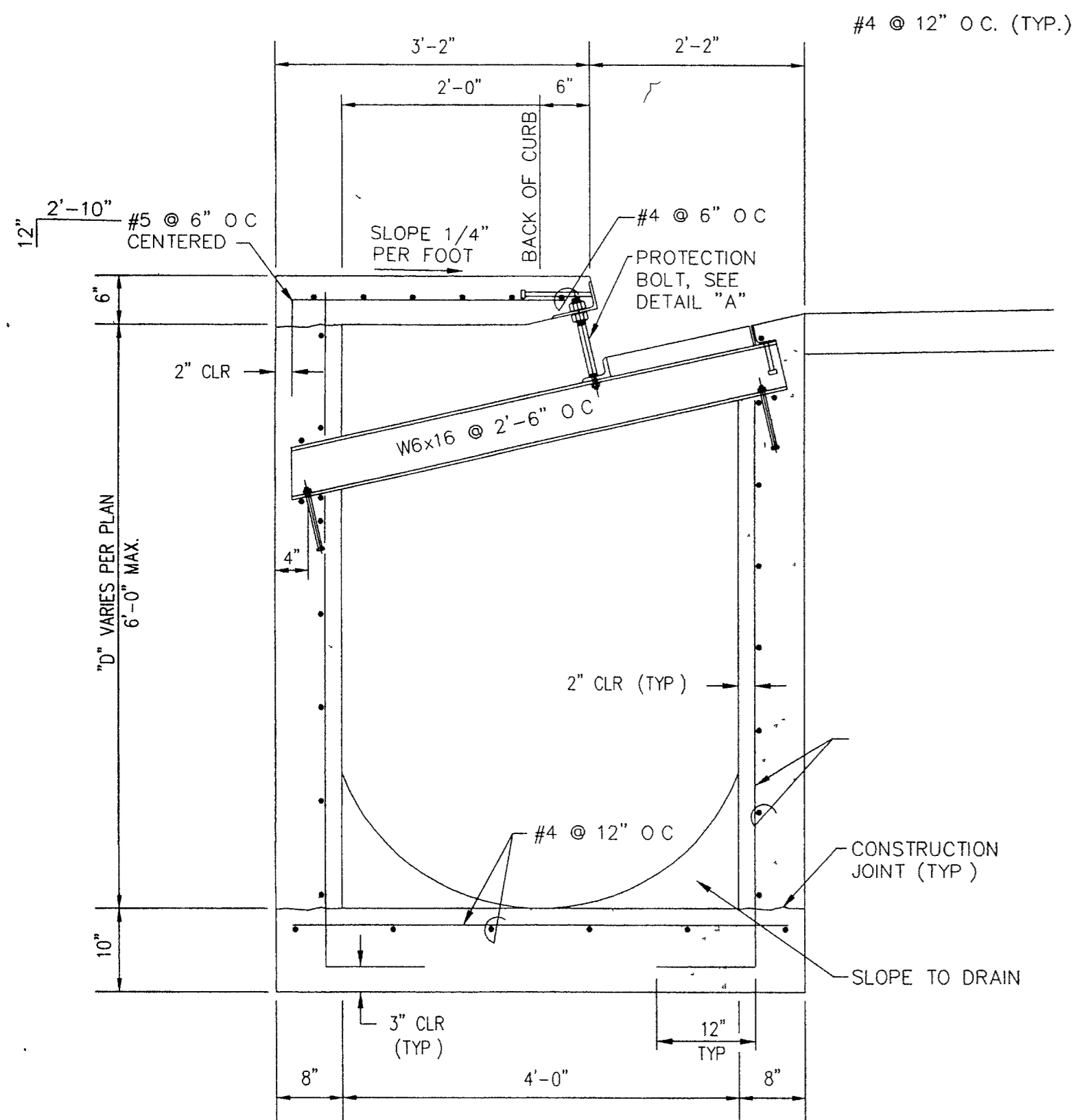


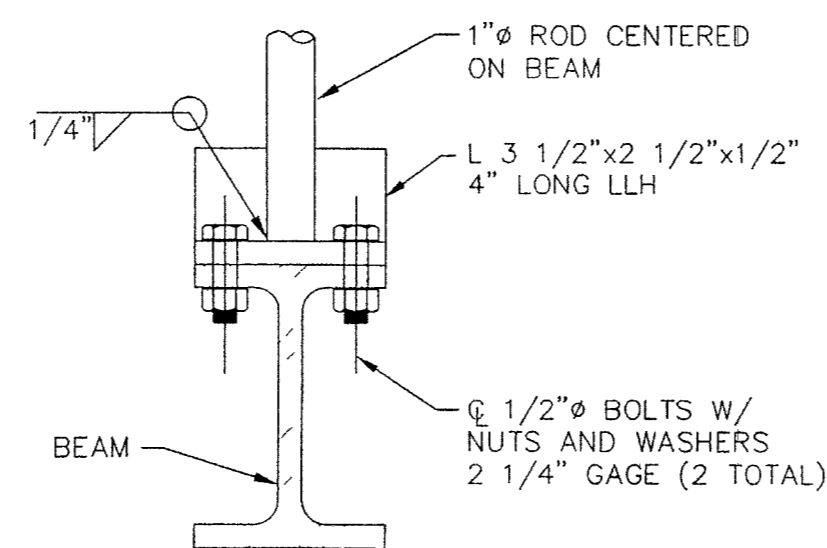
SECTION "A"
SCALE 3/4"=1'



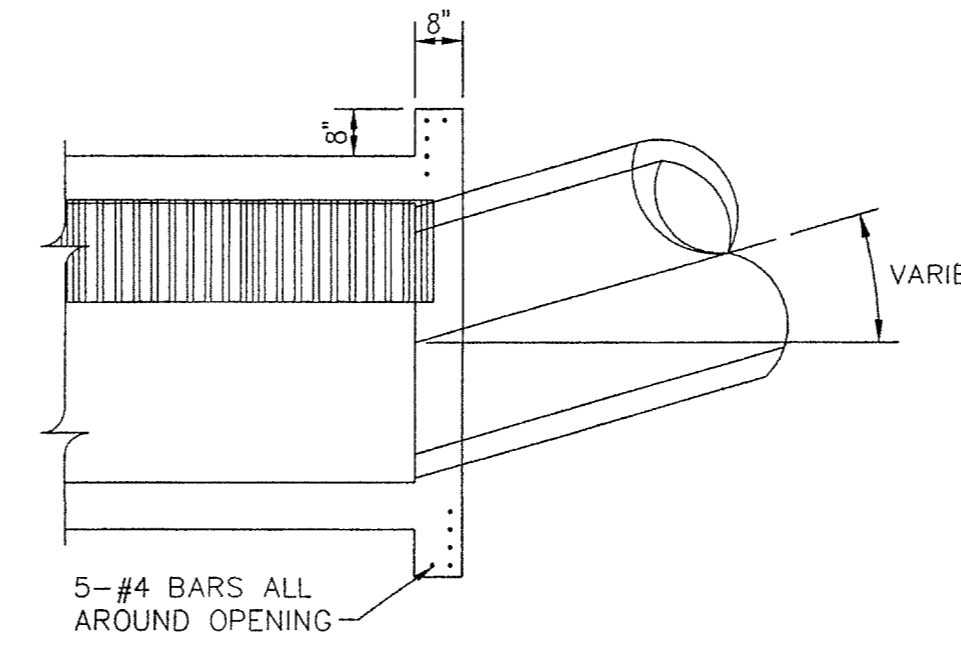
DROP INLET LAYOUT PLAN
SCALE 3/8"=1'



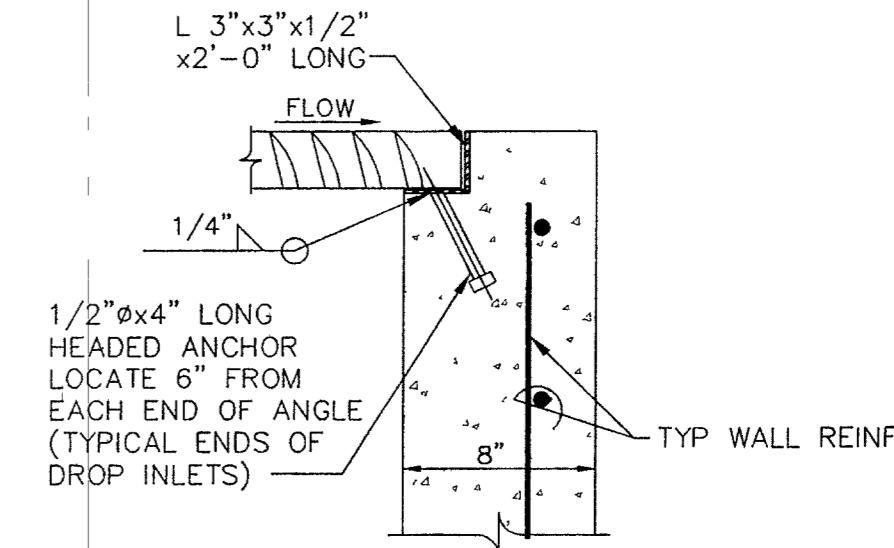
TYPE "CM" DROP INLET SECTION
SCALE 3/4"=1'



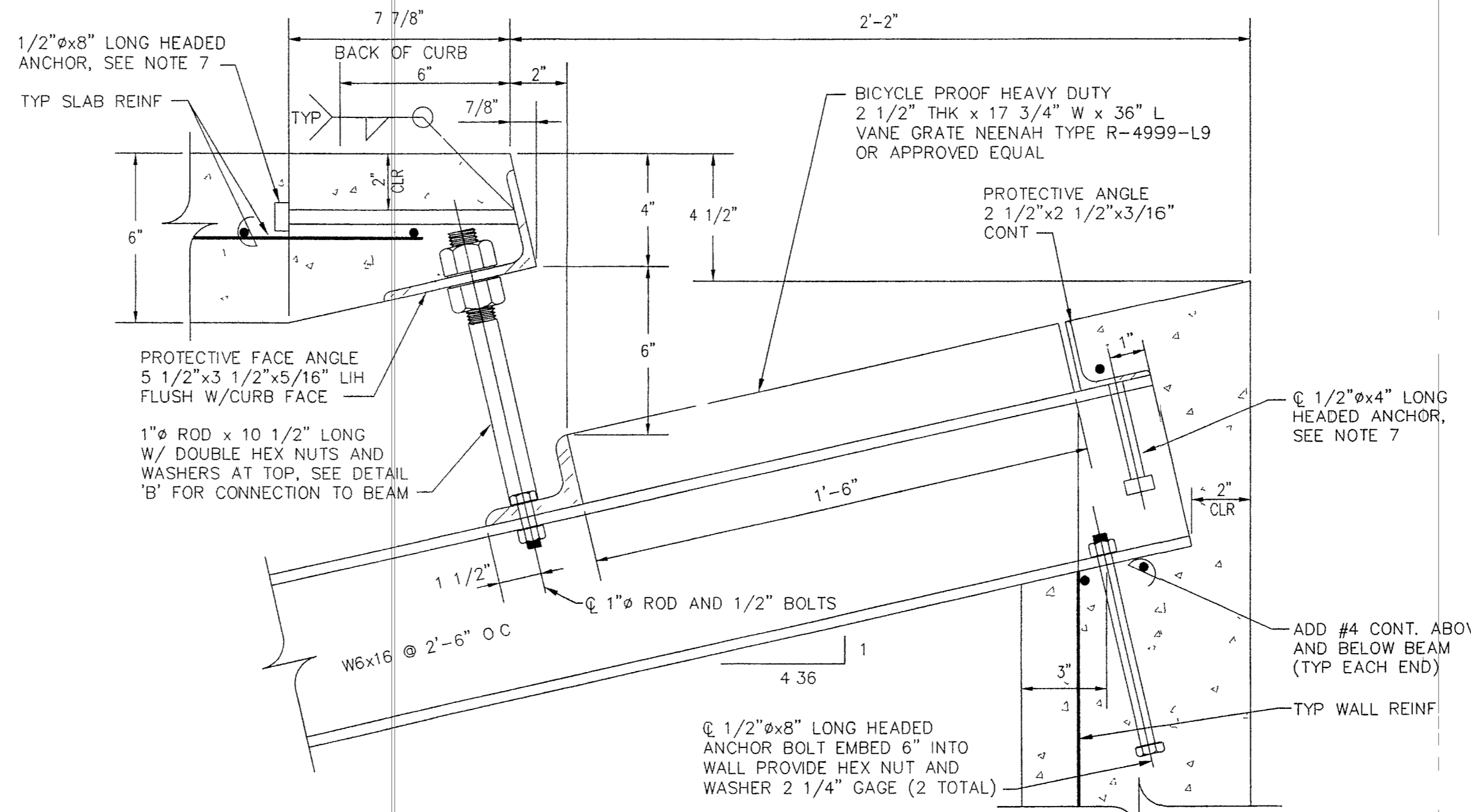
DETAIL "B"
SCALE 3"=1'



ALTERNATE CONNECTION DETAIL
SCALE 3/8"=1'



SECTION "B"
SCALE 1-1/2"=1'



PROTECTIVE FACE & ROD - DETAIL "A"
SCALE 3"=1'

NOTES:

- 1 ALL EXPOSED METALS SHALL BE HOT DIP GALVANIZED AFTER FABRICATION
- 2 PROVIDE 1/2" (MIN.) CLEARANCE ALL AROUND THE STEEL BEAM, DRY PACK AFTER INSTALLATION
- 3 WHEN REQUIRED BY LENGTH OF OPENING, PLATE ANGLE MAYBE DELIVERED IN SECTIONS AND BUTT WELDED IN PLACE
- 4 ALL GALVANIZING DAMAGED BY WELDING SHALL RECEIVE TWO COATS OF GALVALLOY OR EQUAL
- 5 CONCRETE SHALL BE MODIFIED CLASS DA
- 6 ANGLE ANCHORS SHALL BE EMBEDDED MIDPOINT IN EACH ENDWALL AND EVENLY SPACED (MAXIMUM SPACING OF 2')

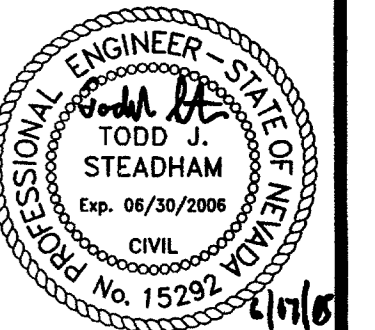
NO.	DESCRIPTION	DATE	BY	APP.

CLARK COUNTY, NEVADA

PINNACLE HOMES
SABLE CREEK
DROP INLET DETAILS

SECTION 18
TOWNSHIP 19 SOUTH
RANGE 60 EAST, M.D.M.

DATE: 06/20/05
DRAFTER: DMB
DESIGNER: DMB
CHECKED: TJS
PROJECT NO.
PIN0402-001



D-5
SHEET 41 OF 44
CLV DWG # 2017930
CC HTE# 05-7995

File: J:\Pin0402-5000\Drawings\pin0402-001-Detail.dwg, Jun 20, 2005 - 13:43

8768