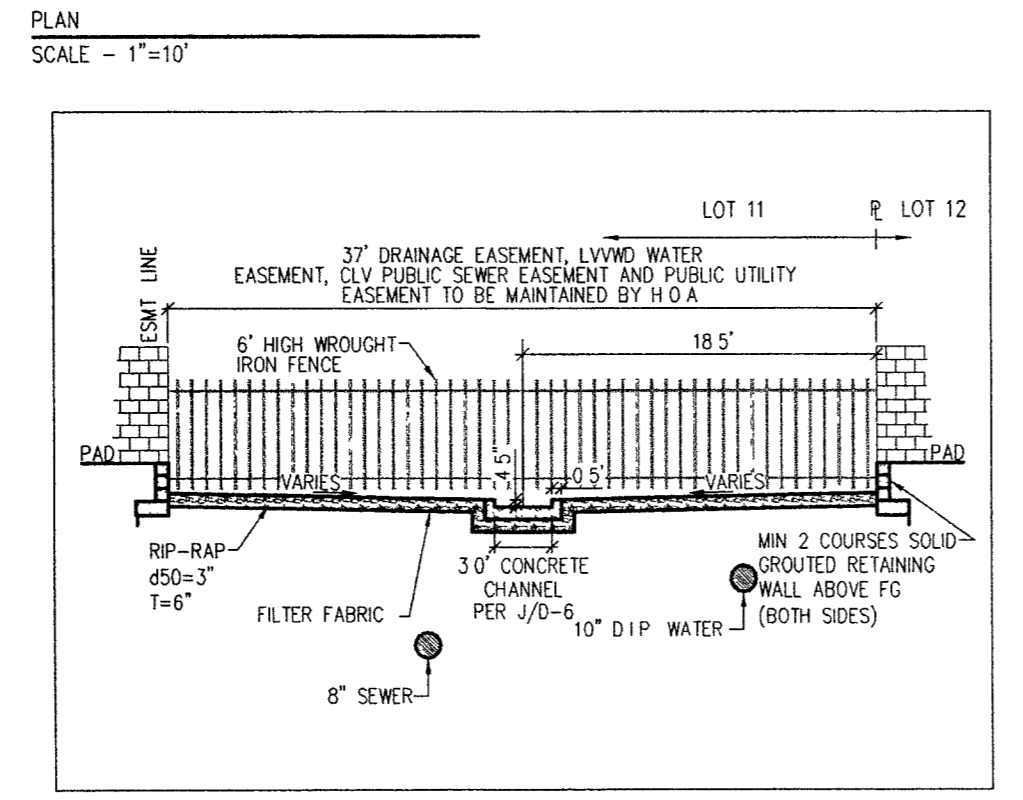
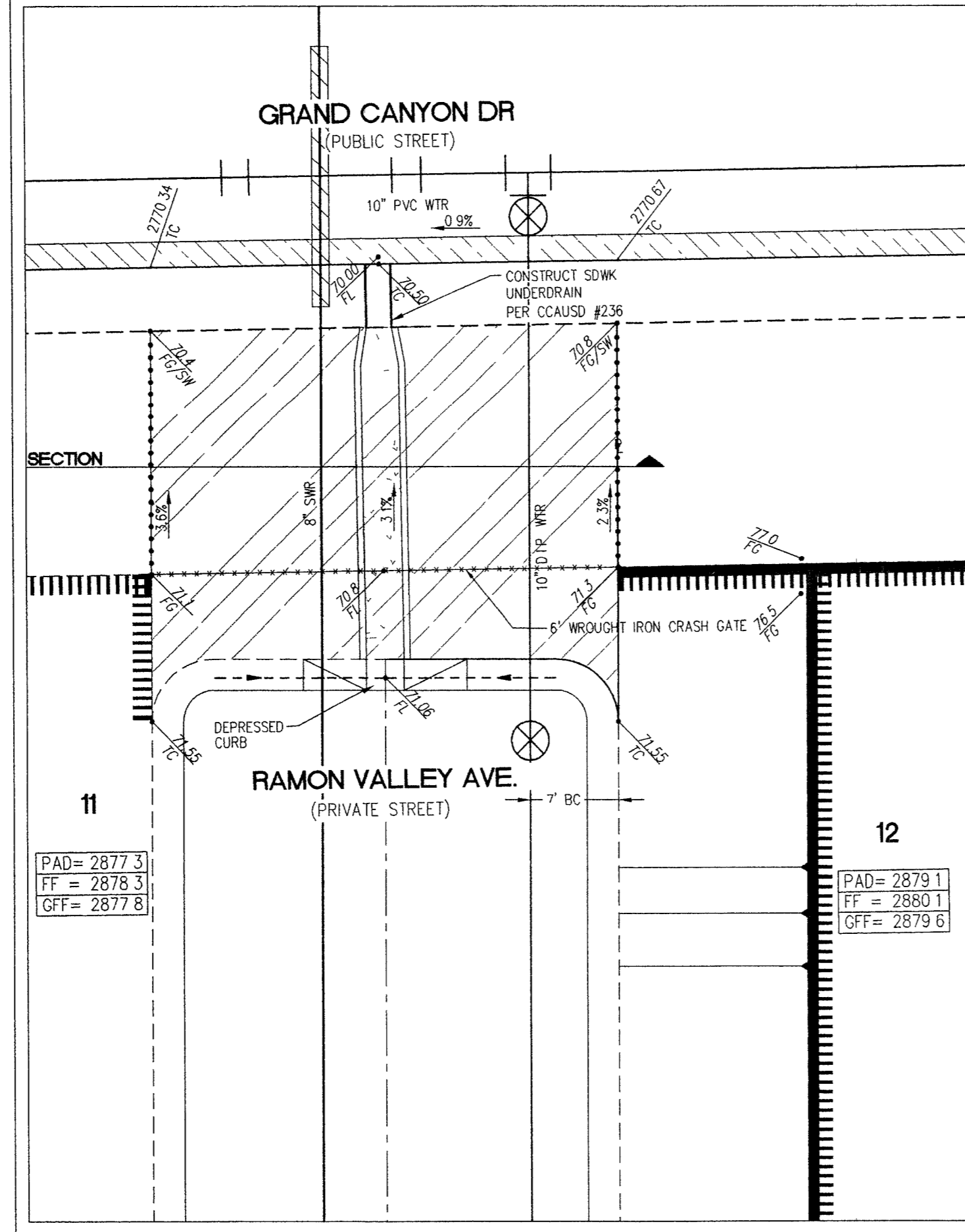
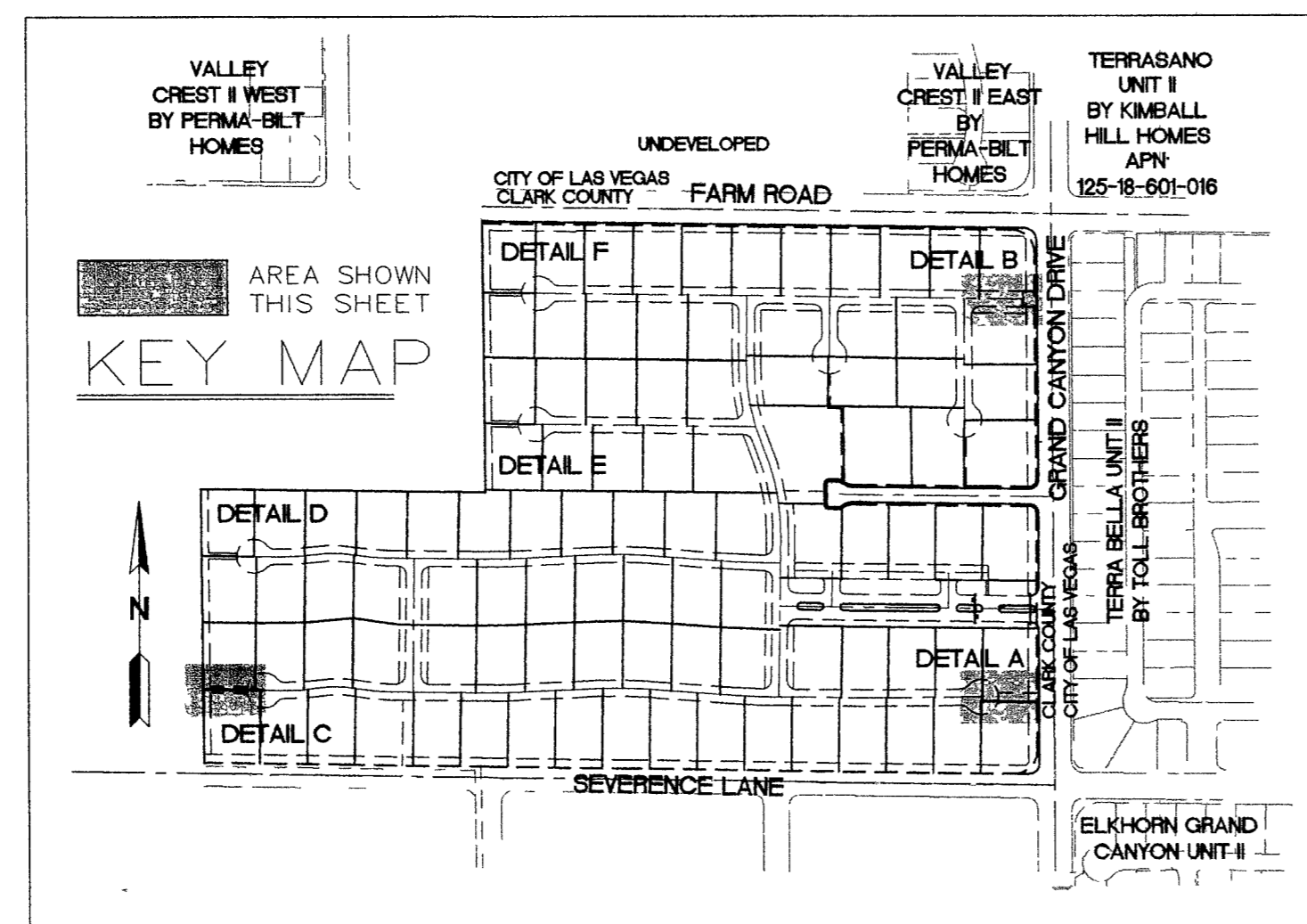


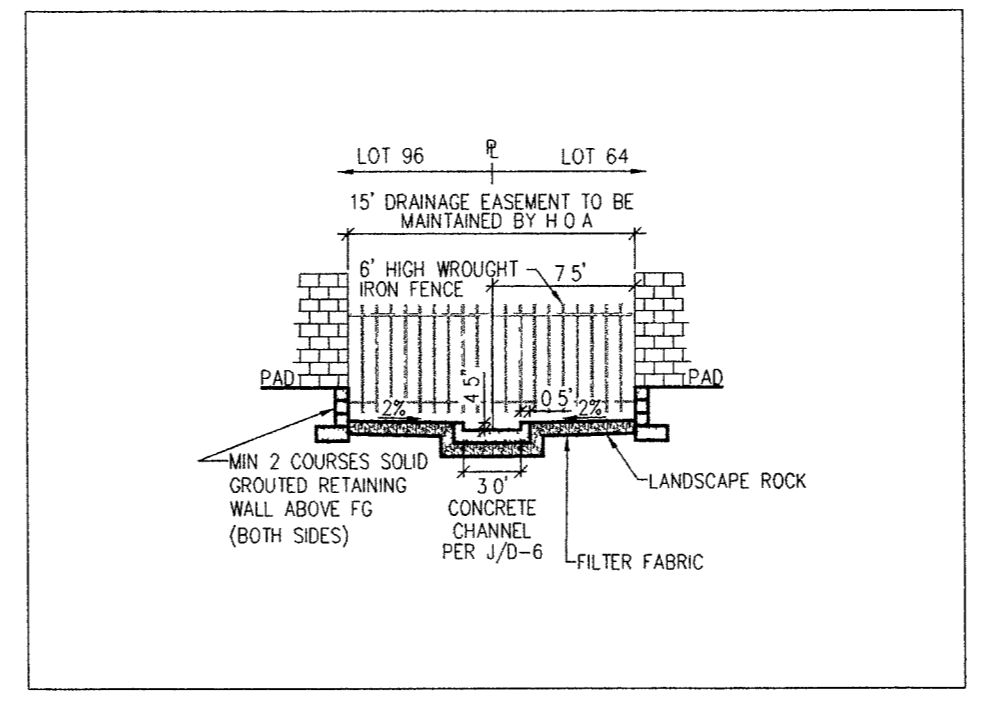
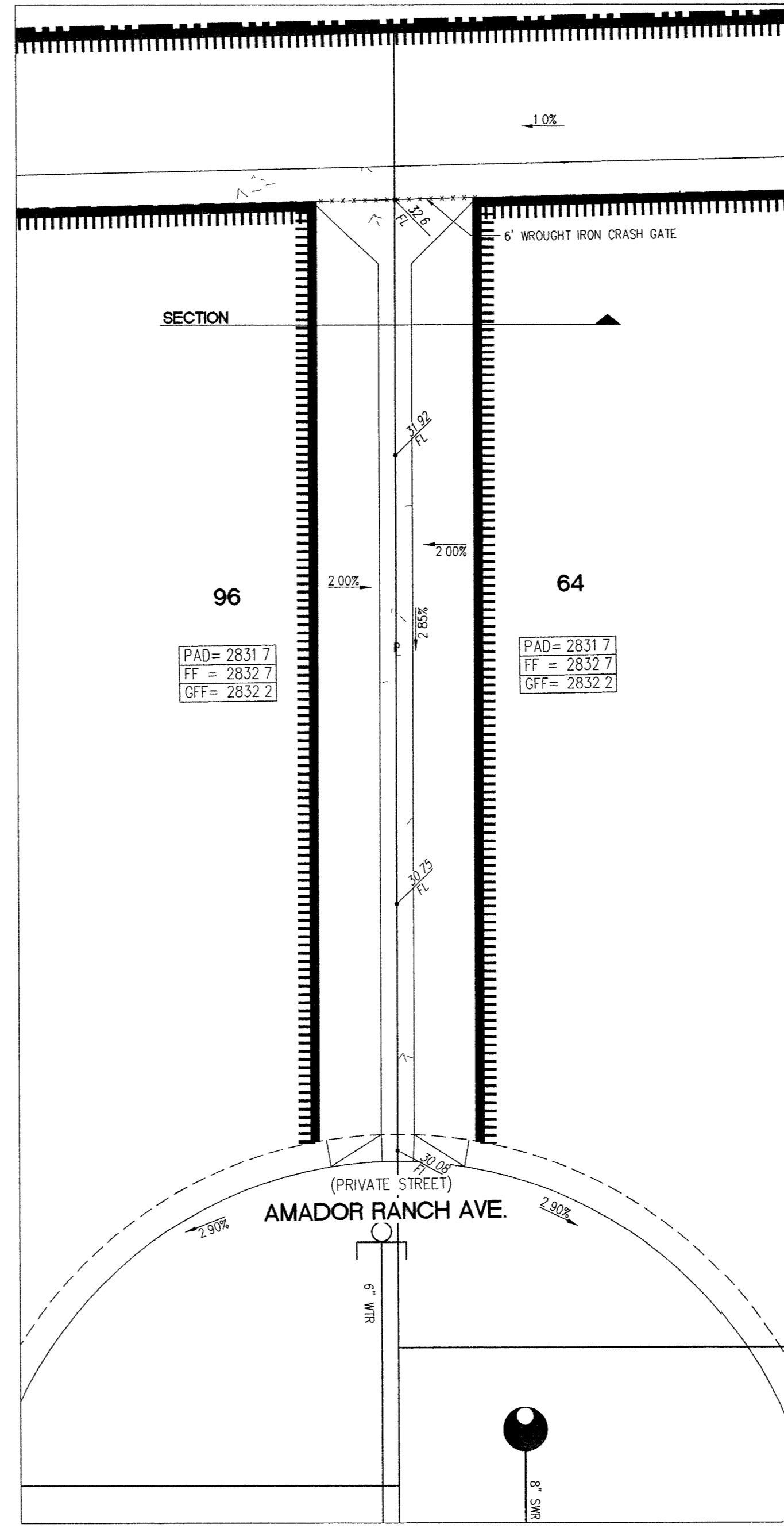
A. DRAINAGE/SEWER EASEMENT DETAIL



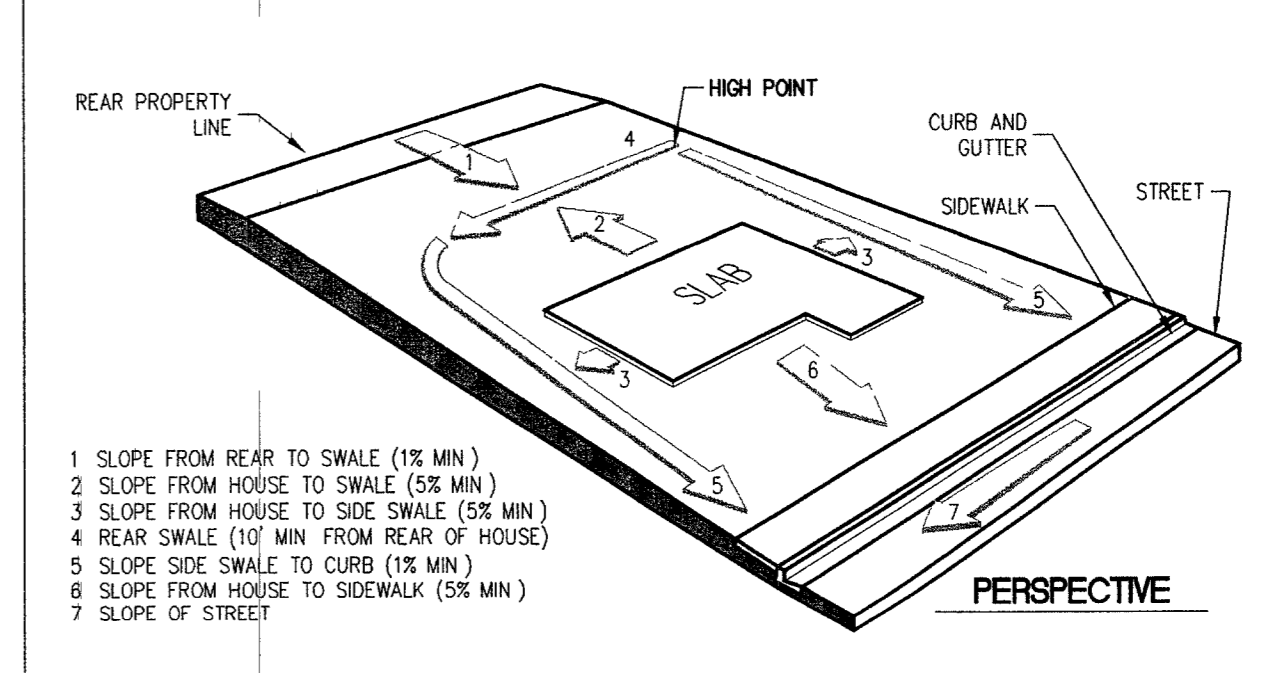
B. DRAINAGE/SEWER UTILITY EASEMENT DETAIL



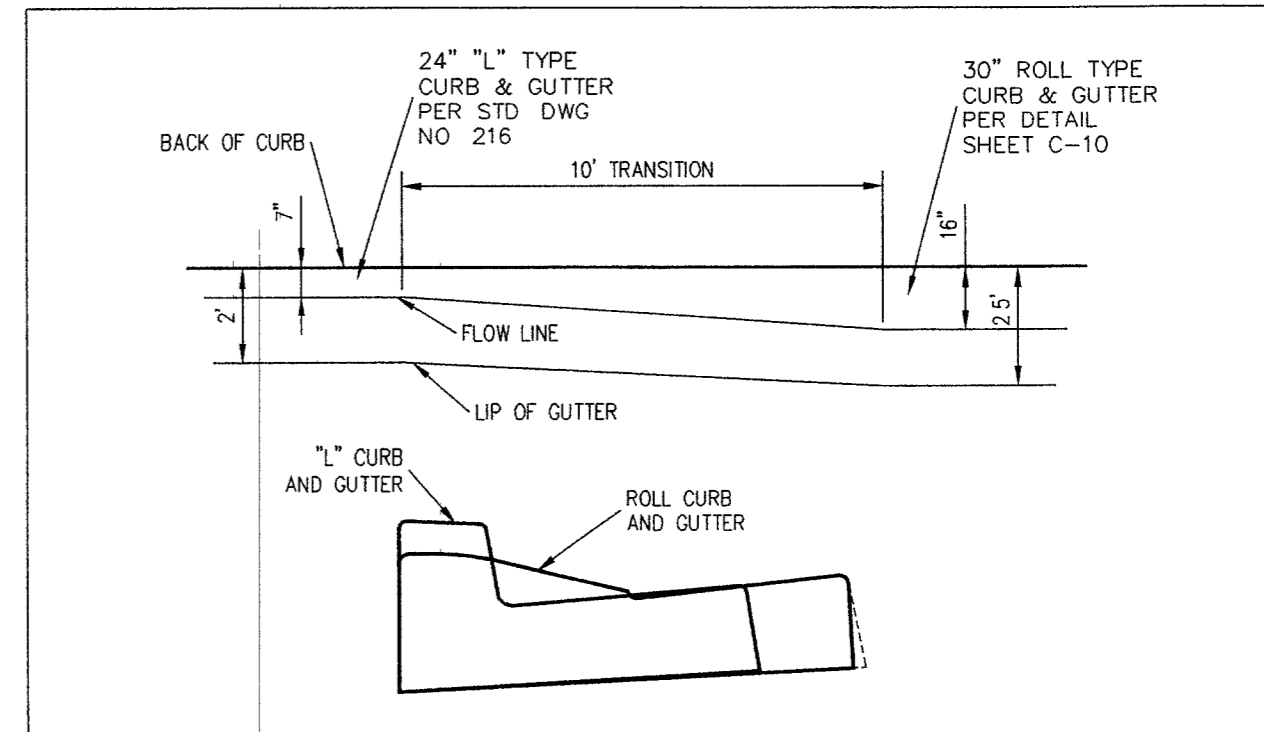
KEY MAP



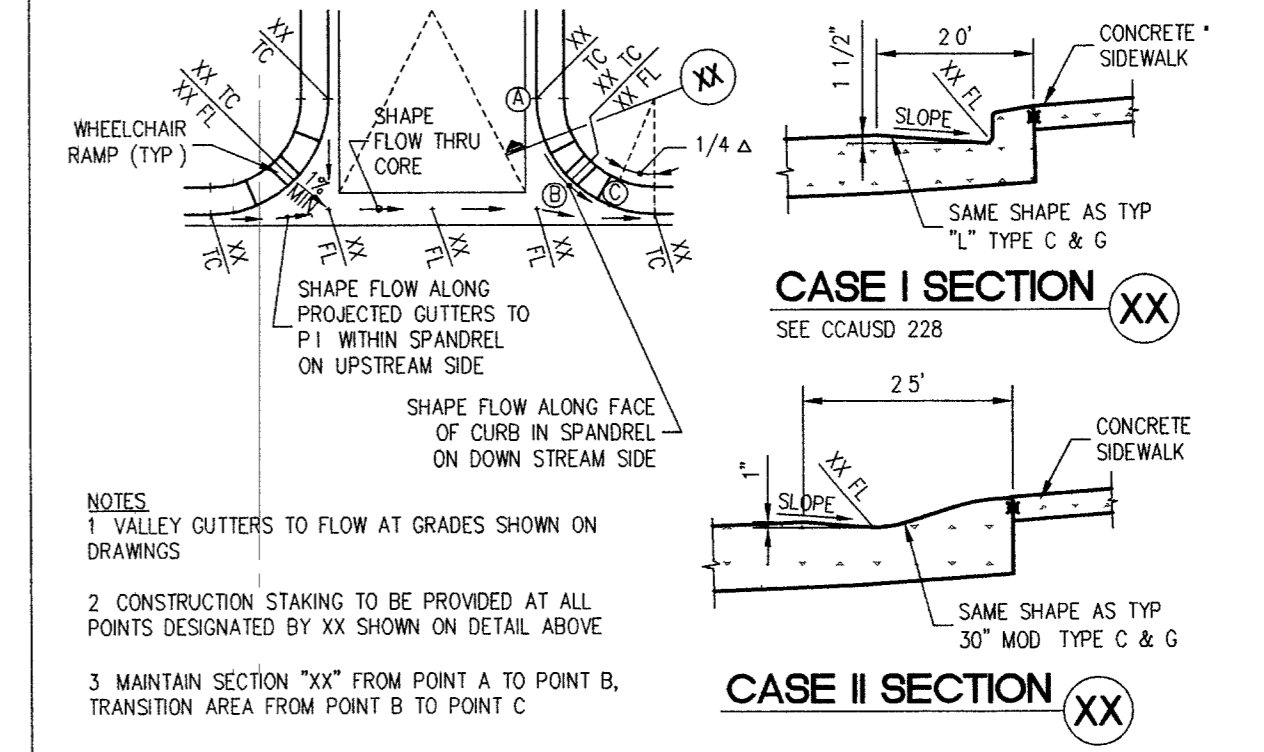
C. TYPICAL 15' DRAINAGE EASEMENT DETAIL



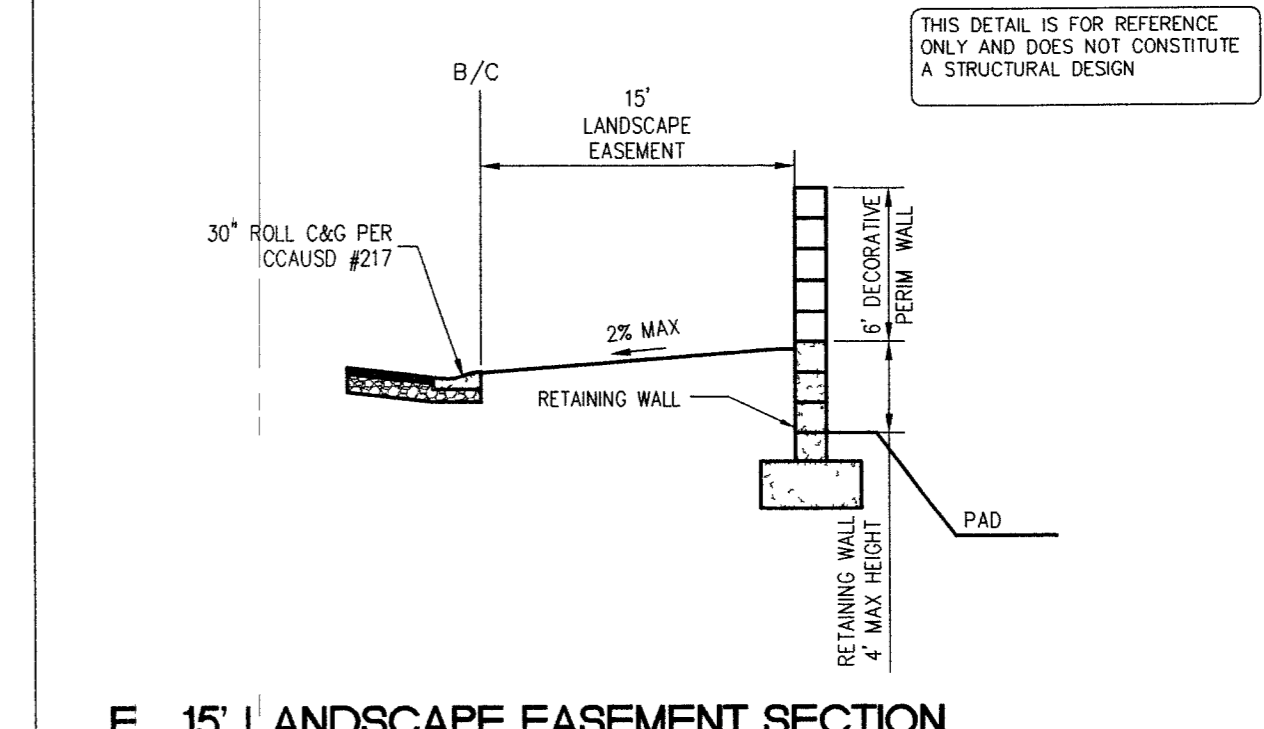
TYPICAL LOT GRADING



X 10' TRANSITION FROM 24" L CURB AND GUTTER TO 30" ROLL CURB AND GUTTER



TYPICAL CROSS GUTTER DETAIL



E 15' LANDSCAPE EASEMENT SECTION

APPROVED FOR CONSTRUCTION
 LAS VEGAS VALLEY WATER DISTRICT
 PROJECT # H108887
 DATE 7-11-05

AVOID HITTING OVERHEAD POWER LINES IT'S COSTLY
CALL BEFORE YOU DO OVERHEAD
 1-702-227-2929

Avoid cutting underground utility lines. It's costly
Call before you Dig.
 1-800-227-2600
 UNDERGROUND SERVICE (USA)

Call before you underground
 1-702-455-7511
 1-702-229-6611

SLATER HANFAN GROUP
S-H GROUP
 CONSULTING ENGINEERS & PLANNERS
 5740 S. ARVILLE STREET #216, LAS VEGAS, NV 89118
 PHONE (702) 284-5300 FAX (702) 284-5399

NO.	DESCRIPTION	DATE	BY	APP.

CLARK COUNTY, NEVADA

PINNACLE HOMES
SABLE CREEK
 DRAINAGE CHANNEL SECTIONS AND DETAILS

SECTION B
 TOWNSHIP 19 SOUTH
 RANGE 60 EAST, M.D.M.

DATE: 07/07/05
 DRAFTER: JR
 DESIGNER: TS/JB
 CHECKED: TS
 PROJECT NO.
PIN0402-001

PROFESSIONAL ENGINEER STATE OF NEVADA
 TODD J. STEADHAM
 Exp. 06/30/2006
 CIVIL
 License No. 15292

D-2
 SHEET 38 OF 44
 CLV DWG # 307V930
 CC H#E 05-7995