

STREETLIGHT CIRCUIT CAPACITY VERIFICATION FOR CIRCUIT "SP1(A)" (PUBLIC)

IS THERE AN EXISTING SERVICE PEDESTAL IN THE FIELD (NOT PROPOSED) ADJACENT TO THIS PROPERTY THAT MIGHT BE ABLE TO BE USED TO POWER THIS PROJECT'S STREETLIGHTS? (CIRCLE)	YES	CLARK COUNTY TRAFFIC OPERATIONS MUST VERIFY
	NO	INSTALL A NEW PEDESTAL

SERVICE LOCATION SW CORNER OF GRAND CANYON DR AND FARM RD

CLARK COUNTY TRAFFIC OPERATIONS

(COMPLETE IF EXISTING SERVICE)

NAME AND TITLE OF PERSON WHO DID FIELD TESTING

1 FIELD VERIFIED THIS ELECTRICAL SERVICE FOR CAPACITY (ONE MUST BE CIRCLED) YES NO

SIGNATURE

ENGINEER OF THE OFFSITE PLANS

PERSON WHO DID THE CALCULATIONS DAVID BENNETT
CONSULTING ENGINEERING FIRM SLATER HANIFAN GROUP

CAPACITY CALCULATIONS

1 CIRCUIT CAPACITY	60	AMPS
2 MAXIMUM CONTINUOUS CURRENT DRAW (80%)	48	AMPS
3 EXISTING CIRCUIT LOAD (ENTER 0 IF NEW)	0	AMPS
4 AVAILABLE (2 MINUS 3)	48	AMPS

PROPOSED LUMINAIRE LOAD TO CIRCUIT

5 4 NUMBER OF 100 WATT STILTS @ 1.0 AMPS/EA	4	AMPS
6 15 NUMBER OF 250 WATT STILTS @ 1.5 AMPS/EA	22.5	AMPS
7		
8 TOTAL PROPOSED ADDITIONAL LOAD (5 + 6 + 7)	26.5	AMPS
REMAINING AVAILABLE LOAD (4 MINUS 7)	21.5	AMPS

STREETLIGHT CIRCUIT CAPACITY VERIFICATION FOR CIRCUIT "SP2(A)" (PRIVATE)

IS THERE AN EXISTING SERVICE PEDESTAL IN THE FIELD (NOT PROPOSED) ADJACENT TO THIS PROPERTY THAT MIGHT BE ABLE TO BE USED TO POWER THIS PROJECT'S STREETLIGHTS? (CIRCLE)	YES	CLARK COUNTY TRAFFIC OPERATIONS MUST VERIFY
	NO	INSTALL A NEW PEDESTAL

SERVICE LOCATION SW SIDE OF DANVILLE AVE ENTRANCE GATE

CLARK COUNTY TRAFFIC OPERATIONS

(COMPLETE IF EXISTING SERVICE)

NAME AND TITLE OF PERSON WHO DID FIELD TESTING

1 FIELD VERIFIED THIS ELECTRICAL SERVICE FOR CAPACITY (ONE MUST BE CIRCLED) YES NO

SIGNATURE

ENGINEER OF THE OFFSITE PLANS

PERSON WHO DID THE CALCULATIONS DAVID BENNETT
CONSULTING ENGINEERING FIRM SLATER HANIFAN GROUP

CAPACITY CALCULATIONS

1 CIRCUIT CAPACITY	60	AMPS
2 MAXIMUM CONTINUOUS CURRENT DRAW (80%)	48	AMPS
3 EXISTING CIRCUIT LOAD (ENTER 0 IF NEW)	0	AMPS
4 AVAILABLE (2 MINUS 3)	48	AMPS

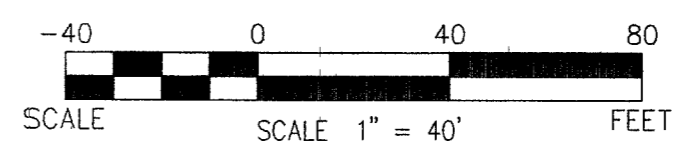
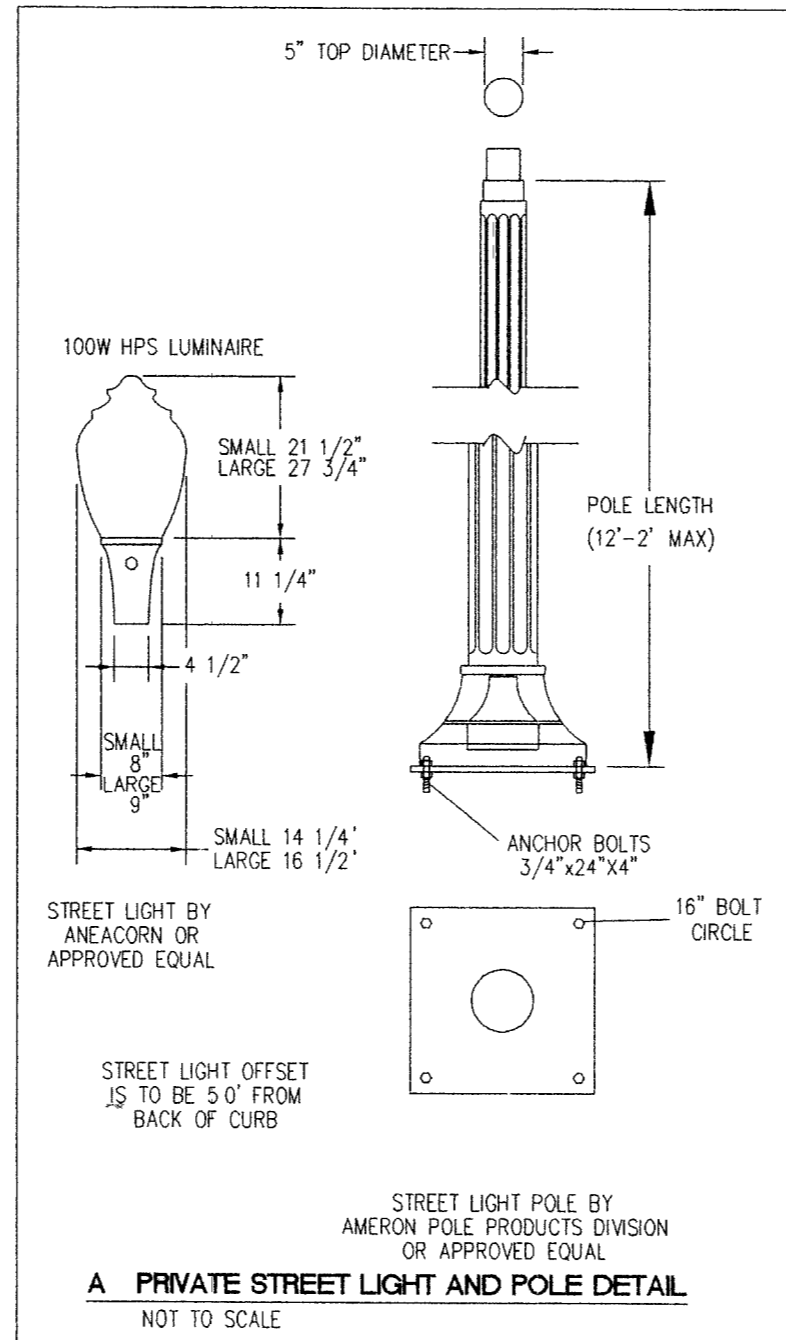
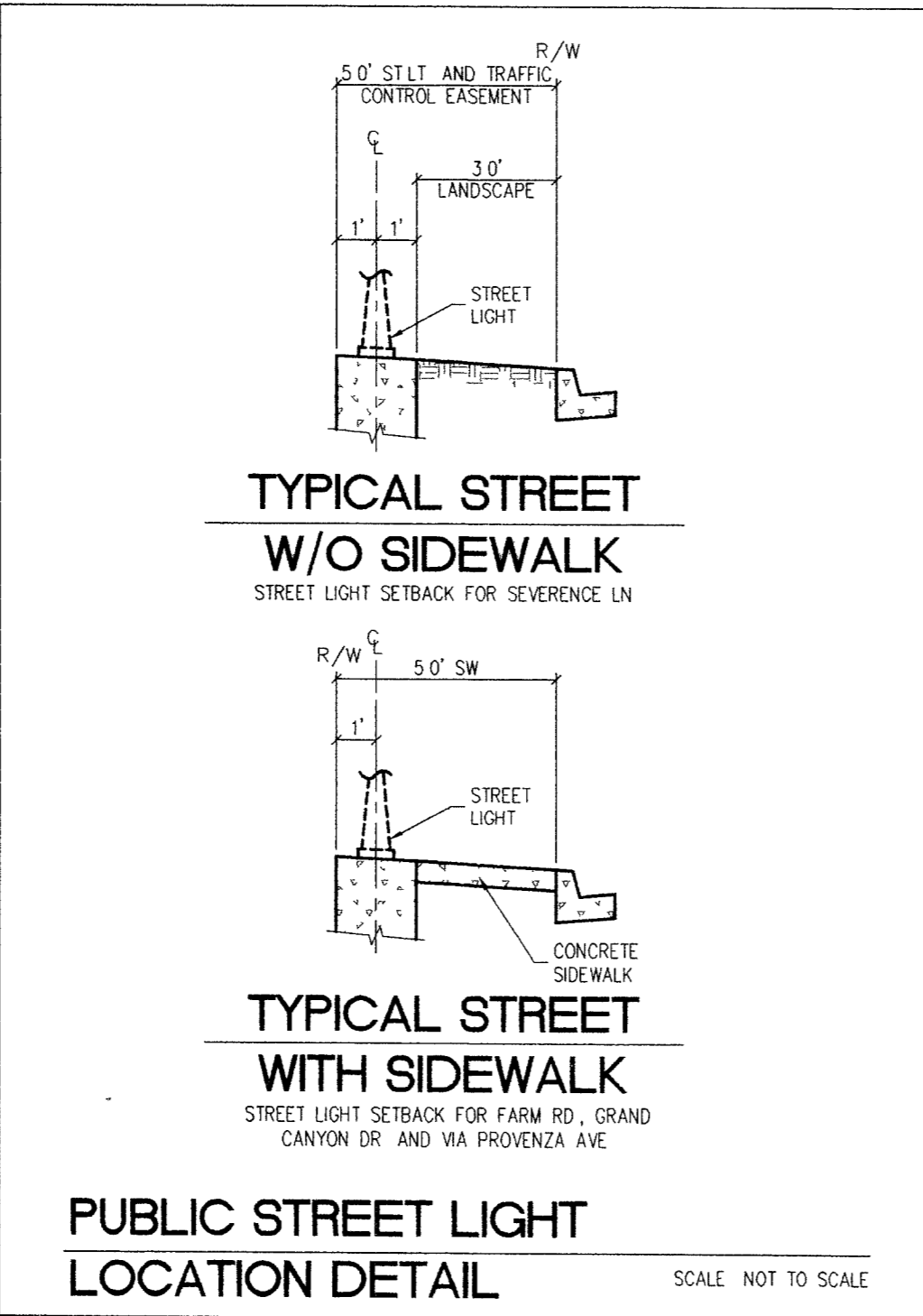
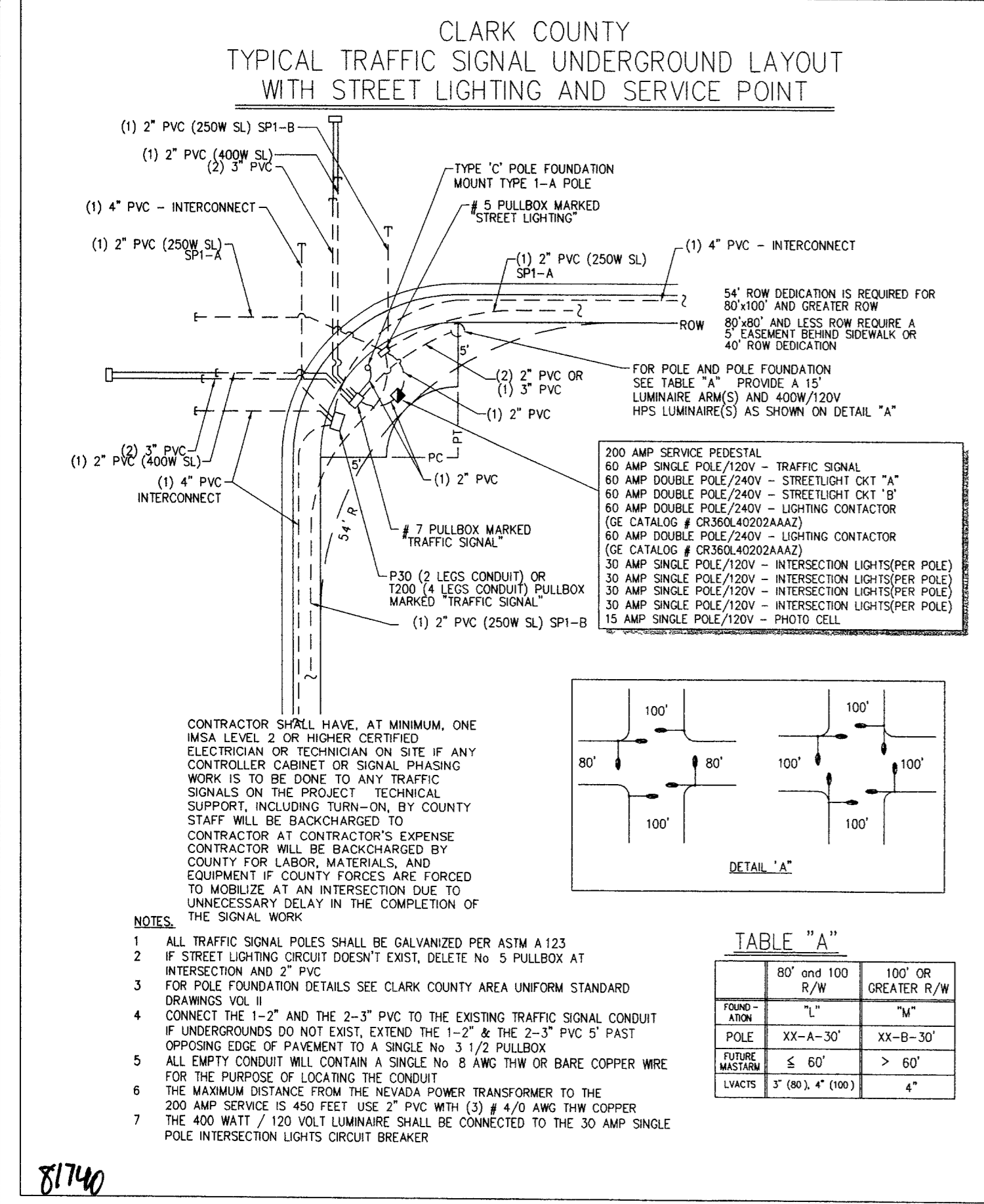
PROPOSED LUMINAIRE LOAD TO CIRCUIT

5 17 NUMBER OF 100 WATT STILTS @ 1.0 AMPS/EA	17	AMPS
6 0 NUMBER OF 250 WATT STILTS @ 1.5 AMPS/EA	0	AMPS
7 0 NUMBER OF 400 WATT STILTS @ 3.9 AMPS/EA	0	AMPS
8 TOTAL PROPOSED ADDITIONAL LOAD (5 + 6 + 7)	17	AMPS
REMAINING AVAILABLE LOAD (4 MINUS 7)	31.0	AMPS

- ### STREETLIGHTING NOTES
- PROPOSED 1-1/4" CONDUIT ONLY
 - PROPOSED 1-1/4" CONDUIT CONTAINING 2-#4, 1#8 GND [CIRCUIT SP1(A)], AVOIDING FIRE HYDRANT WERE NEEDED
 - CONNECT EXISTING CONDUIT TO PROPOSED WITHOUT CONNECTING CIRCUITS
 - PROPOSED 2" CONDUIT CONTAINING 2-#4, 1#8 GND [CIRCUIT SP1(A)], AVOIDING FIRE HYDRANT WERE NEEDED
 - PROPOSED 100W HPS SINGLE STREETLIGHT ASSEMBLY AND FOUNDATION PER USD 314, 320 & 321 [CIRCUIT SP1(A)]
 - PROPOSED 250W HPS SINGLE STREETLIGHT ASSEMBLY AND FOUNDATION PER USD 314, 320 & 321 [CIRCUIT SP1(A)]
 - PROPOSED XX-A-30' POLE PER CC TRAFFIC SIGNAL LAYOUT DETAIL ON SHEET T-6 [CIRCUIT SP1(A)]
 - PROPOSED 100W HPS DECORATIVE LIGHTING POLE PER DETAIL (A/T-1) OR EQUIVALENT [CIRCUIT SP2(A)]
 - STUB OUT AND CAP 5 FT PAST PROPERTY LINE
 - PROPOSED 3" FAST CONDUIT W/ (1) #8 BARE WIRE OR GREEN CONDUCTOR
 - INSTALL P-30 PULLBOX WITH "FIBER OPTIC" INSCRIBED ON THE LID PER COUSS 623003-01
 - INSTALL BLUE COLORED REFLECTIVE RAISED PAVEMENT MARKERS PER [97] UFC SEC. 901.4.3
 - INSTALL R1-1 30" X 30" STOP SIGN
 - INSTALL W14-2 "NO OUTLET" SIGN
 - INSTALL R7-1APR, "NO PARKING ANYTIME" SIGN
 - INSTALL 0-3 STREET NAME SIGN PER USD DWG NO 250 & 251 (9", TWO PER POLE)
 - INSTALL 0M-3R EDGE SIGN (25" ON CENTER)
 - INSTALL BARRICADE AND END OF ROAD MARKERS PER COUSS NO 601
 - INSTALL R2-1, 35 M P.H SPEED LIMIT SIGN
 - INSTALL W8-3, "PAVEMENT ENDS" SIGN
 - INSTALL D-3 STREET NAME SIGN PER USD DWG NO 250 & 251 (12", TWO PER POLE)
 - INSTALL TEMPORARY #3.5 PULL BOX

- ### ELECTRICAL NOTES
- ALL UNDERGROUND CONDUIT SHALL BE TYPE RMC (RIGID NONMETALLIC CONDUIT), SCHEDULE 40 PVC AND SHALL BE INSTALLED PER DETAIL THIS SHEET ABOVE GRADE CONDUIT SHALL BE TYPE RMC (RIGID METALLIC CONDUIT) CONDUIT RISERS SHALL BE TYPE RMC WITH PVC COATING OR TAPE WRAP ALL CONDUIT WHICH WOULD OTHERWISE BE EMPTY SHALL INCLUDE A NYLON PULLSTRING AND 1#8 FOR LOCATING PURPOSES
 - ALL CONDUCTOR SHALL BE STRANDED, 600V, TYPE THW INSULATED COPPER
 - THE ELECTRICAL CONTRACTOR SHALL FURNISH AND INSTALL ALL ELECTRICAL COMPONENTS AND HARDWARE AS REQUIRED BY THE NATIONAL ELECTRICAL CODE, LATEST EDITION, AND SHALL COMPLY WITH THE REQUIREMENTS OF THE INSPECTING AUTHORITY HAVING JURISDICTION

- ### ELECTRICAL SERVICE NOTES
- SP1 200 AMP, SINGLE PHASE, 3 WIRE, 120/240V PAD MOUNTED SERVICE PEDESTAL FEEDER FROM N.P. CO. POINT OF CONNECTION TO BE 2", 2#4/0 THW, 1#4/0 WHITE THW (COPPER) TRANSFORMER TO SERVICE PEDESTAL DISTANCES GREATER THAN 250 FEET FOR SPECIFIED CONDUCTORS MUST BE APPROVED BY ENGINEER SERVICE PEDESTAL SHALL BE LOCATED A MINIMUM OF 30 FEET FROM THE TRANSFORMER
- THE FOLLOWING SHALL BE INCLUDED IN THE SERVICE PEDESTAL:
- 60 AMP, 240V, 2-POLE CIRCUIT BREAKERS,
 - 60 AMP, 240V, 2-POLE LIGHTING CONTACTORS,
 - TEST SWITCHES (ONE FOR EACH CONTACTOR),
 - PHOTOELECTRIC CONTROL,
 - 15 AMP, 120V, SINGLE POLE CIRCUIT BREAKER FOR LIGHTING CONTROLS. CONTRACTOR TO PROVIDE (2) CONDUITS FROM SERVICE PEDESTAL TO FIRST STREETLIGHTING PULLBOX. SERVICE PEDESTAL SHALL COMPLY WITH CLARK COUNTY AREA UNIFORM STANDARD DRAWINGS 330, 331, 332.1 AND 335.1



Avoid cutting underground utility lines. It's costly.

Call before you Dig.

1-800-227-2600

UNDERGROUND SERVICE (USA)

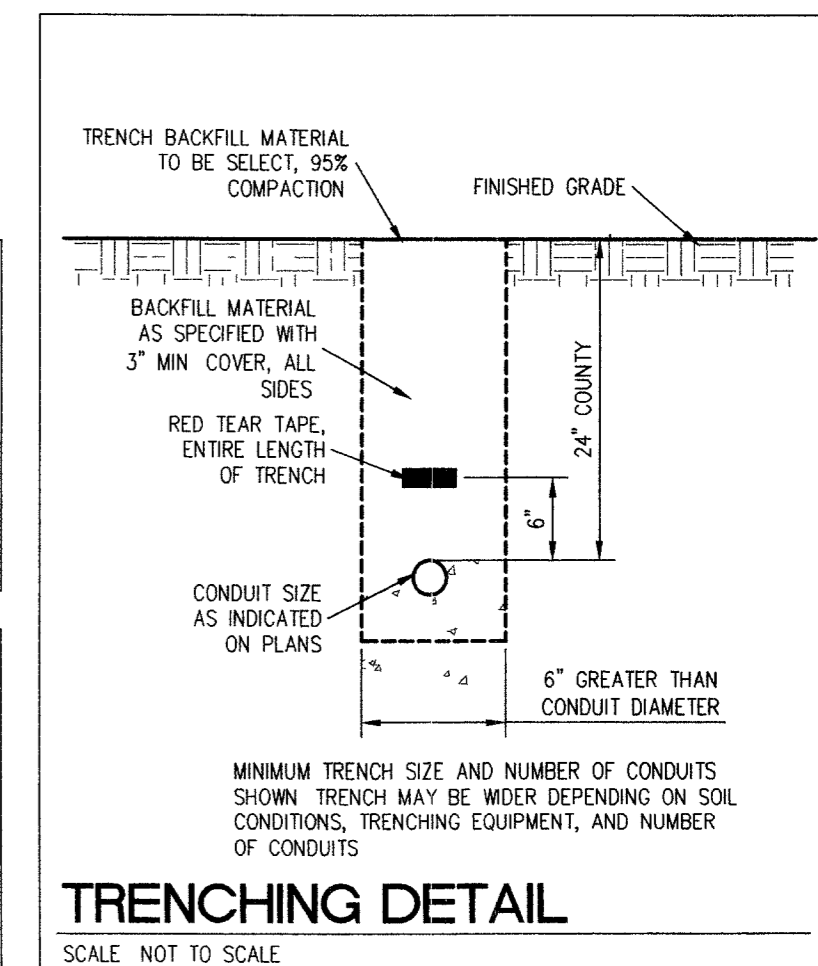
Avoid hitting overhead power lines. It's costly.

Call before you DO OVERHEAD.

UnderGround

1-702-455-7511

1-702-229-6611



SLATER HANIFAN GROUP CONSULTING ENGINEERS & PLANNERS

5740 S. ARVILLE STREET #216, LAS VEGAS, NV 89118
PHONE (702) 284-5500

SECTION 18 TOWNSHIP 19 SOUTH RANGE 60 EAST, M.D.M.

CLARK COUNTY, NEVADA

PINNACLE HOMES SABLE CREEK

TRAFFIC PLAN VI, NOTES AND DETAILS

DATE: 07/07/05

DRAFTER: DMB

DESIGNER: DMB

CHECKED: TJS

PROJECT NO. PIN0402-001

PROFESSIONAL ENGINEER - STATE OF NEVADA

TODD J. STEADHAM

Exp. 06/30/2006

CIVIL No. 15293

T-6

SHEET 13 OF 44

CLV DWG # 8071930

CC HTE# 05-7995