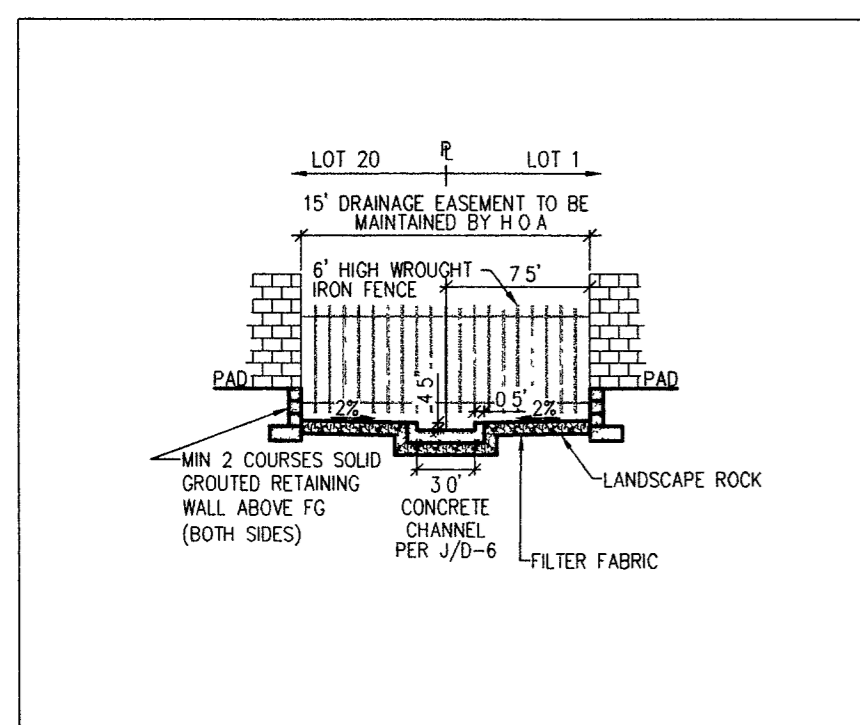
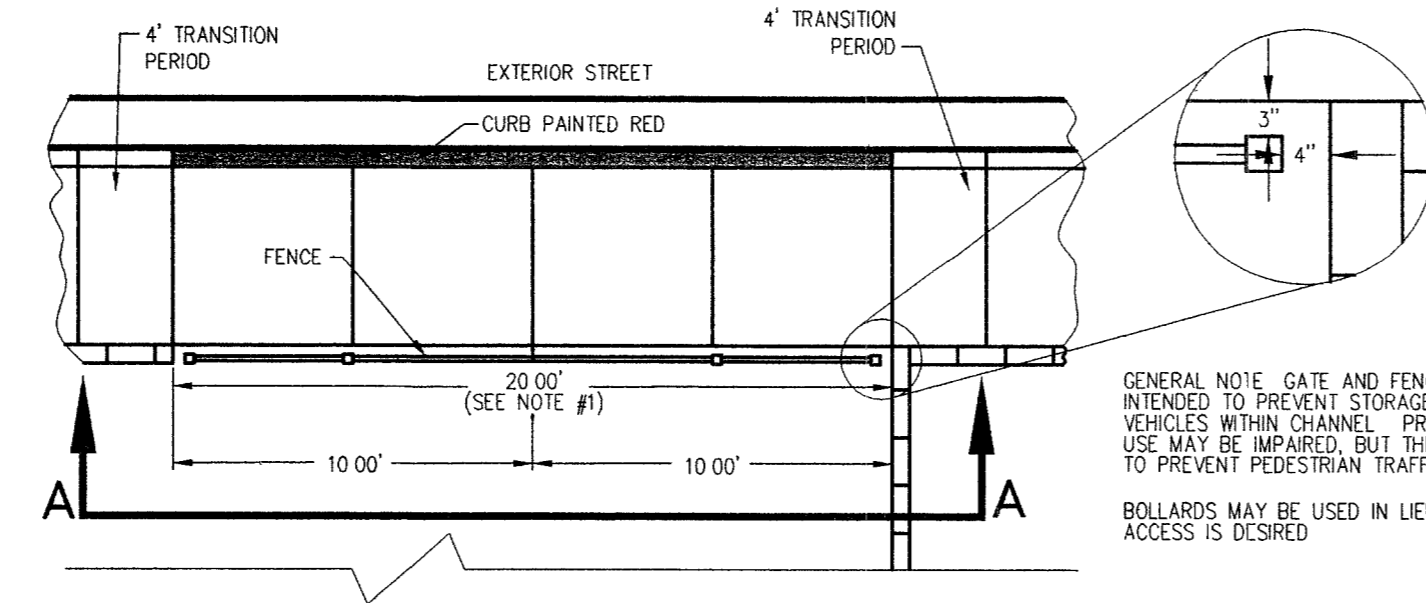


PLAN
SCALE - 1"=10'



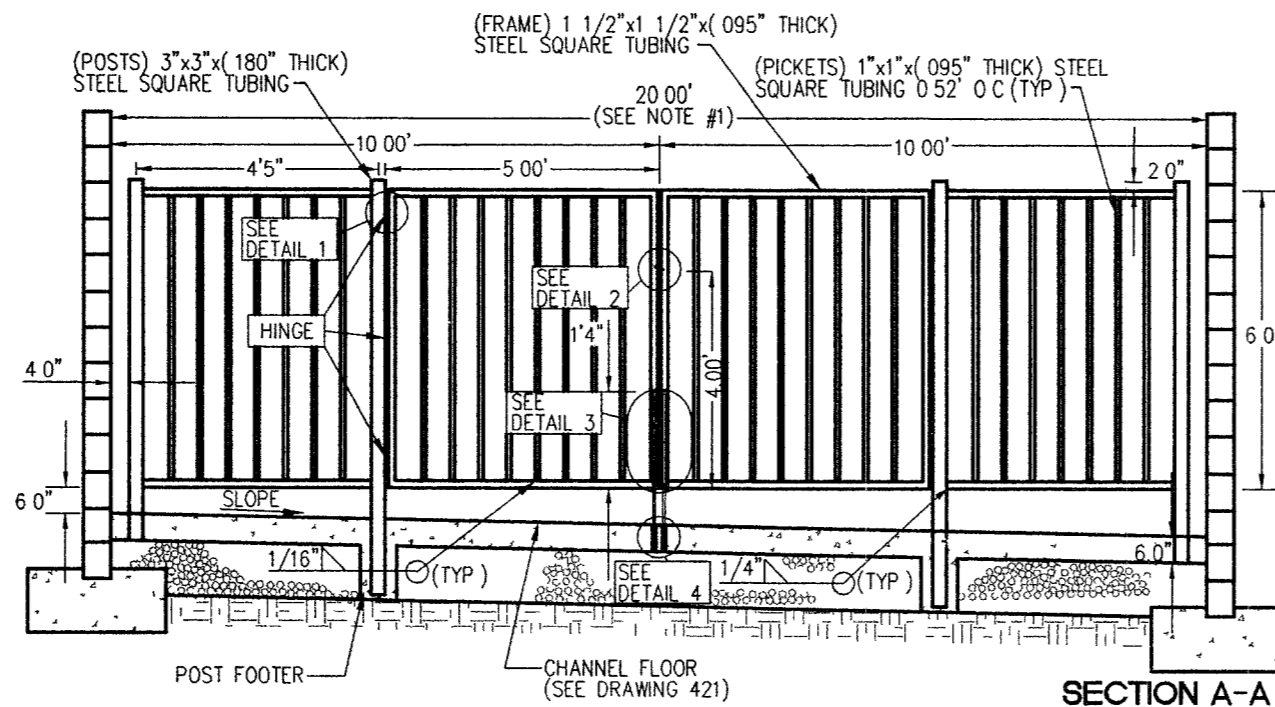
SECTION
SCALE - NTS

F. TYPICAL 15' DRAINAGE EASEMENT DETAIL



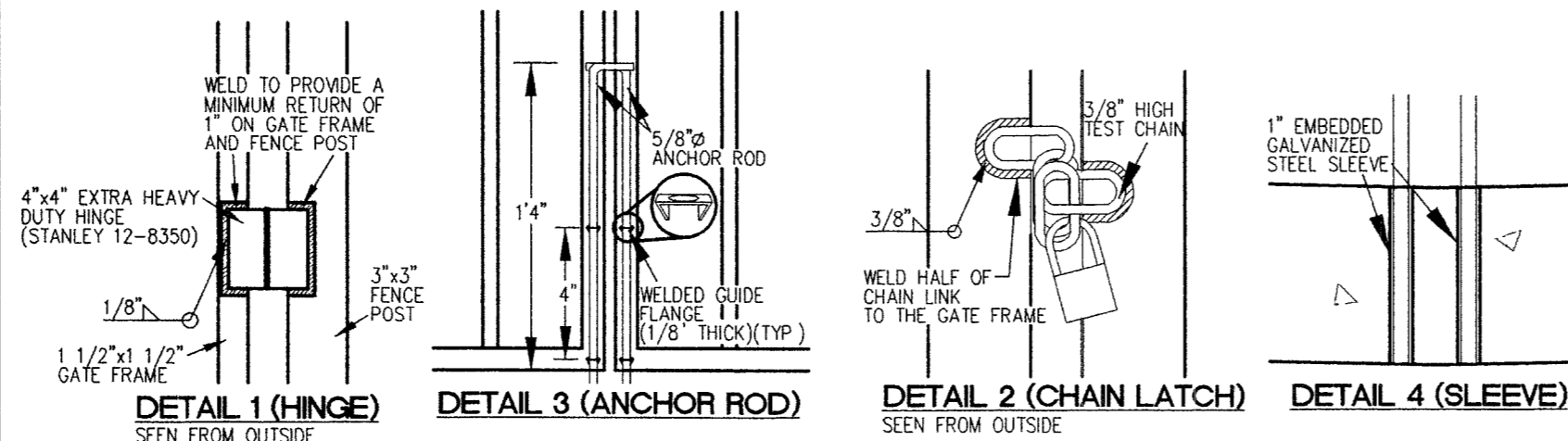
GENERAL NOTE: GATE AND FENCE CONSTRUCTION IS INTENDED TO PREVENT STORAGE OF MATERIALS AND VEHICLES WITHIN CHANNEL. PREVENTION OF PEDESTRIAN USE MAY BE IMPAIRED, BUT THE DESIGN IS NOT INTENDED TO PREVENT PEDESTRIAN TRAFFIC.
BOLLARDS MAY BE USED IN LIEU OF GATE IF PEDESTRIAN ACCESS IS DESIRED.

NOTE #1: 20' STANDARD WIDTH, DIFFERENT WIDTHS TO BE DESIGNED ACCORDINGLY
PLAN VIEW

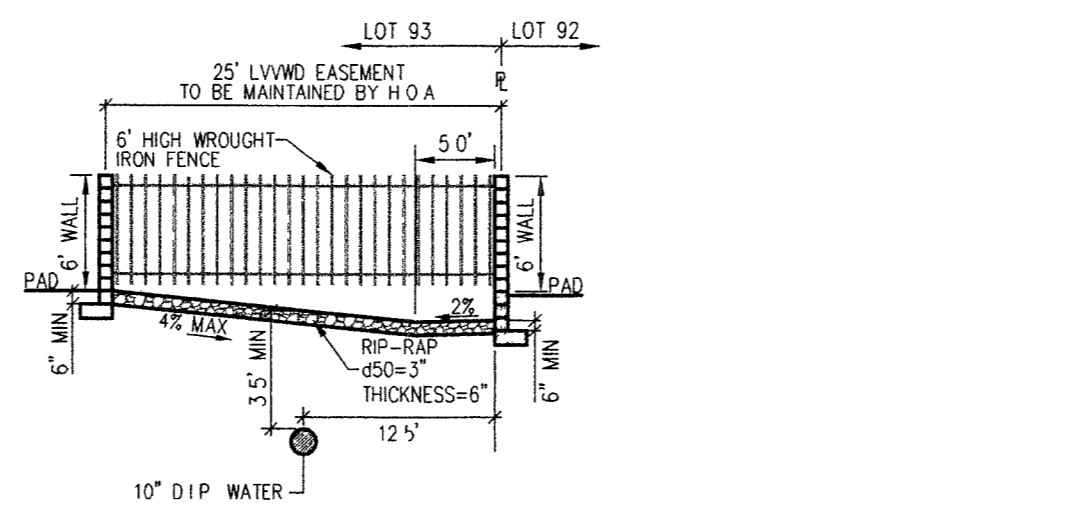


NOTE: POSTS PLACED IN HARDENED CONCRETE REQUIRE AN 8" CORE THROUGH THE SLAB AND BASE FULLY GROUTED WITH HIGH STRENGTH GROUT.
INTERIOR POSTS POURED MONOLITHIC WITH THE SLAB SHALL BE EMBEDDED A MINIMUM OF 18" INTO A 24" X 24" FOOTER. END POSTS POURED MONOLITHIC WITH THE SLAB SHALL HAVE FULL EMBEDMENT IN THE SLAB.
NOTE: STEEL SHALL BE PRIMERED AND PAINTED WHITE UNLESS OTHERWISE SPECIFIED.

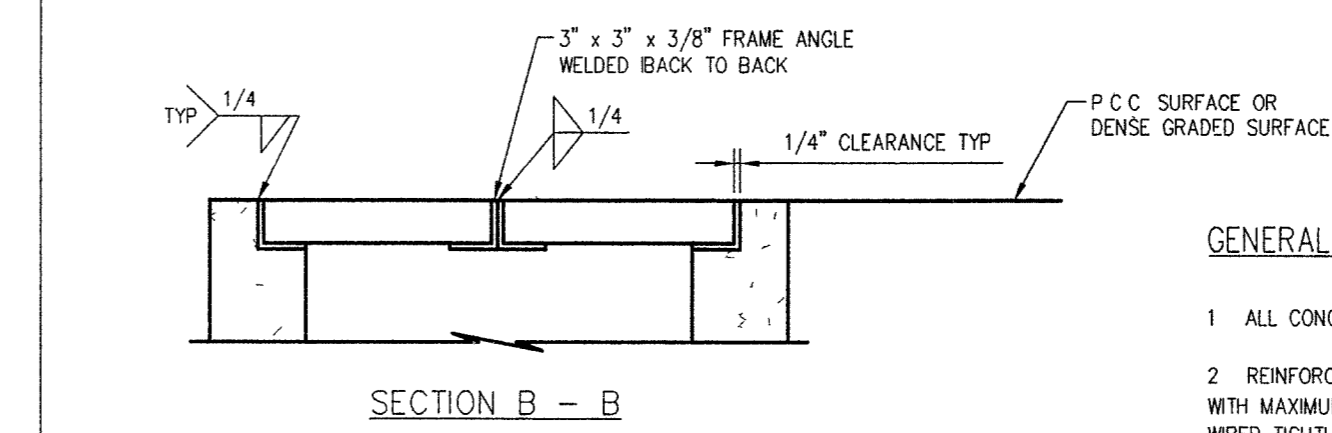
SECTION A-A



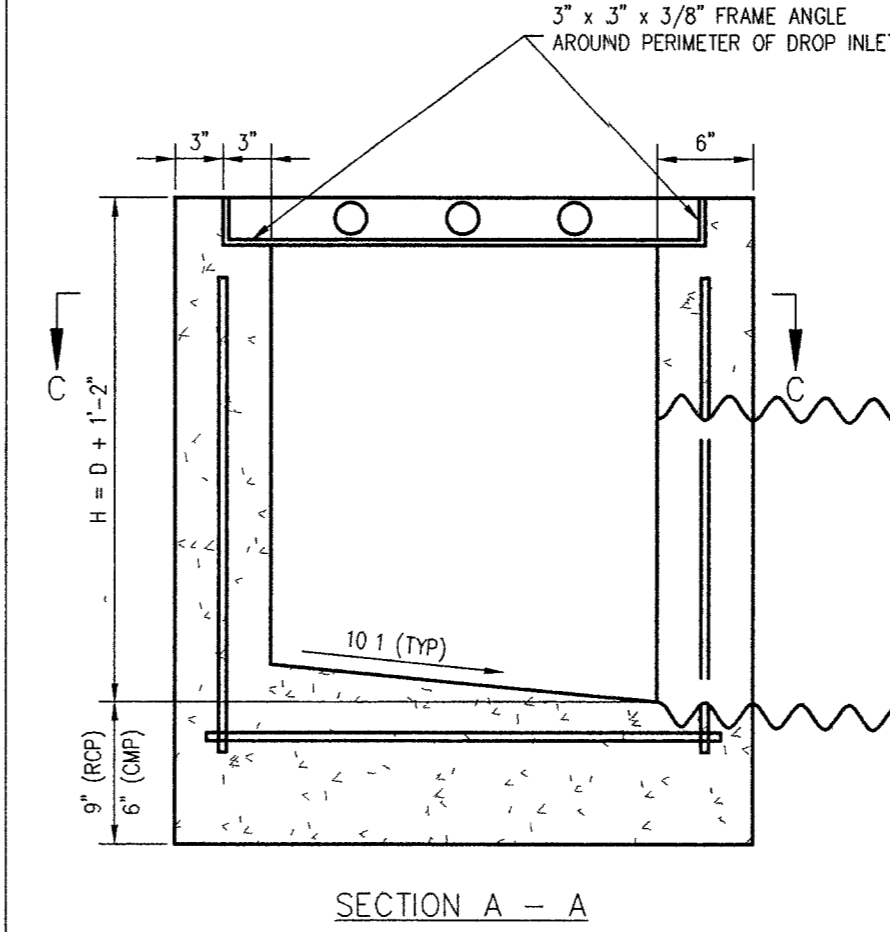
A. THRU-LOT DRAIN (WROUGHT IRON FENCE DETAIL)
NOT TO SCALE



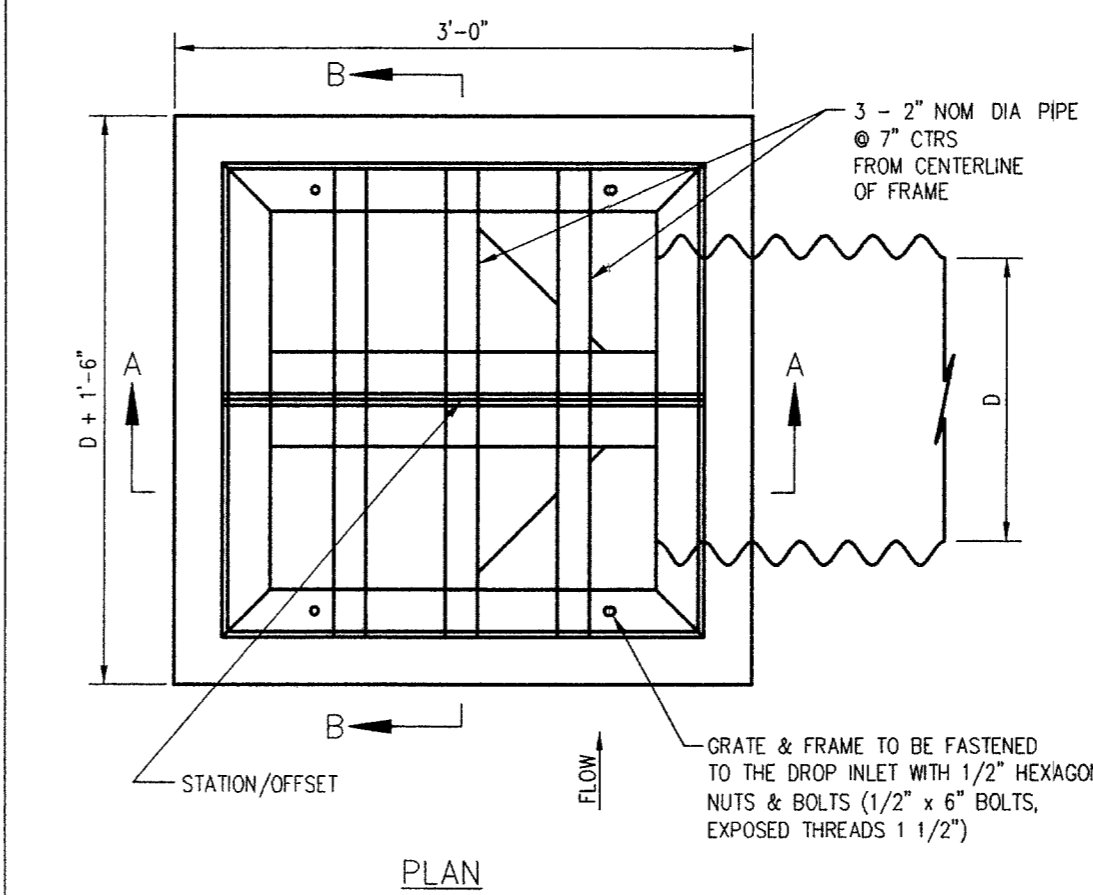
H. 25' LWWD EASEMENT
NOT TO SCALE



SECTION B - B



SECTION A - A



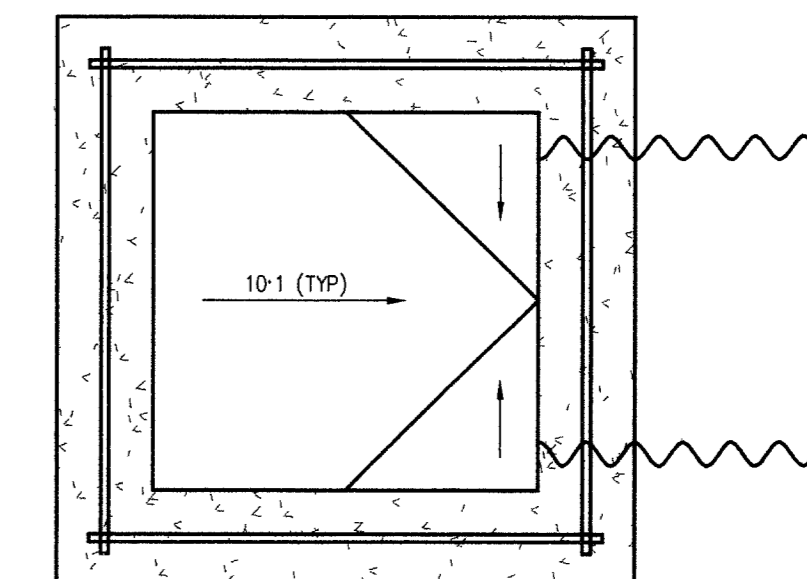
E. TYPE 2A DROP INLET
NOT TO SCALE

GENERAL NOTES

- ALL CONCRETE SHALL BE CLASS A OR AA
- REINFORCING STEEL SHALL BE NO. 4 BARS WITH MAXIMUM SPACING AT 18" CENTERS. WIRE TIGHTLY AT ALL INTERSECTIONS AND EMBEDDED 2" CLEAR OF ALL CONCRETE SURFACES
- EXPOSED EDGES OF CONCRETE SHALL BE CHAMFERED 1"
- STRUCTURAL STEEL WEIGHT INCLUDES THE 2" PIPE, STANDARD WEIGHT, AND THE 3" x 3" x 3/8" FRAME ANGLES
- FOR 2" PIPE SEE ASTM A53
- STATION / OFFSET DISTANCE LISTED IN PLANS IS MEASURED TO THE CENTER OF GRATE

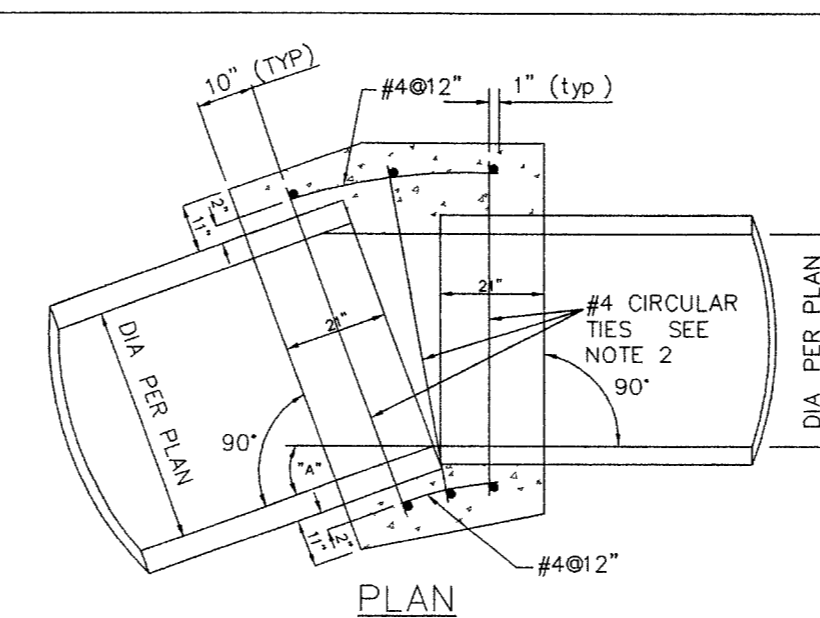
R/C P SIZE	CONCRETE CU YD	REINFORCING LB	STRUCTURAL STEEL LB
18"	0.68	40	120
24"	0.84	45	132
30"	0.99	60	145
36"	1.17	65	158
42"	1.35	70	170

C/P SIZE	CONCRETE CU YD	REINFORCING LB	STRUCTURAL STEEL LB
18"	0.62	39	120
24"	0.77	44	132
30"	0.93	59	145
36"	1.11	64	158
42"	1.29	69	170



SECTION C - C

NOT TO SCALE N.D.O.T R-421



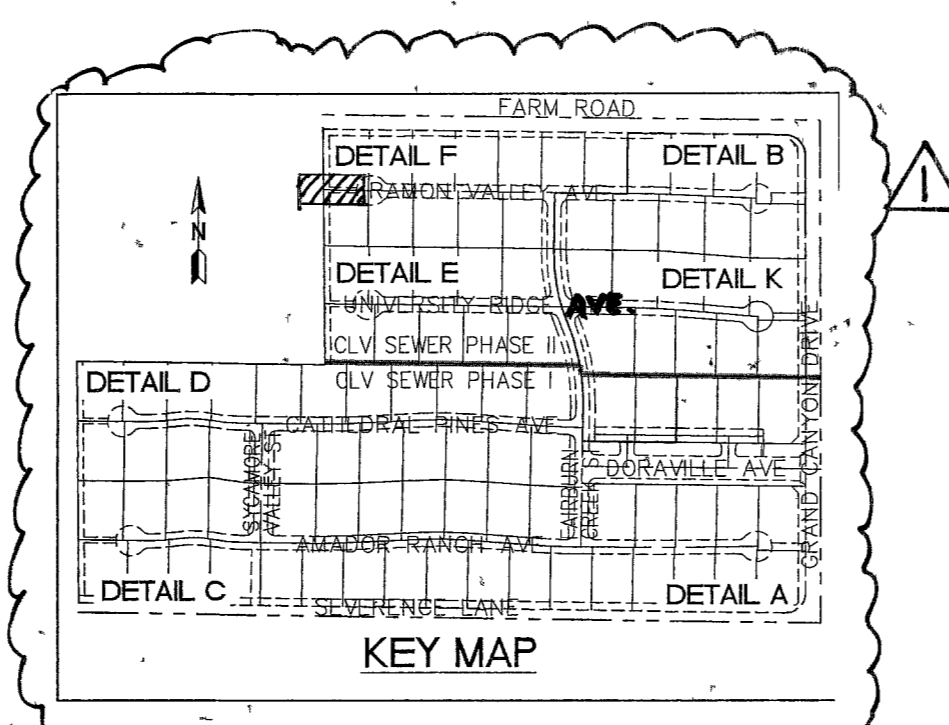
G. CONCRETE COLLAR DETAIL
NOT TO SCALE

CIRCULAR TIES:

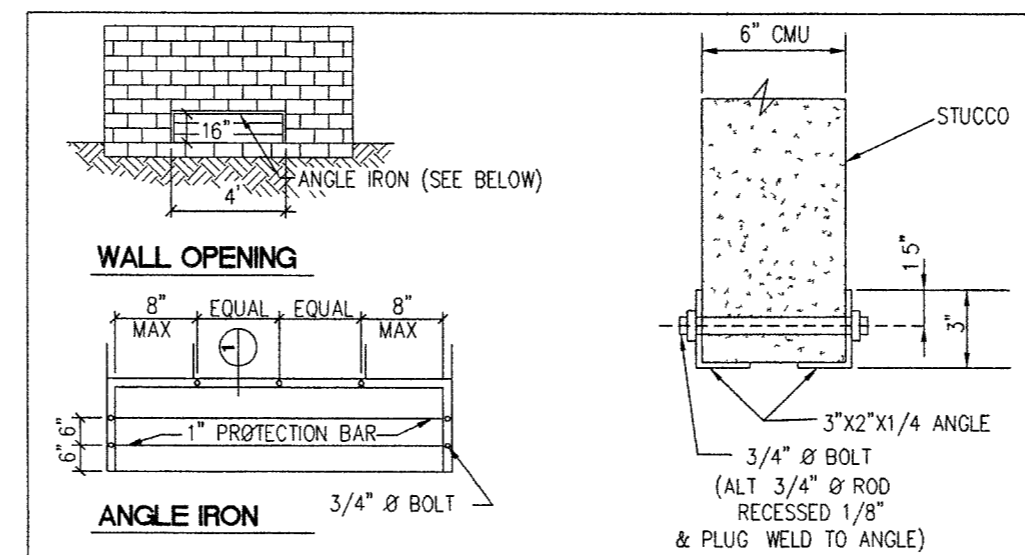
PIPE DIAMETER	SPACE BETWEEN PIPE EXTREMITIES	NO. OF CIRCULAR TIES
21" or less	2 1/2"	3
24" to 30"	2 1/2" or less	3
33" to 57"	2 1/2" or less	4
60" to 66"	2 1/2" or less	5

NOTES:

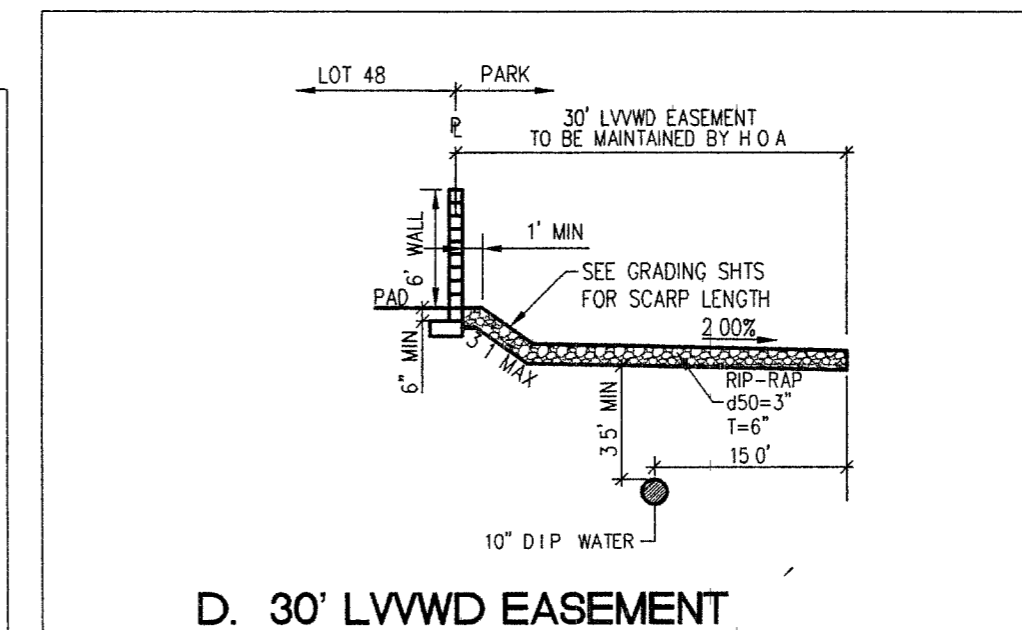
- WHERE THE SLOPE OF THE UPSTREAM PIPE IS GREATER THAN THE SLOPE OF THE DOWNSTREAM PIPE, JOIN SOFFITS. WHERE THE SLOPE OF THE UPSTREAM PIPE IS LESS THAN THE SLOPE OF THE DOWNSTREAM PIPE, JOIN INVERTS
- WHERE THE SPACE BETWEEN THE PIPE EXTREMITIES EXCEEDS 2 1/2 INCHES, THE NUMBER OF CIRCULAR TIES SHALL BE INCREASED TO MAINTAIN A MAXIMUM SPACING OF 6 INCHES CENTER TO CENTER. CIRCULAR TIES SHALL HAVE A DIAMETER 5 INCHES GREATER THAN THE OUTSIDE DIAMETER OF THE LARGER PIPE



KEY MAP



C. BLOCK WALL OPENING
NOT TO SCALE



D. 30' LWWD EASEMENT
NOT TO SCALE

APPROVED FOR CONSTRUCTION

7/11/08
DATE
LAS VEGAS VALLEY WATER DISTRICT
PROJECT # H10887

SLATER HANIFAN GROUP
CONSULTING ENGINEERS & PLANNERS
5740 S. ARVILLE STREET #216, LAS VEGAS, NV 89118
PHONE (702) 284-5300 FAX (702) 284-5399

NO.	DESCRIPTION	DATE	BY	APP.
1	REVISED ESTIMAP	4/10/08	J. STEADHAM	

CLARK COUNTY, NEVADA
SECTION 18
TOWNSHIP 18 SOUTH
RANGE 60 EAST, M.D.M.

PINNACLE HOMES
SABLE CREEK
DRAINAGE CHANNEL SECTIONS AND DETAILS

DATE: 07/07/05
DRAFTER: DMB
DESIGNER: DMB
CHECKED: TJS
PROJECT NO.
PIN0402-001

REGISTERED PROFESSIONAL ENGINEER - STATE OF NEVADA
TODD J. STEADHAM
Exp. 06/30/2008
CIVIL
No. 15292

D-4
SHEET 40 OF 44
CLV DWG # 307V930
CC HTE# 05-7995

8/17/07 92143