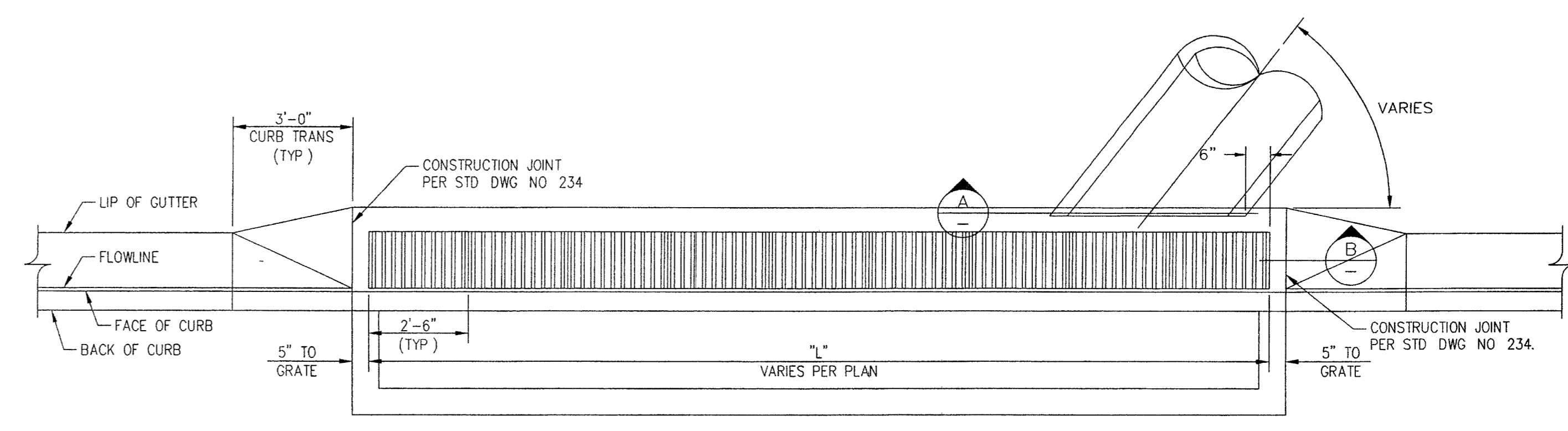
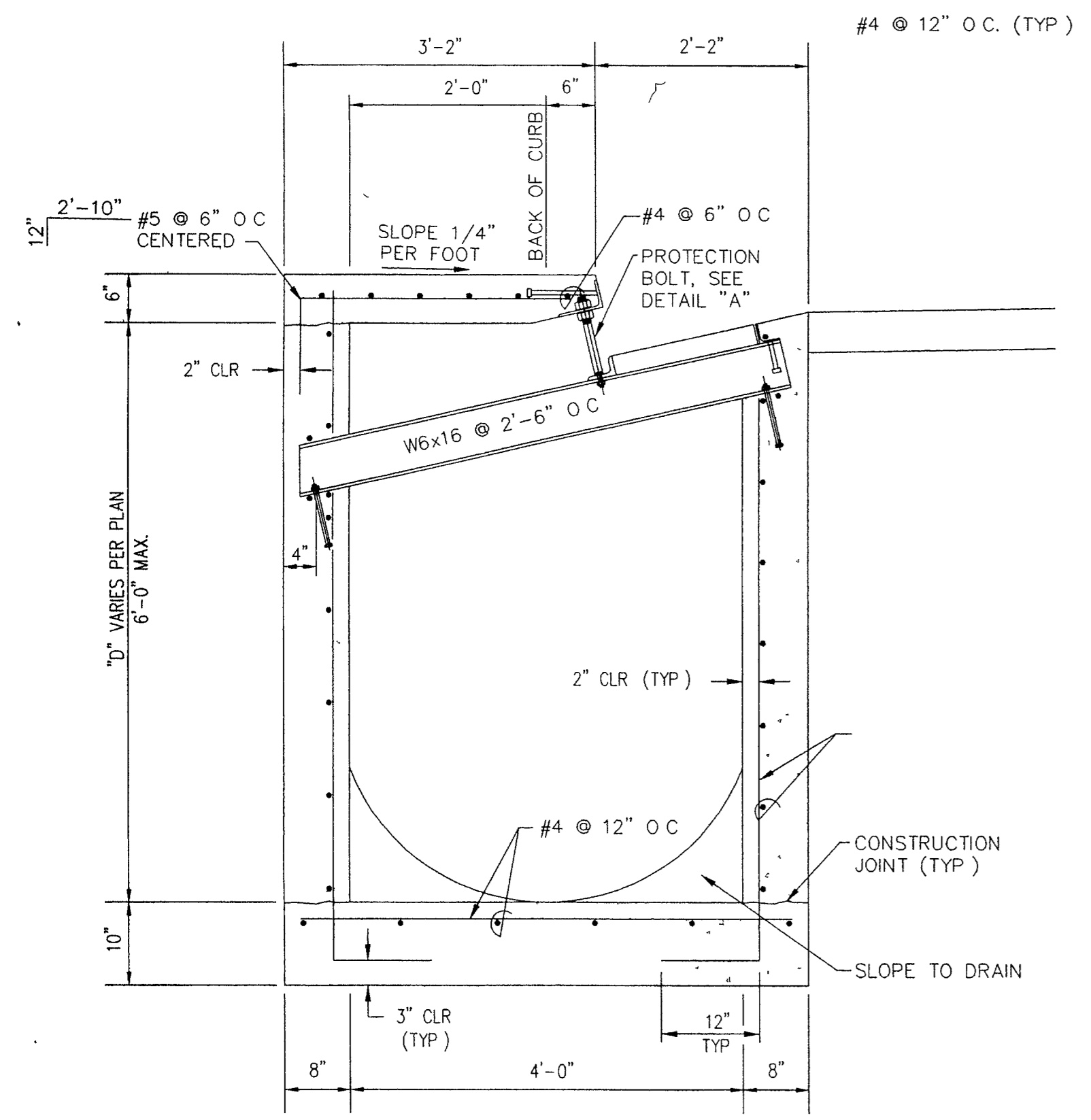


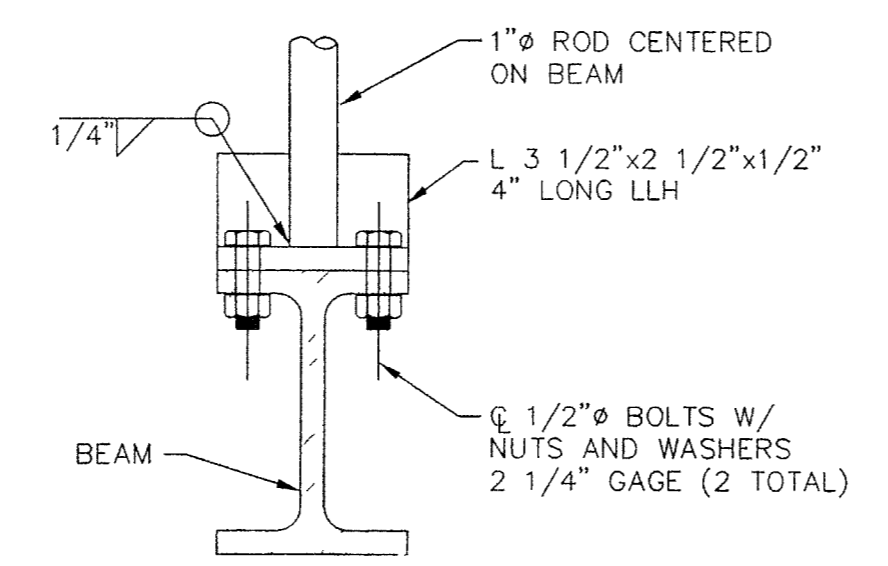
**SECTION "A"**  
 SCALE 3/4"=1"



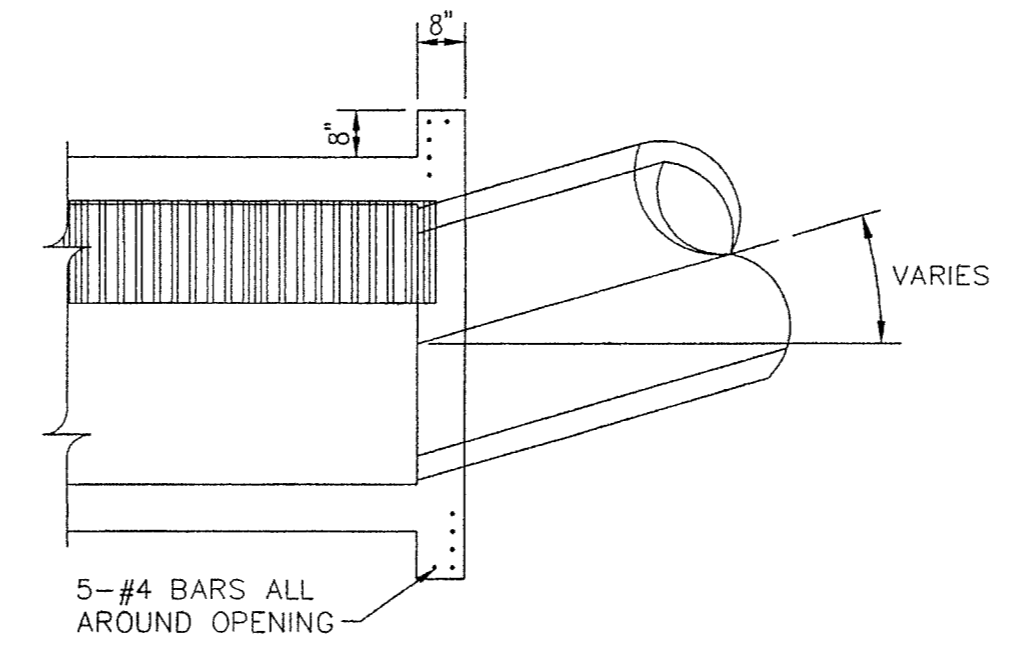
**DROP INLET LAYOUT PLAN**  
 SCALE 3/8"=1"



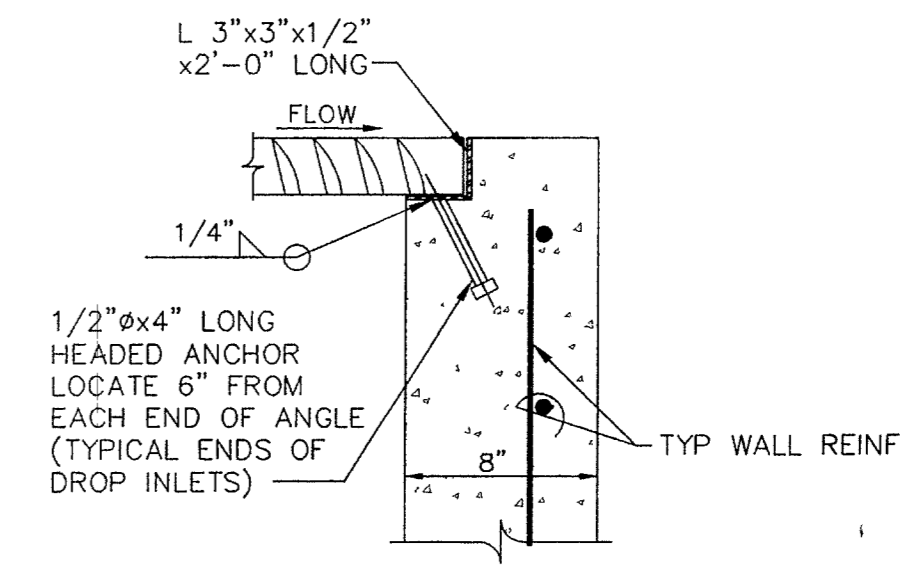
**TYPE "CM" DROP INLET SECTION**  
 SCALE 3/4"=1"



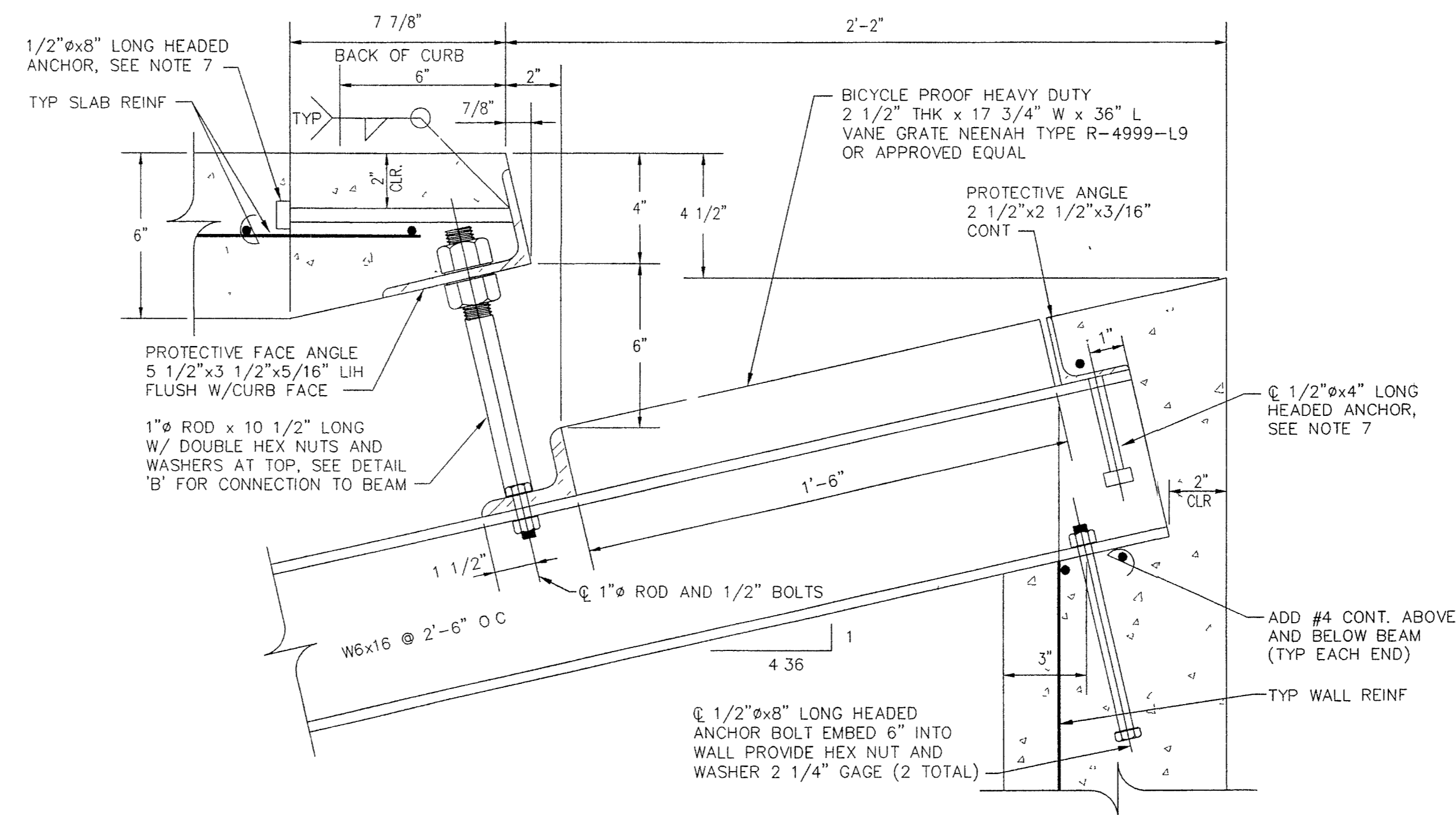
**DETAIL "B"**  
 SCALE 3"=1"



**ALTERNATE CONNECTION DETAIL**  
 SCALE 3/8"=1"



**SECTION "B"**  
 SCALE 1-1/2"=1"



**PROTECTIVE FACE & ROD - DETAIL "A"**  
 SCALE 3"=1"

**NOTES:**

- 1 ALL EXPOSED METALS SHALL BE HOT DIP GALVANIZED AFTER FABRICATION
- 2 PROVIDE 1/2" (MIN) CLEARANCE ALL AROUND THE STEEL BEAM, DRY PACK AFTER INSTALLATION
- 3 WHEN REQUIRED BY LENGTH OF OPENING, PLATE ANGLE MAYBE DELIVERED IN SECTIONS AND BUTT WELDED IN PLACE
- 4 ALL GALVANIZING DAMAGED BY WELDING SHALL RECEIVE TWO COATS OF GALVALLOY OR EQUAL
- 5 CONCRETE SHALL BE MODIFIED CLASS DA
- 6 ANGLE ANCHORS SHALL BE EMBEDDED MIDPOINT IN EACH ENDWALL AND EVENLY SPACED (MAXIMUM SPACING OF 2')

NO.	DESCRIPTION	DATE	BY	APP.

CLARK COUNTY, NEVADA  
 PINNACLE HOMES  
 SABLE CREEK  
 DROP INLET DETAILS

SECTION 18  
 TOWNSHIP 18 SOUTH  
 RANGE 60 EAST, M.D.M.  
 DATE: 06/20/05  
 DRAFTER: DMB  
 DESIGNER: DMB  
 CHECKED: TJS  
 PROJECT NO.  
 PIN0402-001



**D-5**  
 SHEET 41 OF 44  
 CLV DWG # 3071930  
 CC HTE# 05-7995

File: J:\V\0402-500s\Draw\Improva\0402-DETAIL.dwg Jun 20, 2005 13:43

8768 Rem 9214#