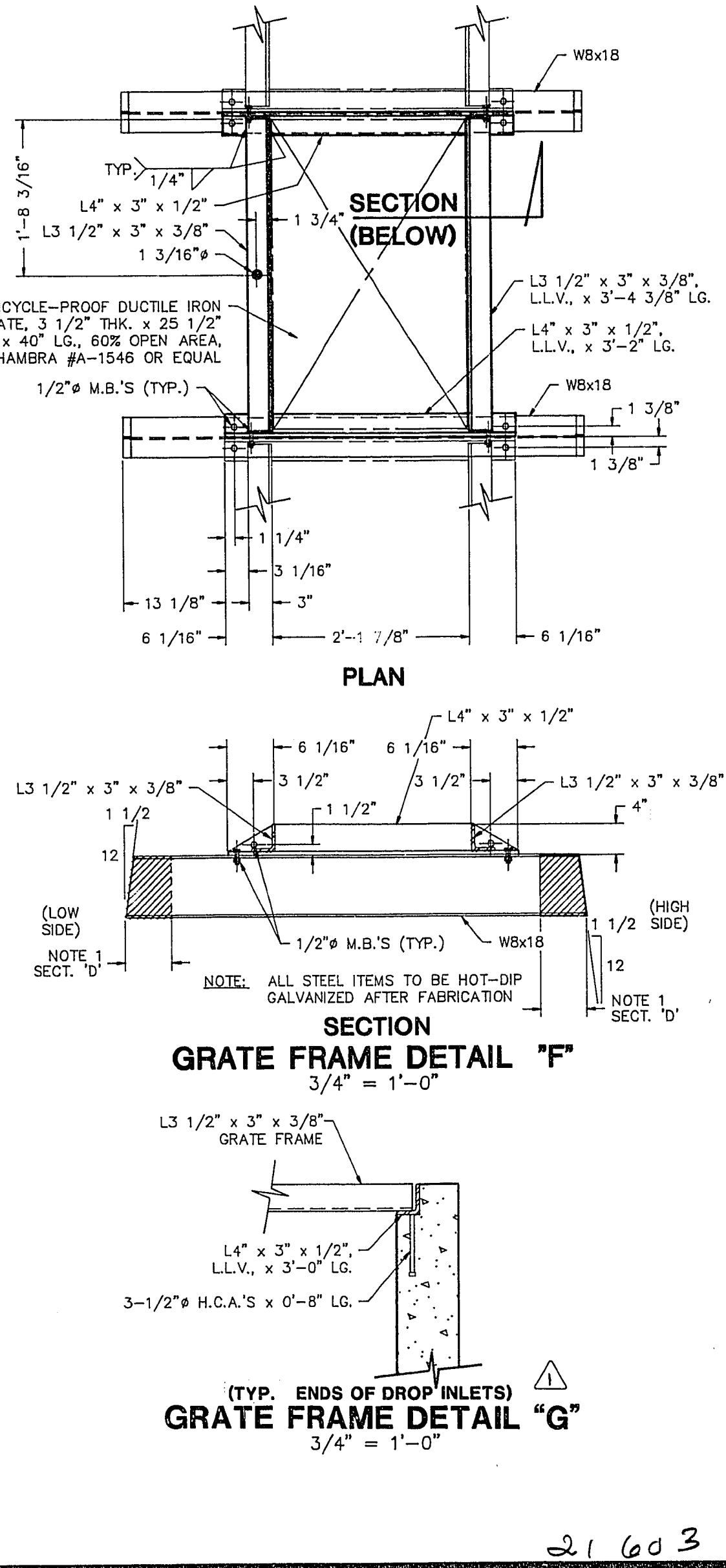
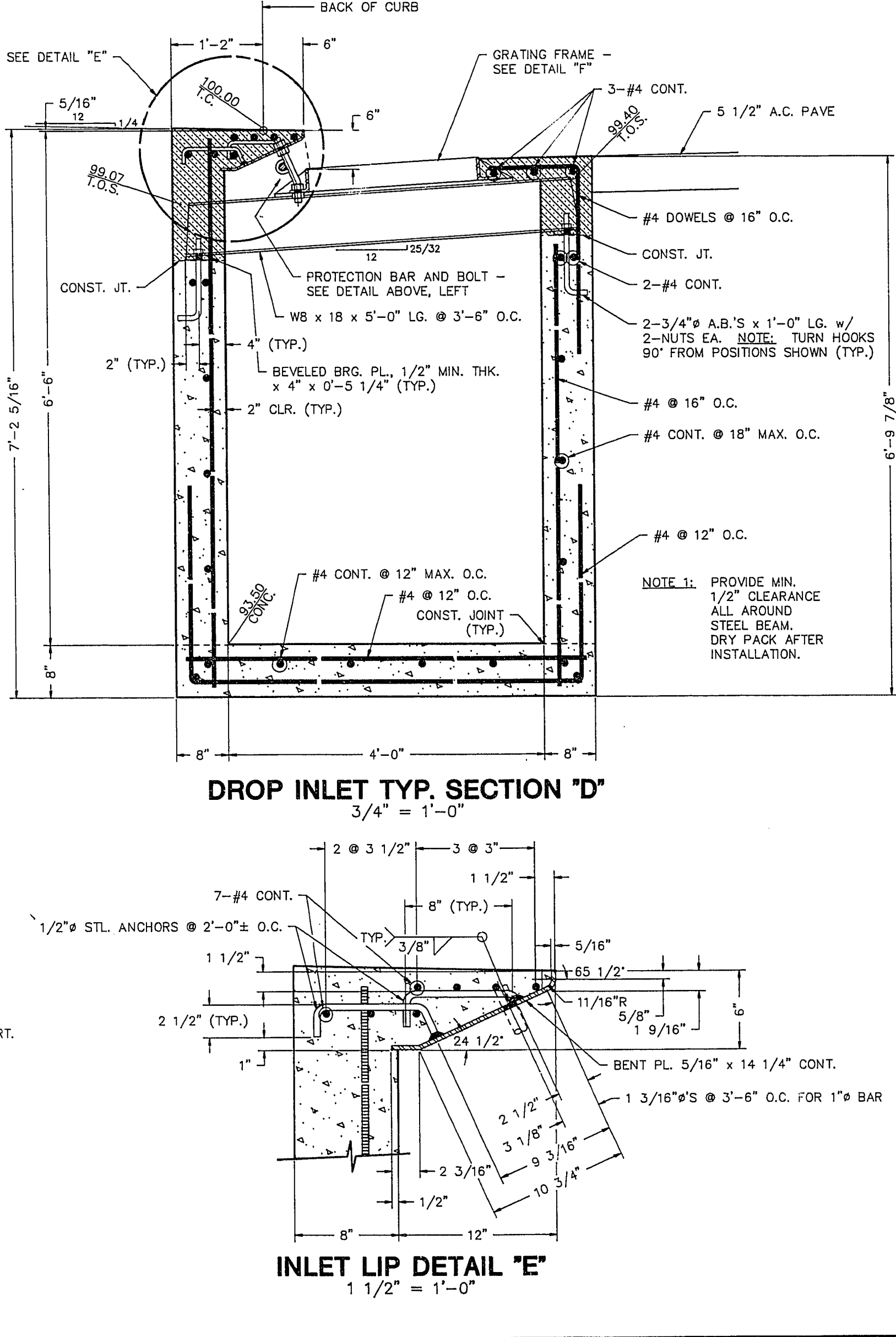
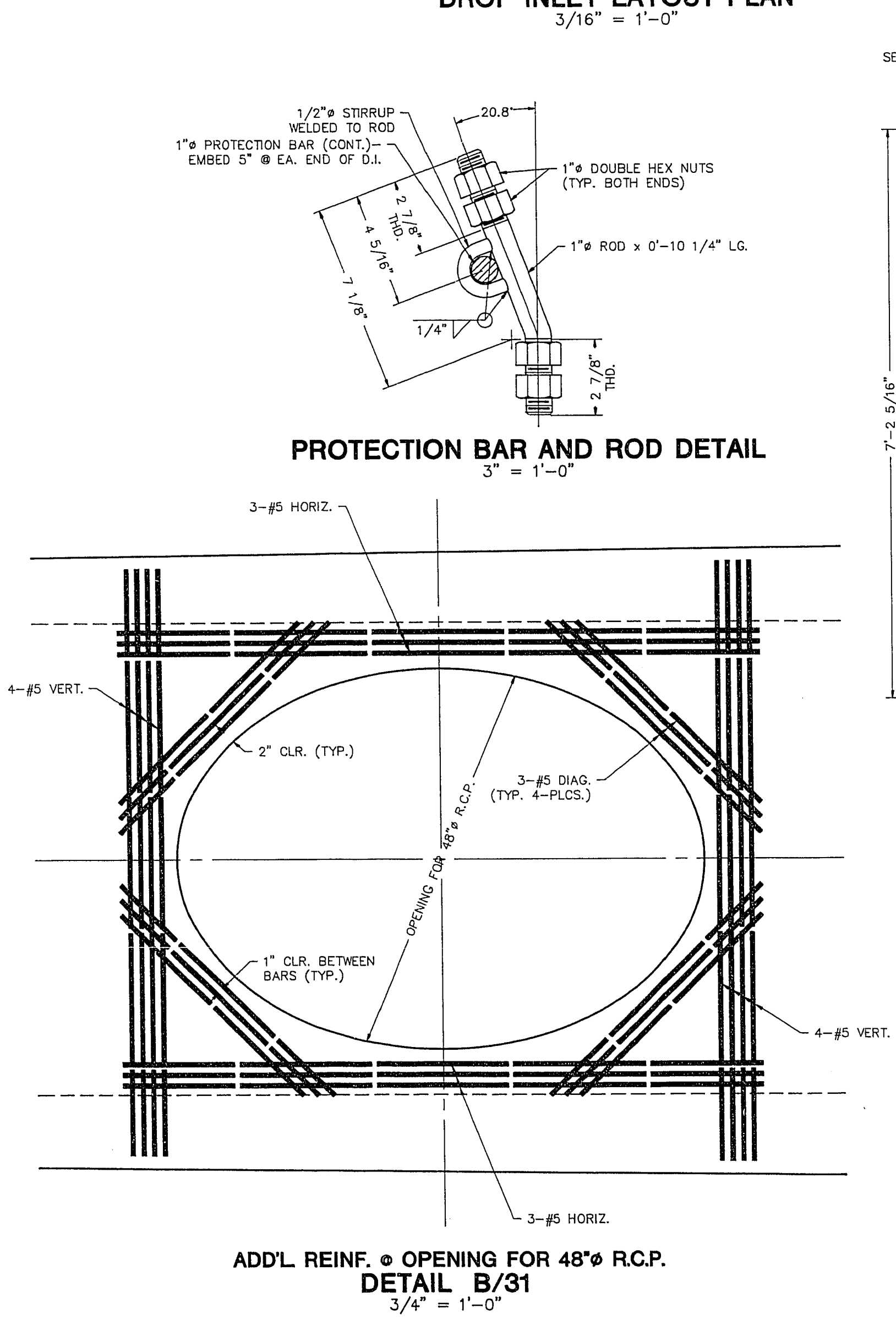
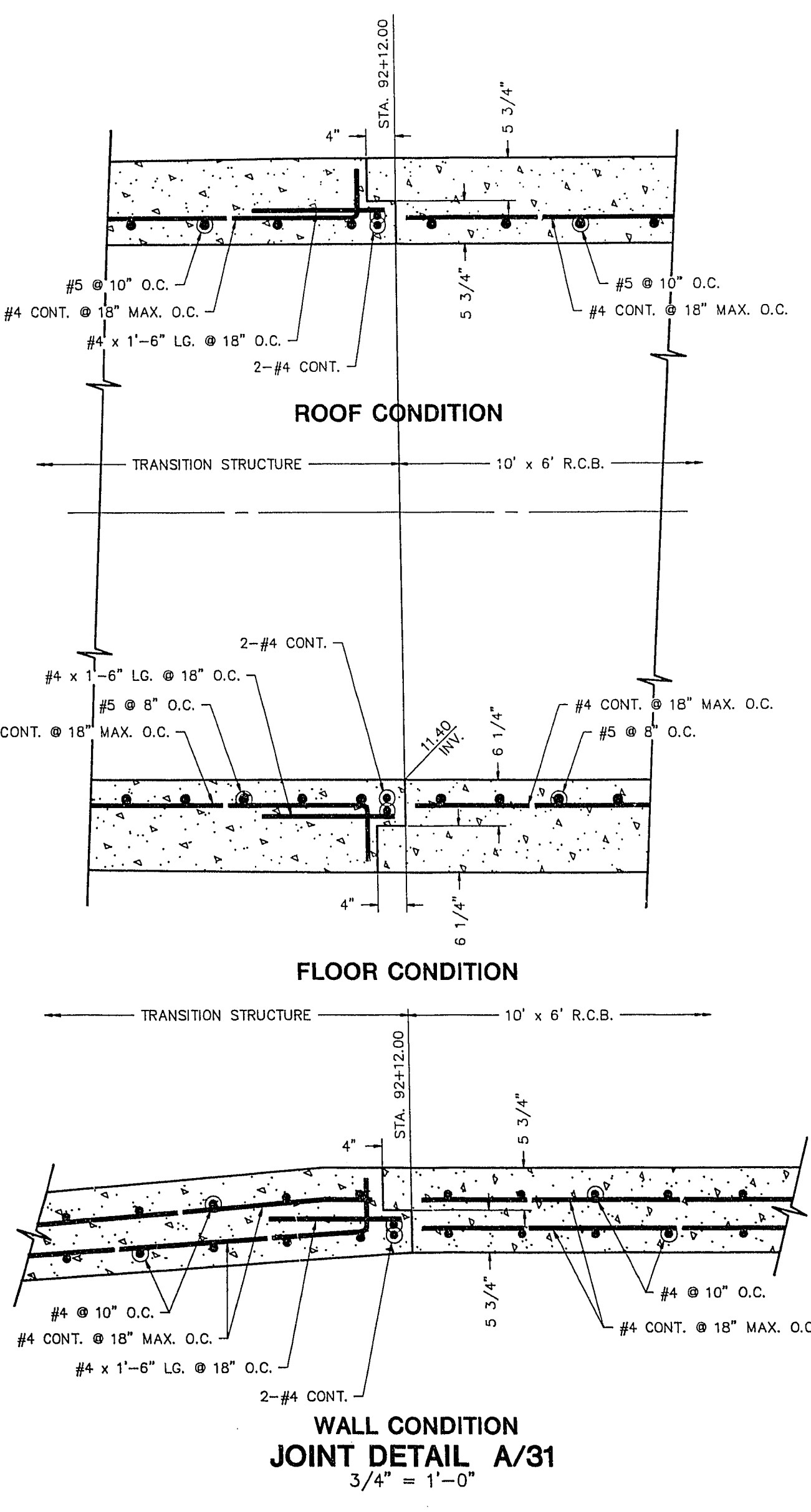
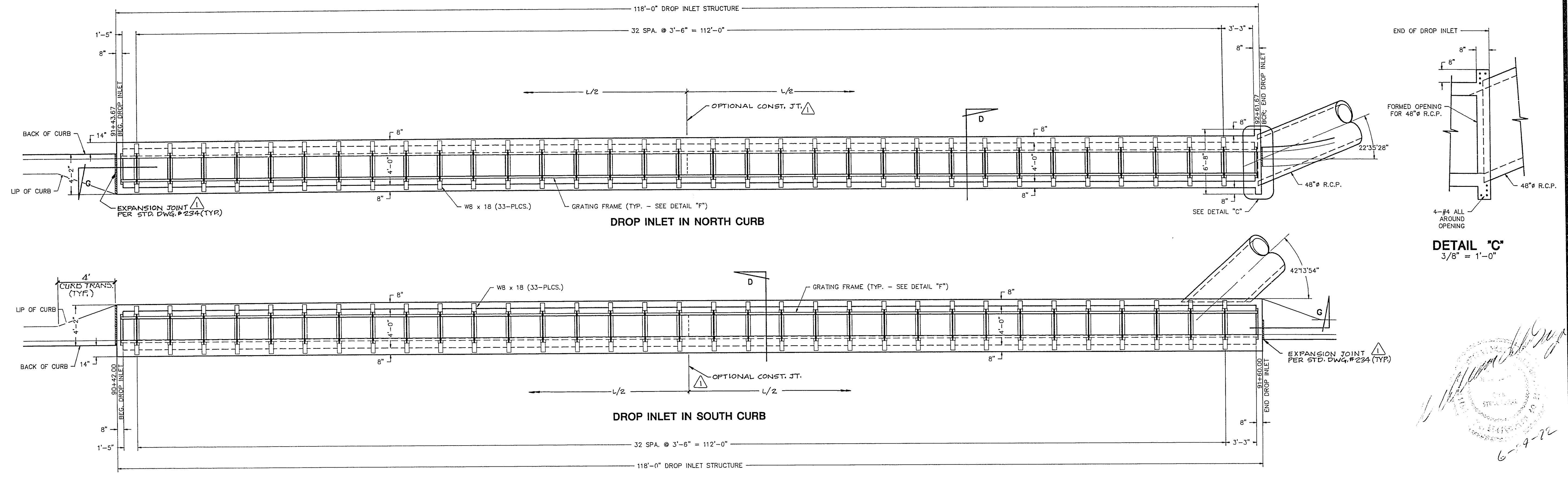


SCALE: 3/16" = 1'-0"



REVISION	DATE	BY	APPROVAL
	08/04/92	DSR	

ES ENGINEERS & ARCHITECTS, INC.
100 W. WASHINGTON BLVD.
TAMPA, FLORIDA 33601

SUBMITTED BY: *[Signature]*

9/24/92

STORM DRAINAGE STRUCTURE DETAILS

S.I.D. No. 1427 - SAHARA AVENUE (DURANGO DRIVE TO RAINBOW BOULEVARD)

W.O. #: 130-9520
BY: DSR
DATE: JUNE 1992
SCALE: AS NOTED

C.L.V. DRAWING NO. 32
107-V-2036 43