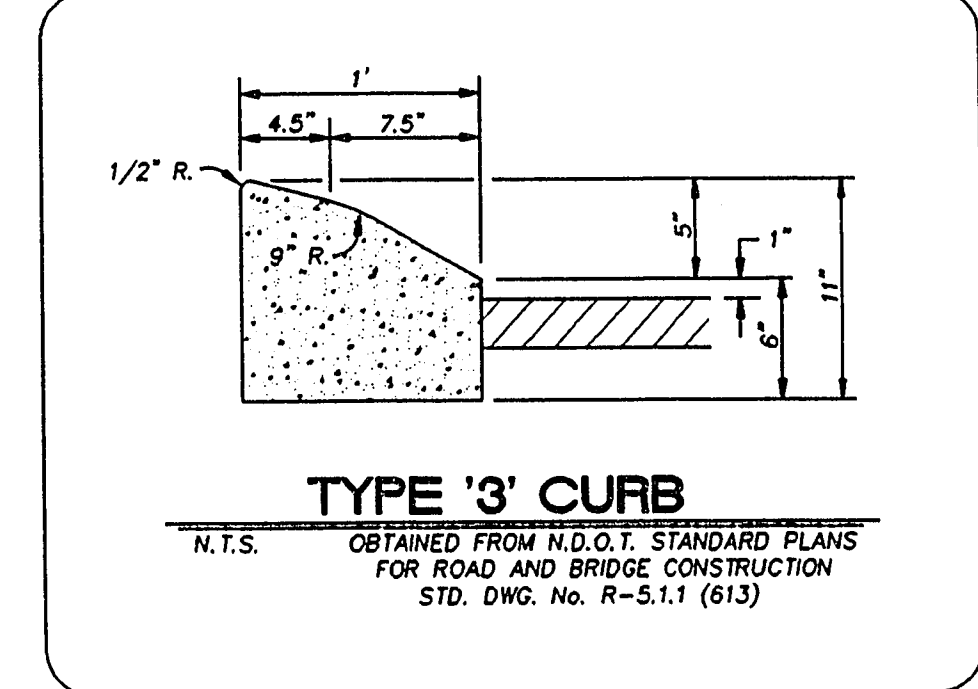
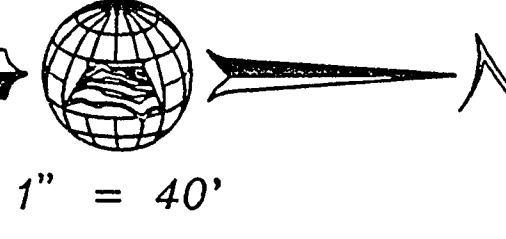
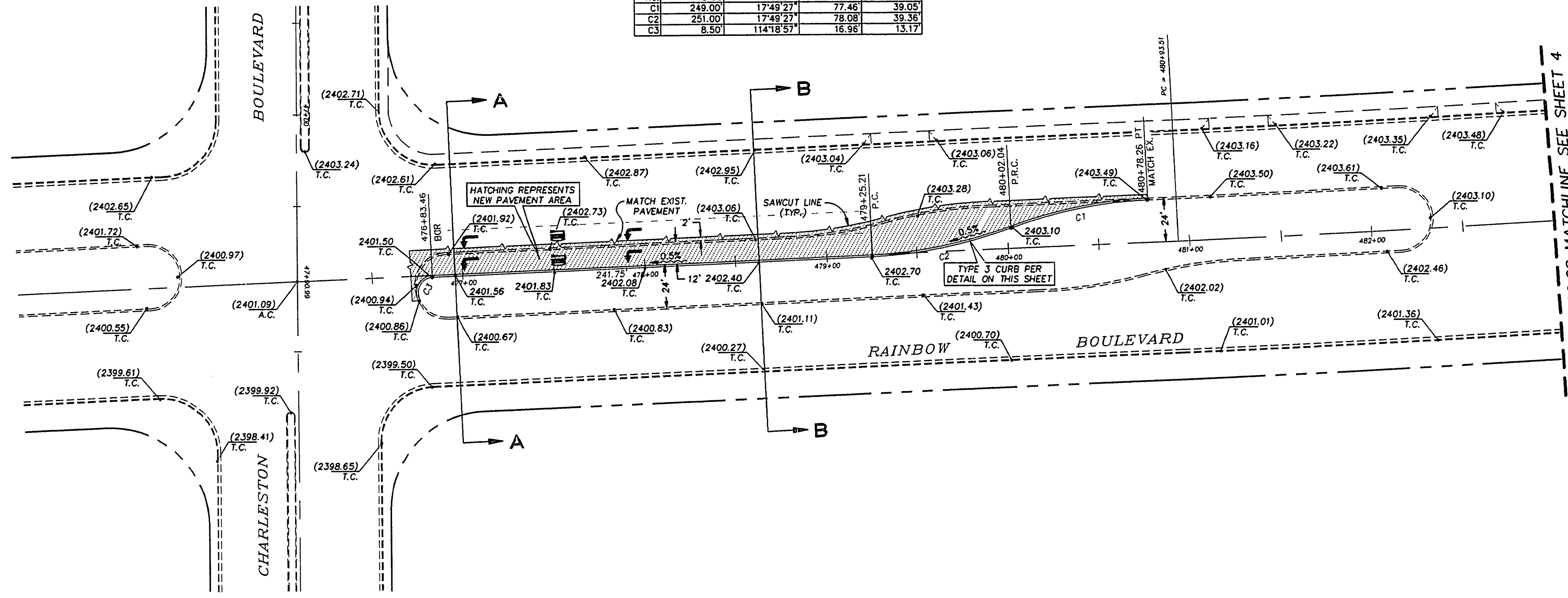


Avoid cutting underground utility lines. If in doubt, Call before you Dig
1-800-227-2600

BACK OF CURB CURVE DATA TABLE

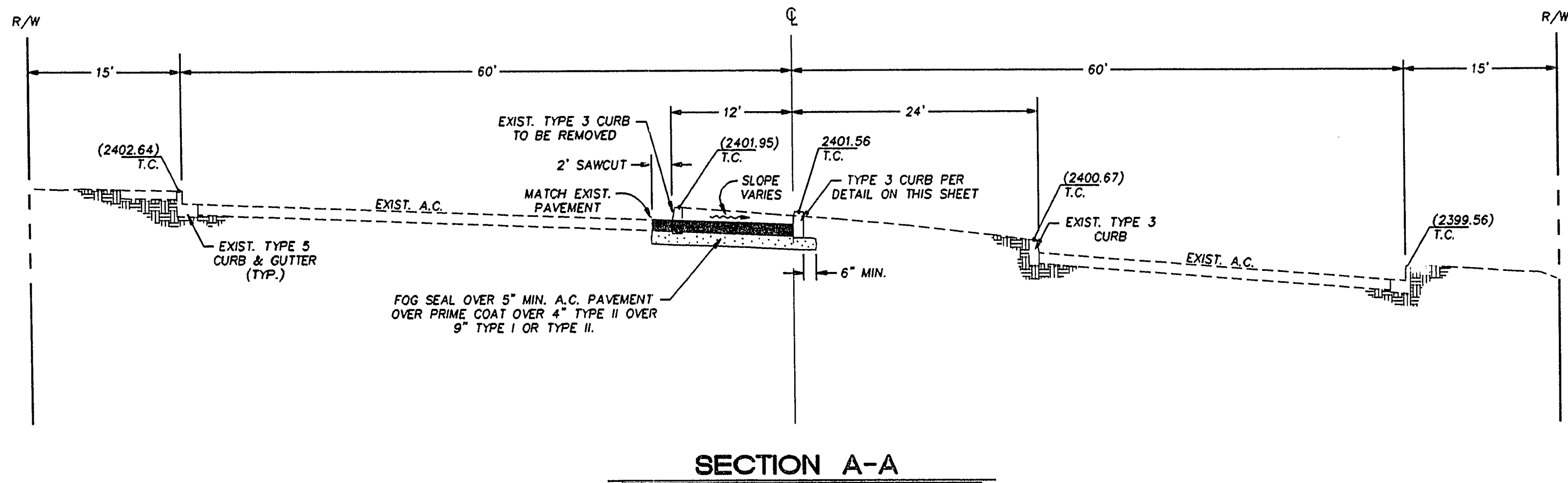
No.	RADIUS	DELTA	LENGTH	TANGENT
C1	249.00'	17°49'27"	77.46'	39.05'
C2	251.00'	17°49'27"	78.08'	39.38'
C3	8.50'	114°18'57"	16.98'	13.17'



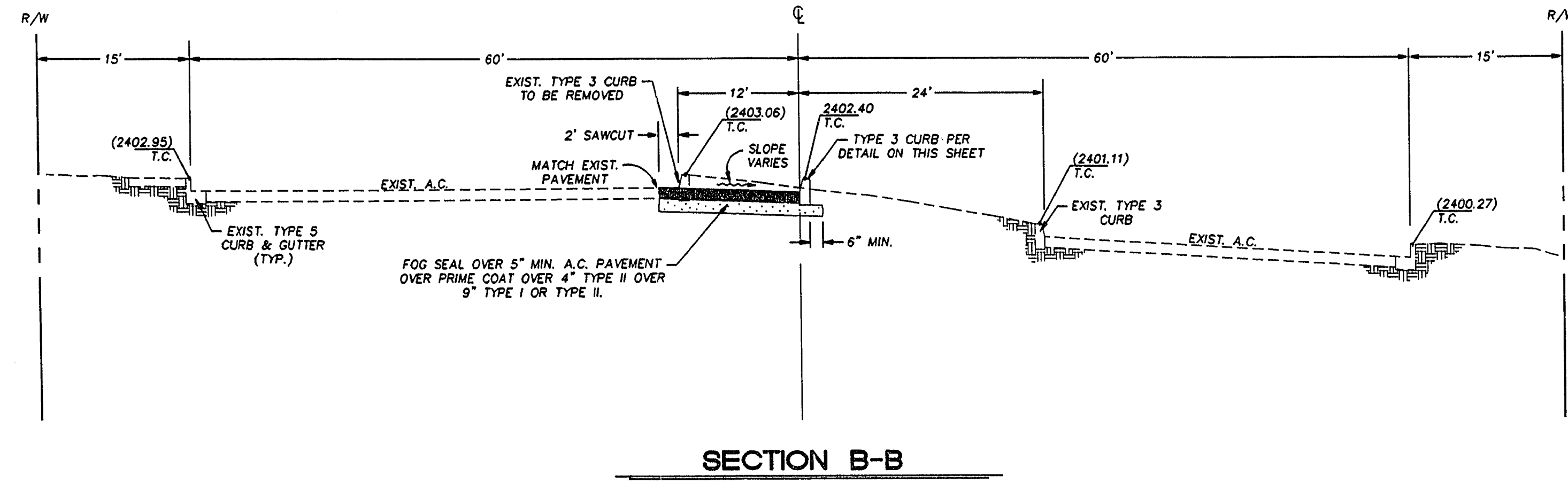
QUANTITIES (THIS SHEET ONLY)

5" A.C. PAVEMENT	630	S.Y.
TYPE '3' CURB	415	L.F.
TYPE I AGGREGATE BASE	170	C.Y.
TYPE II AGGREGATE BASE	76	C.Y.
REMOVE EXIST. CURB	422	L.F.
REMOVE EXIST. PAVEMENT	1,118	S.F.
SAWCUT	495	L.F.

FOR GENERAL REFERENCE ONLY



SECTION A-A



SECTION B-B

Date	Appr.	Instr.	Drawn	Scale
				1" = 40'
				File No.
				356MED
				Date
				09-03-92
				Job Number
				7147.336
				Sheet Number
				3 OF 4

Church Engineering of Nevada, Inc.
6600 W. Charleston Blvd.
Suite 140
Las Vegas, NV 89102
(702) 879-0244

RAINBOW PLAZA II
A COMMERCIAL PROPERTY
CITY OF LAS VEGAS, CLARK COUNTY, NEVADA

RAINBOW BOULEVARD
MEDIAN ALTERATIONS

