

RACEL STREET  
(PUBLIC)

**CONSTRUCTION NOTES**

① CONSTRUCT 30" "ROLL" TYPE CURB & GUTTER PER STD. DWG. NO. 217A

**NOTE:**

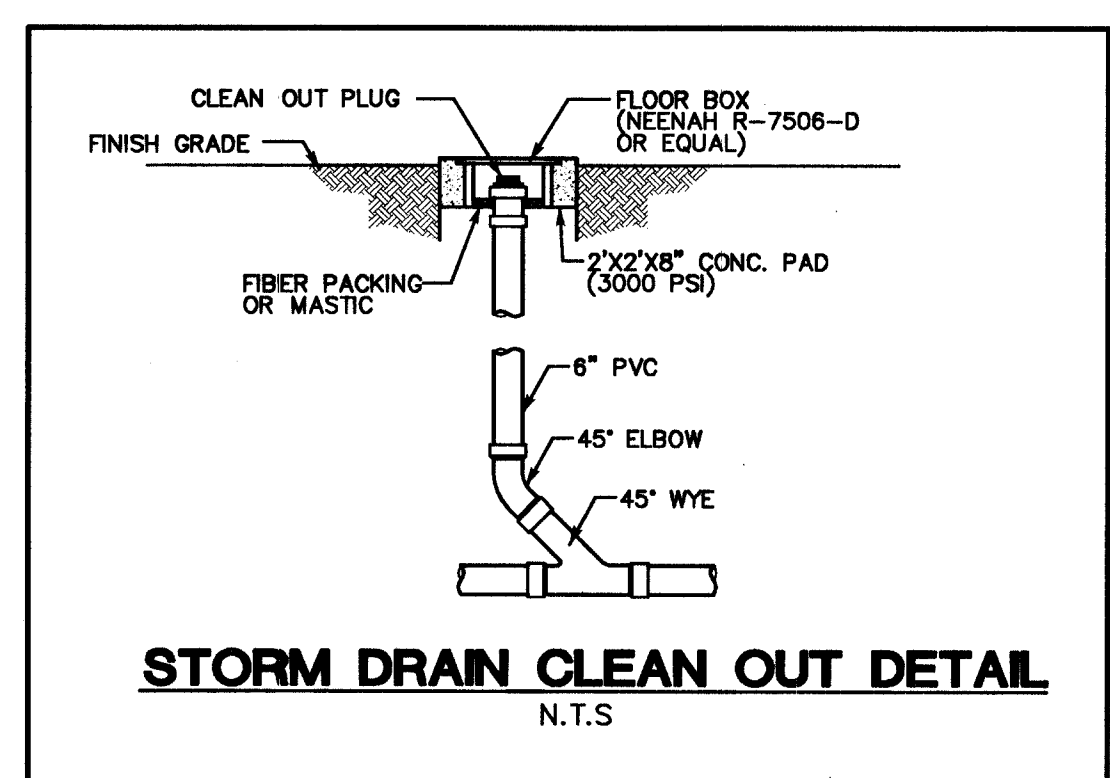
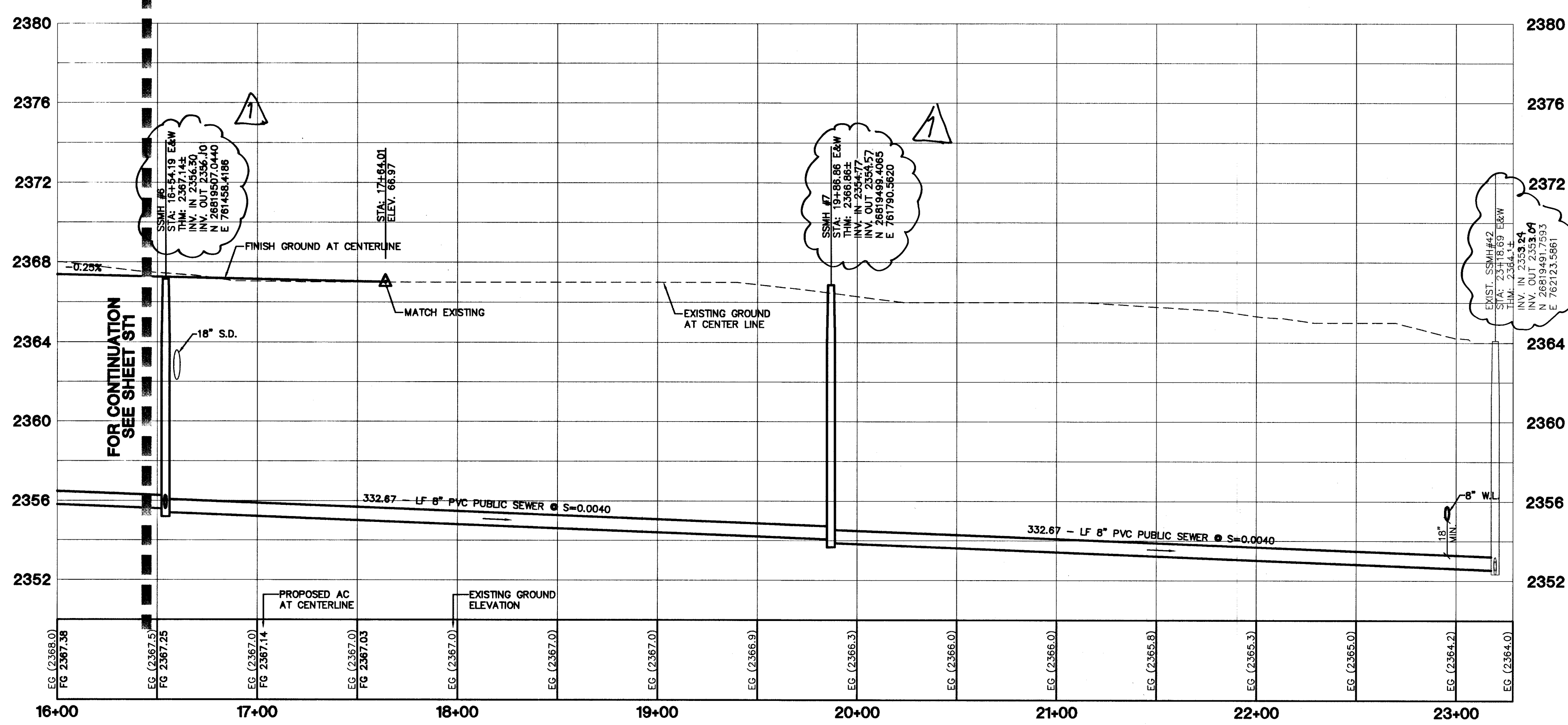
1. FOR DETAILS AND SECTIONS SEE SHEET DT1  
2. FOR SEWER AND MANHOLE SCHEDULE AND QUANTITIES ESTIMATE SEE SHEET C2.

**CONTRACTOR NOTE:**

CONTRACTOR SHALL VERIFY HORIZONTAL AND VERTICAL LOCATION OF EXISTING IMPROVEMENTS UTILITIES AND NOTIFY THE DESIGN ENGINEER IMMEDIATELY OF ANY DISCREPANCIES PRIOR TO CONSTRUCTION.

**PRIVATE STREET NOTE:**

PRIVATE STREETS ARE P.U.E.S.C.L.V. PUBLIC SEWER EASEMENTS, AND PUBLIC DRAINAGE EASEMENT ARE TO BE PRIVATELY MAINTAINED.



Avoid overhead power line contact. It's costly.

**Call before you Overhead**  
1-702-227-2928

Avoid cutting underground utility lines. It's costly.

**Call before you Dig**  
1-800-227-2600

Avoid hitting underground traffic signal systems and street light systems.

**Call before you Underground**  
1-702-455-7511  
CLARK COUNTY TRAFFIC OPERATIONS AND  
1-702-228-6811  
LAS VEGAS AREA COMPUTERIZED TRAFFIC SYSTEM

**BENCHMARKS**

PROJECT DATUM: NORTH AMERICAN VERTICAL DATUM OF 1988 (NAV88)

CLARK COUNTY BENCHMARK: BLV90:14N66 NAV88 ELEVATION: 720.144 METERS (2362.67 FEET)

CITY OF LAS VEGAS RIVET AND ROUND PLATE IN CONCRETE PAD. ±120' EAST OF MAVERICK ST. NEAR 6181 GRAND TETON DR.

**BASIS OF BEARINGS**

THE BASIS OF BEARINGS FOR THIS PROJECT IS SOUTH 88°09'45" EAST, BEING THE NORTH LINE OF THE SOUTHWEST QUARTER (SW 1/4) OF SECTION 11, TOWNSHIP 19 SOUTH, RANGE 60 EAST, M.D.M., CLARK COUNTY, NEVADA, AS SHOWN ON A RECORD OF SURVEY ON FILE IN THE CLARK COUNTY, NEVADA, RECORDER'S OFFICE, IN FILE 73 AT PAGE 14.

DATE	BY	REVISION
2/9/04	DF	REVISE WATER LINE
1/9/04	DF	REVISE INVERTS OF S.S.

STERLING S. DEVELOPMENT  
CITY OF LAS VEGAS, NEVADA

2727 SOUTH RAINBOW BOULEVARD LAS VEGAS, NEVADA 89146-5148  
PH. (702) 873-7550 FAX (702) 392-2597

3365 S. CAMERON STE. # 200  
LAS VEGAS, NEVADA 89119  
(702) 871-6555

nevada CONSULTING ENGINEERS • PLANNERS • LAND SURVEYORS

STREET/SEWER PLAN AND PROFILE  
RACEL STREET

QUARTERHORSE ESTATES  
UNIT 1

DRAWN BY: 3/1/04

DESIGNED BY: 3/1/04

CHECKED BY: 3/1/04

PROJECT NO: 6294

SCALE: 1"=40' HORZ.  
1"=4' VERT.

PROFESSIONAL ENGINEER  
CLARK COUNTY REGISTERED  
No. 13956  
CIVIL

EXPIRES 06-30-05

SHEET  
ST2  
14 OF 17 SHEETS  
DRAWING NO.  
10744821